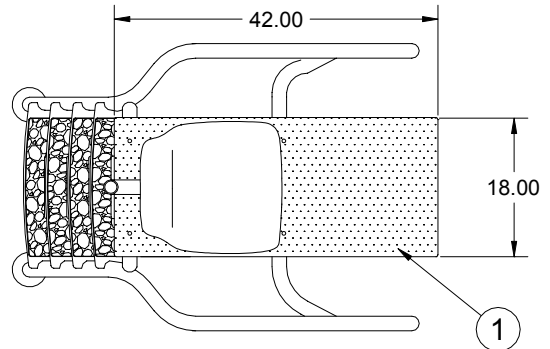
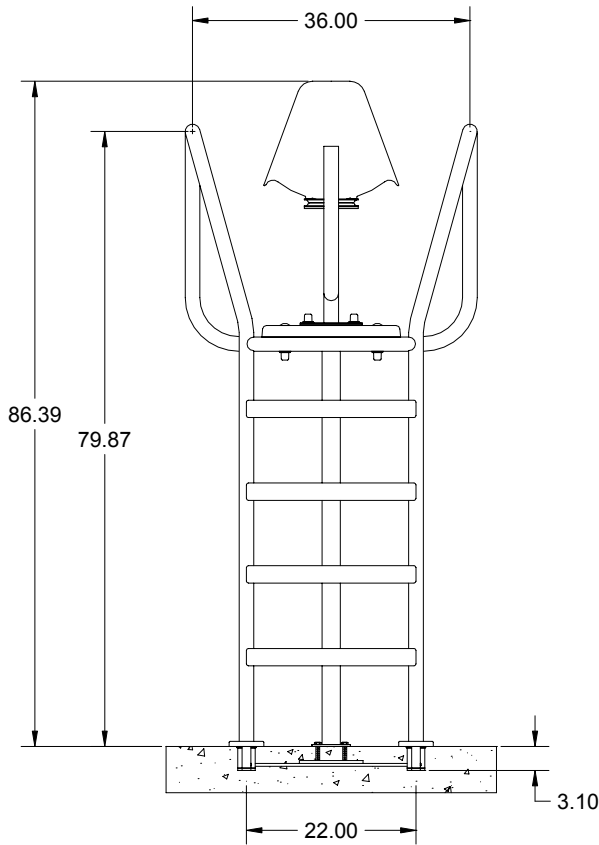


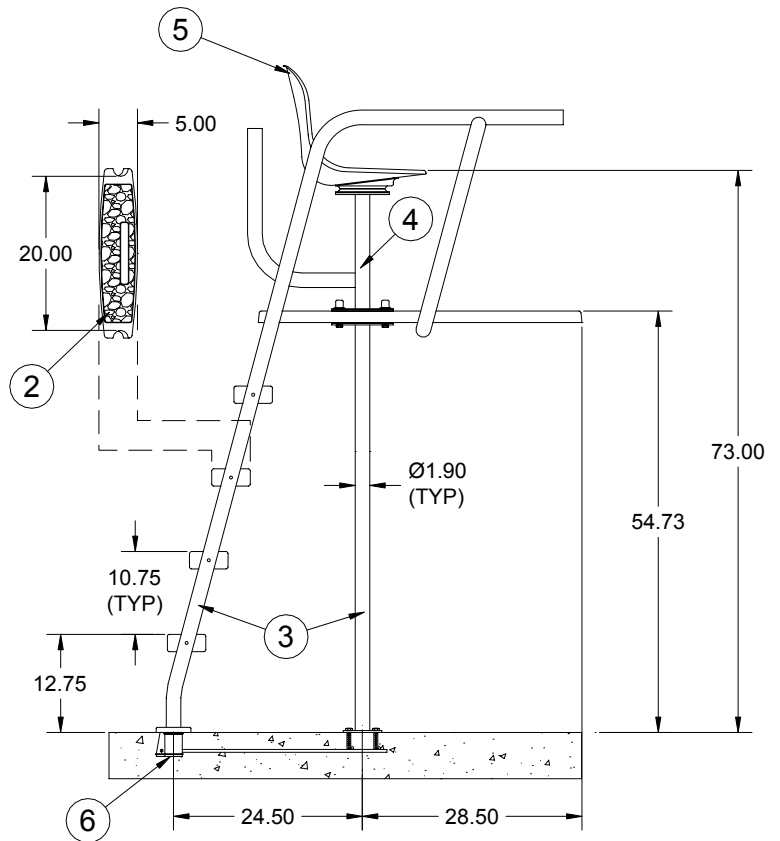
Guardian Lifeguard Stand



TOP VIEW



SIDE VIEW



BACK VIEW

NOTE: SETBACK DISTANCE FROM POOL EDGE TO BE DETERMINED BY LOCAL GOVERNMENT REGULATIONS. S.R. SMITH CANNOT GUARANTEE CUSTOMER'S CONCRETE OR THICKNESS.

Specification Number:	SRS-104		
Product Description:	Guardian Lifeguard Stand		
S.R. Smith Part Number:	UMLS-101	Scale:	NTS
Revision:	A	Date:	05/12/03
Written By:	T. Weil	Date:	05/12/03
Approved By:	B. Bisceglia	Date:	05/12/03
Page 1 of 2	Proprietary and confidential: The information contained in this specification is the sole property of S.R. Smith LLC. Any reproduction in part or whole without the written consent of S.R. Smith LLC is prohibited.		

S.R. Smith, LLC
P.O. Box 400, 1017 SW Berg Parkway
Canby, Oregon 97013
Tel: (888) 677-7776 (503) 266-2231
Fax: (503) 266-4334
www.srsmith.com

Product Name: Guardian Lifeguard Stand

Part Number: UMLS-101

General Notes:

The **Guardian Lifeguard Stand** is a moderate to tall lifeguard chair with an extended observation platform (footboard) and umbrella support. It is intended for semi-permanent installation in an imbedded jig at those facilities not requiring frequent removal or movement of lifeguard chairs.

Application:

Depending upon installation design and local codes, this model is suitable for use on commercial pools. Because movement of the stand is more difficult to accomplish, it is rarely considered suitable for use on competition pools. However, exceptions are made in those cases where intended use of the chairs are facilitated by their placement (such as judging activities) and where project design and local codes permit. Depending upon installation design, these stands may also be found to be ideal for use as judging and observation stands on tennis courts and at other sporting sites.

Specifications:

- 1 **Footboard:** The observation platform (footboard) of the Guardian Lifeguard Stand measures 1-5/8" x 18 x 42 (41.4mm x 457.2 x 1067) and is a solid laminated fir core covered with fiberglass-reinforced acrylic. The top surface is a non-skid sanded tread.
- 2 **Steps:** The four (4) steps are constructed of black molded plastic and are set in the ladder at a 15° angle to facilitate mounting of the stand. They are a nominal 5" x 20 (127mm x 508) and come with all necessary stainless steel hardware.
- 3 **Frame:** The frame is constructed of type 304 polished stainless steel. The support column is made of 1.90" O.D x .109" wall (48.3mm x 2.77), while all other frame components are made of .065" (1.65mm) wall thickness. All bends are a nominal 6" (152.4mm) radius. Three (3) legs are mounted into the deck with the use of a jig.
- 4 **Swivel Stand w/ Umbrella Holder:** The base column of the swivel stand assembly is constructed of 1.90" O.D. x .065 wall (48.25mm x 1.65) type 304 stainless steel. At the lower end of the column is affixed a .25" (6.4mm) stainless steel plate which serves as a mounting flange. This flange is attached in tandem with the observation platform (footboard) to the platform supports. A 1.90" O.D. x .065 wall (48.25mm x 1.65) type 304 stainless steel tube is bent and affixed to the rear of the seat base column and serves as an umbrella holder.
- 5 **Seat w/ Swivel:** A special swivel mechanism is attached to the upper end of the swivel stand base column to allow for a 360° rotation of the contoured, low-side fiberglass seat.
- 6 **Anchor Assembly** (p/n S2823-17, see spec sheet for SRS-910): The Guardian Anchor Assembly consists of four (4) stainless steel bolts as the front anchor, and two (2) anchor sockets at the rear. The anchor sockets are made of cast bronze and secure fixtures with a wedge assembly. The front and rear anchors are affixed with no. 3 rebar, forming a jig. A 1/4-20 brass grounding screw is included. Two (2) round escutcheon plates are included. The plates are stamped of 0.23" (58mm) polished, stainless steel and are 4.5" (114mm) in diameter.

Additional Product Numbers: N/A

Shipping Weight: 135 lbs (61.2kg)

Specification Number:	SRS-104		S.R. Smith, LLC P.O. Box 400, 1017 SW Berg Parkway Canby, Oregon 97013 Tel: (888) 677-7776 (503) 266-2231 Fax: (503) 266-4334 www.srsmith.com
Product Description:	Guardian Lifeguard Stand		
S.R. Smith Part Number:	UMLS-101		
Revision:	A	Date: 05/12/03	
Written By:	T. Weil	Date: 05/12/03	
Approved By:	B. Bisceglia	Date: 05/20/03	
Page 2 of 2	<small>Proprietary and confidential: The information contained in this specification is the sole property of S.R. Smith LLC. Any reproduction in part or whole without the written consent of S.R. Smith LLC is prohibited.</small>		