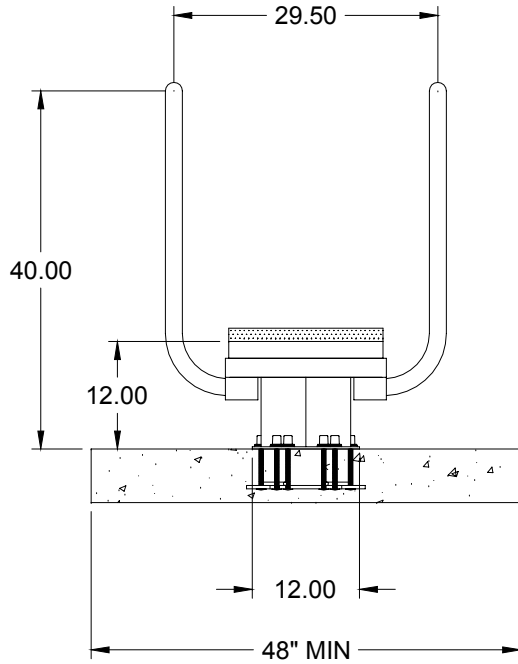
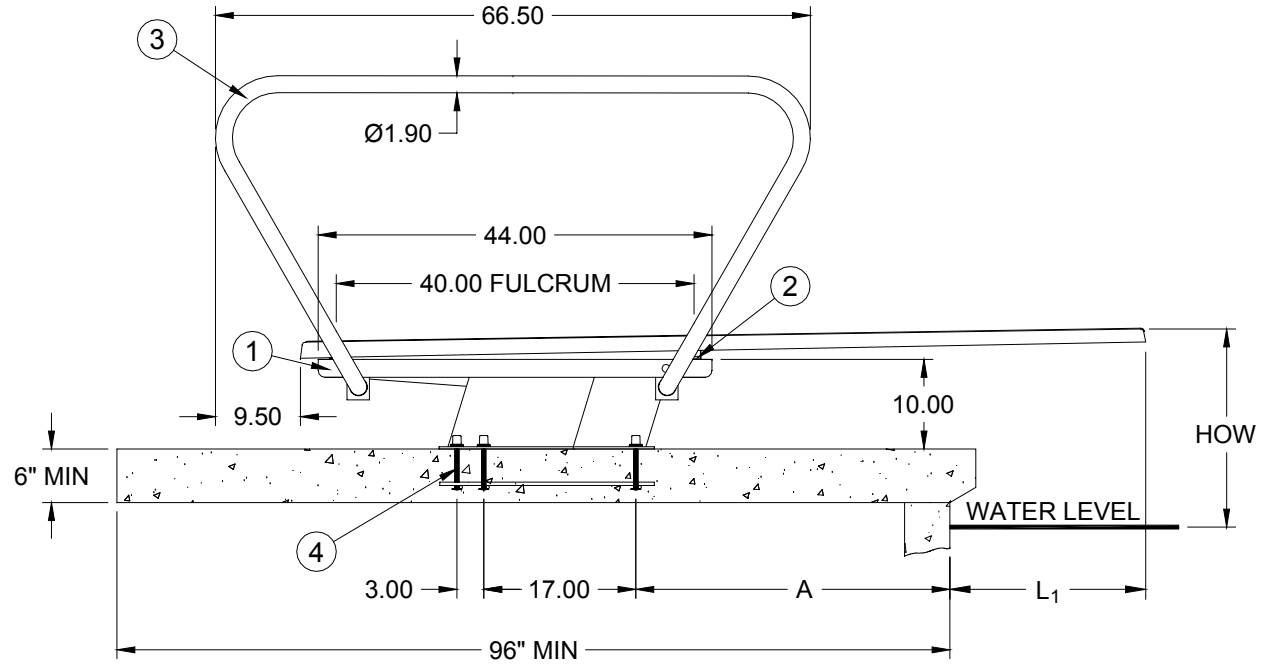


1/2 Meter Steel Diving Stand (8 ft)



HEEL VIEW



SIDE VIEW

ANSI/NSPI-1 1991 Standard for Public Swimming Pools

Pool Type	Distance for Setting Front Bolt of Jig from Water's Edge A	Min. Overhang Overhead L ₁ (± 3")	Max. Height of Board Above Water HOW
VI	27"	30"	26"
VII	21"	36"	30"

WHEN COPING IS USED DO NOT SET FRONT BOLT OF JIG CLOSER THAN 3" FROM THE DECK EDGE OF COPING.

NOTE:

Diving boards (including spring boards, jump boards, and starting platforms) shall be installed only on pools meeting or exceeding the minimum requirements for the various pool types as outlined in the current edition of ANSI/NSPI-1 (for Public Pools). In addition, all installations must meet or exceed applicable local codes with installation accomplished in accordance with S.R. SMITH written instructions. SR SMITH CANNOT GUARANTEE CUSTOMER'S CONCRETE OR THICKNESS.

Specification Number:	SRS-412		
Product Description:	1/2 Meter Steel Diving Stand (8 ft)		
S.R. Smith Part Number:	70-209-501	Scale:	NTS
Revision:	A	Date:	05/01/03
Written By:	T. Weil	Date:	05/01/03
Approved By:	B. Bisceglia	Date:	05/05/03
Page 1 of 2	Proprietary and confidential: The information contained in this specification is the sole property of S.R. Smith LLC. Any reproduction in part or whole without the written consent of S.R. Smith LLC is prohibited.		

S.R. Smith, LLC
P.O. Box 400, 1017 SW Berg Parkway
Canby, Oregon 97013
Tel: (888) 677-7776 (503) 266-2231
Fax: (503) 266-4334
www.srsmith.com



S.R. Smith LLC Commercial Division
Product Specifications - Written

Product Name: 1/2 Meter Steel Diving Stand (8 ft Boards)

Part Number: 70-209-501

General Notes:

The **1/2 Meter Steel Diving Stands** are designed for moderate to heavy-duty use with a variety of diving boards on commercial pools. All steel components are constructed from A36 and 1018 steel and are powder coated in Radiant White for protection. Handrails are optional on 1/2 meter stands and because of varying mounting heights and board lengths, handrails must be ordered separately as required. The p/n 70-209-501 steel meter stand is to be used with 8' (2.44m) boards only.

Application:

Depending upon installation design and local codes, these models are suitable for use on commercial pools. Site and installation requirements will determine the actual stand sizes and board lengths.

Specifications:

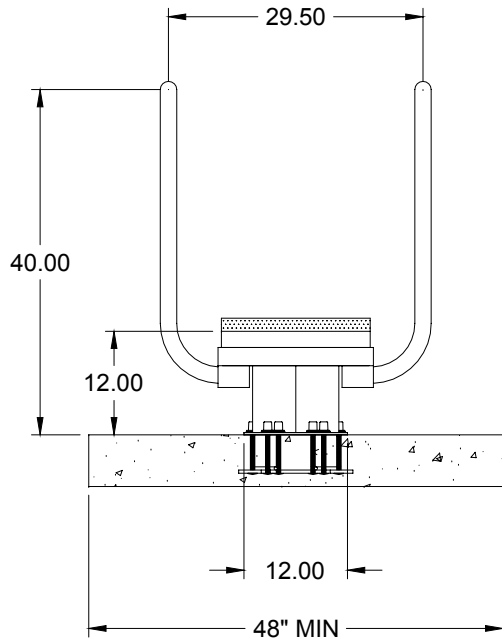
- 1 **Weldments and Tray:** The tray is constructed of .195" (4.95mm) thick carbon steel. .195" (4.95mm) gussets are welded to the tray for added support. The entire tray and weldments are powder coated Radiant White for protection.
- 2 **Fulcrum:** The fulcrum for the Steel Meter Diving Stand is fixed and consists of an 18" x 2 x .25 (457mm x 50.8 x 6.35) zinc plated carbon steel plate and a high durometer rubber mounting and fulcrum pad.
- 3 **Handrails** (p/n 71-209-550): The optional handrail used on this stand is constructed of 1.90" O.D. x .049 wall (48.25mm x 1.24) type 304 stainless steel (order separately).
- 4 **Anchor Assembly:** (p/n 71-209-541, see spec sheet for SRS-907): The anchor is manufactured using #3 grade 40 rebar. Six (6) 1/2" x 6 zinc plated carriage bolts are welded to the rebar and match the hole pattern of the diving stand's mounting plate.

Additional Product Numbers: N/A

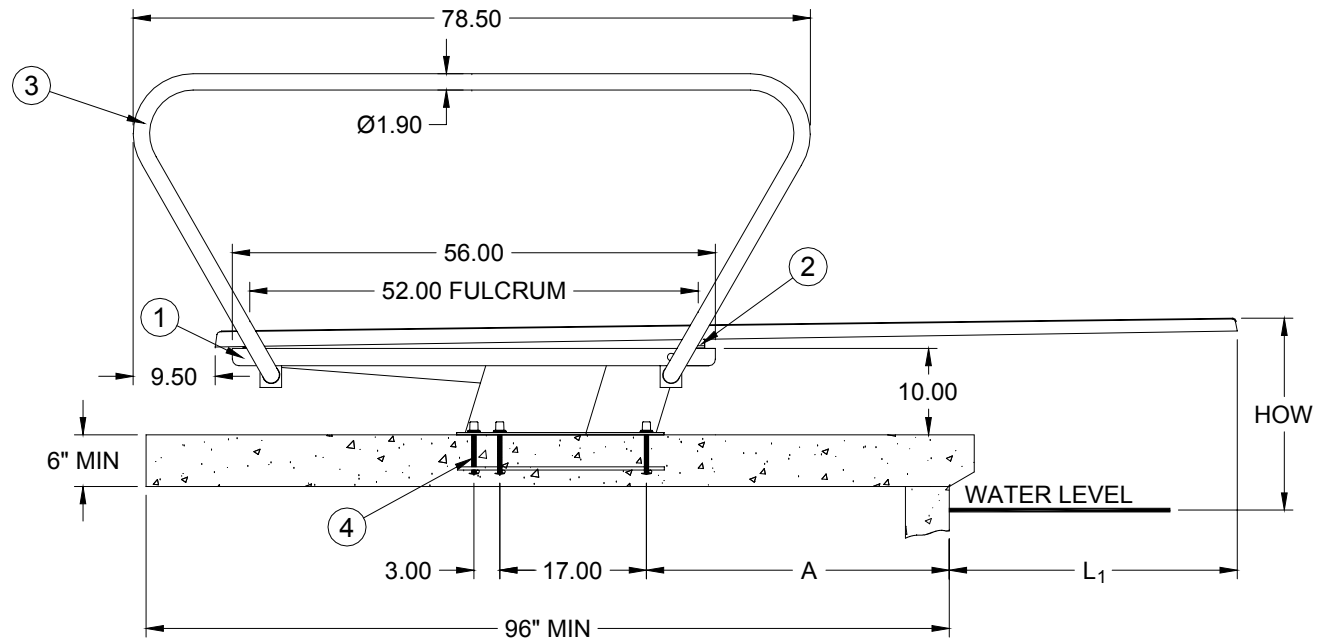
Shipping weight: 120 lbs (54.4kg)

Specification Number:	SRS-412		S.R. Smith, LLC P.O. Box 400, 1017 SW Berg Parkway Canby, Oregon 97013 Tel: (888) 677-7776 (503) 266-2231 Fax: (503) 266-4334 www.srsmith.com
Product Description:	1/2 Meter Steel Diving Stand (8 ft Boards)		
S.R. Smith Part Number:	70-209-501		
Revision:	A	Date: 05/01/03	
Written By:	T. Weil	Date: 05/01/03	
Approved By:	B. Bisceglia	Date: 05/05/03	
Page 2 of 2	Proprietary and confidential: The information contained in this specification is the sole property of S.R. Smith LLC. Any reproduction in part or whole without the written consent of S.R. Smith LLC is prohibited.		

1/2 Meter Steel Diving Stand (10 ft)



HEEL VIEW



SIDE VIEW

ANSI/NSPI-1 1991 Standard for Public Swimming Pools

Pool Type	Distance for Setting Front Bolt of Jig from Water's Edge A	Min. Overhang Overhead L ₁ (± 3")	Max. Height of Board Above Water HOW
VI	39"	30"	26"
VII	33"	36"	30"
VIII	21"	48"	39"

WHEN COPING IS USED DO NOT SET FRONT BOLT OF JIG CLOSER THAN 3" FROM THE DECK EDGE OF COPING.

NOTE:

Diving boards (including spring boards, jump boards, and starting platforms) shall be installed only on pools meeting or exceeding the minimum requirements for the various pool types as outlined in the current edition of ANSI/NSPI-1 (for Public Pools). In addition, all installations must meet or exceed applicable local codes with installation accomplished in accordance with S.R. SMITH written instructions. SR SMITH CANNOT GUARANTEE CUSTOMER'S CONCRETE OR THICKNESS.

Specification Number:	SRS-413		
Product Description:	1/2 Meter Steel Diving Stand (10 ft)		
S.R. Smith Part Number:	70-209-502	Scale:	NTS
Revision:	A	Date:	05/02/03
Written By:	T. Weil	Date:	05/02/03
Approved By:	B. Bisceglia	Date:	05/05/03
Page 1 of 2	Proprietary and confidential: The information contained in this specification is the sole property of S.R. Smith LLC. Any reproduction in part or whole without the written consent of S.R. Smith LLC is prohibited.		

S.R. Smith, LLC
P.O. Box 400, 1017 SW Berg Parkway
Canby, Oregon 97013
Tel: (888) 677-7776 (503) 266-2231
Fax: (503) 266-4334
www.srsmith.com



S.R. Smith LLC Commercial Division
Product Specifications - Written

Product Name: 1/2 Meter Steel Diving Stand (10 ft Boards)

Part Number: 70-209-502

General Notes:

The **1/2 Meter Steel Diving Stands** are designed for moderate to heavy-duty use with a variety of diving boards on commercial pools. All steel components are constructed from A36 and 1018 steel and are powder coated in Radiant White for protection. Handrails are optional on 1/2 meter stands and because of varying mounting heights and board lengths, handrails must be ordered separately as required. The p/n 70-209-502 steel meter stand is to be used with 10' (3.05m) boards only.

Application:

Depending upon installation design and local codes, these models are suitable for use on commercial pools. Site and installation requirements will determine the actual stand sizes and board lengths.

Specifications:

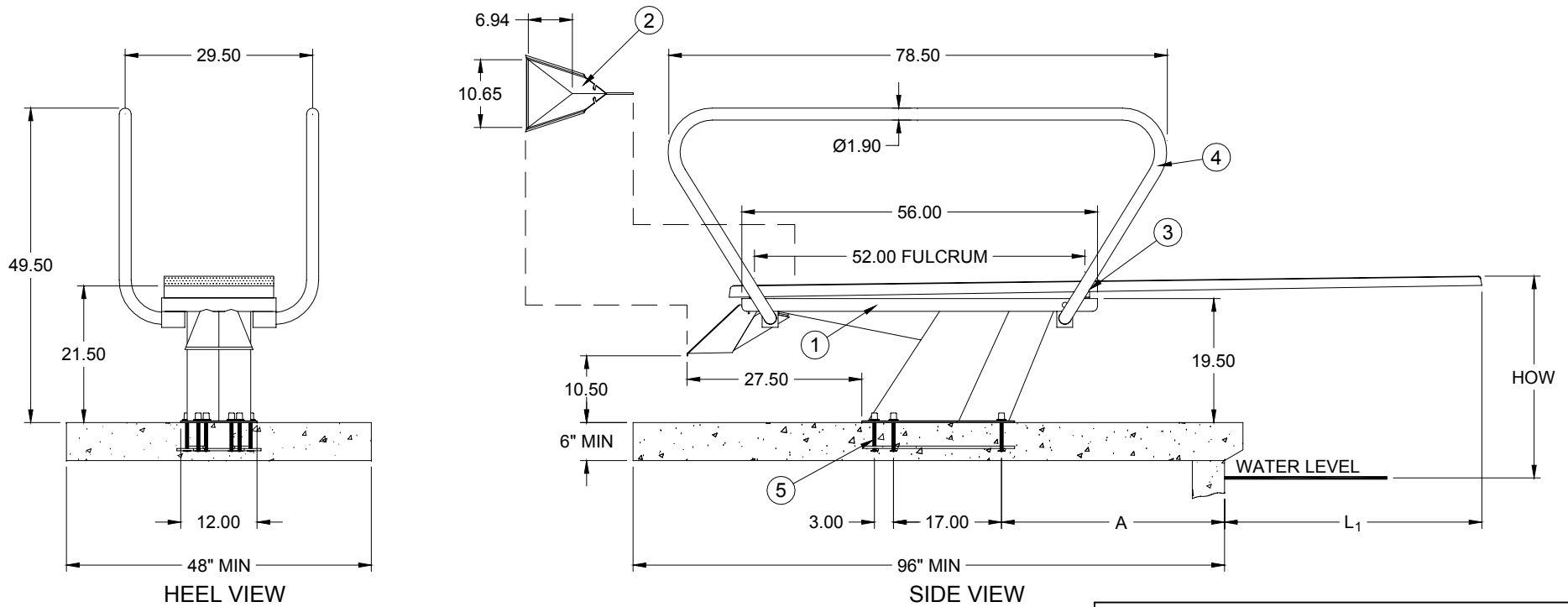
- 1 **Weldments and Tray:** The tray is constructed of .195" (4.95mm) thick carbon steel. .195" (4.95mm) gussets are welded to the tray for added support. The entire tray and weldments are powder coated Radiant White for protection.
- 2 **Fulcrum:** The fulcrum for the Steel Meter Diving Stand is fixed and consists of an 18" x 2 x .25 (457mm x 50.8 x 6.35) zinc plated carbon steel plate and a high durometer rubber mounting and fulcrum pad.
- 3 **Handrails** (p/n 71-209-551): The optional handrail used on this stand is constructed of 1.90" O.D. x .049 wall (48.25mm x 1.24) type 304 stainless steel (order separately).
- 4 **Anchor Assembly:** (p/n 71-209-541, see spec sheet for SRS-907): The anchor is manufactured using #3 grade 40 rebar. Six (6) 1/2" x 6 zinc plated carriage bolts are welded to the rebar and match the hole pattern of the diving stand's mounting plate.

Additional Product Numbers: N/A

Shipping weight: 145 lbs (65.8kg)

Specification Number:	SRS-413		S.R. Smith, LLC P.O. Box 400, 1017 SW Berg Parkway Canby, Oregon 97013 Tel: (888) 677-7776 (503) 266-2231 Fax: (503) 266-4334 www.srsmith.com
Product Description:	1/2 Meter Steel Diving Stand (10 ft Boards)		
S.R. Smith Part Number:	70-209-502		
Revision:	A	Date: 05/02/03	
Written By:	T. Weil	Date: 05/02/03	
Approved By:	B. Bisceglia	Date: 05/05/03	
Page 2 of 2	Proprietary and confidential: The information contained in this specification is the sole property of S.R. Smith LLC. Any reproduction in part or whole without the written consent of S.R. Smith LLC is prohibited.		

3/4 Meter Steel Diving Stand (10 ft)



NOTE:
Diving boards (including spring boards, jump boards, and starting platforms) shall be installed only on pools meeting or exceeding the minimum requirements for the various pool types as outlined in the current edition of ANSI/NSPI-1 (for Public Pools). In addition, all installations must meet or exceed applicable local codes with installation accomplished in accordance with S.R. SMITH written instructions. SR SMITH CANNOT GUARANTEE CUSTOMER'S CONCRETE OR THICKNESS.

ANSI/NSPI-1 1991 Standard for Public Swimming Pools

Pool Type	Distance for Setting Front Bolt of Jig from Water's Edge A	Min. Overhang Overhead L ₁ (± 3")	Max. Height of Board Above Water HOW
VII	40"	36"	30"
VIII	28"	48"	39"

WHEN COPING IS USED DO NOT SET FRONT BOLT OF JIG CLOSER THAN 3" FROM THE DECK EDGE OF COPING.

Specification Number:	SRS-414		
Product Description:	3/4 Meter Steel Diving Stand (10 ft)		
S.R. Smith Part Number:	70-209-510	Scale:	NTS
Revision:	A	Date:	05/02/03
Written By:	T. Weil	Date:	05/02/03
Approved By:	B. Bisceglia	Date:	05/05/03
Page 1 of 2	Proprietary and confidential: The information contained in this specification is the sole property of S.R. Smith LLC. Any reproduction in part or whole without the written consent of S.R. Smith LLC is prohibited.		

S.R. Smith, LLC
P.O. Box 400, 1017 SW Berg Parkway
Canby, Oregon 97013
Tel: (888) 677-7776 (503) 266-2231
Fax: (503) 266-4334
www.srsmith.com



S.R. Smith LLC Commercial Division

Product Specifications - Written

Product Name: 3/4 Meter Steel Diving Stand (10 ft Boards)

Part Number: 70-209-510

General Notes:

The **3/4 Meter Steel Diving Stands** are designed for moderate to heavy-duty use with a variety of diving boards on commercial pools. All steel components are constructed from A36 and 1018 steel and are powder coated in Radiant White for protection. Handrails are optional on 3/4 meter stands and because of varying mounting heights and board lengths, handrails must be ordered separately as required. The p/n 70-209-510 steel meter stand is to be used with 10' (3.05m) boards only.

Application:

Depending upon installation design and local codes, these models are suitable for use on commercial pools. Site and installation requirements will determine the actual stand sizes and board lengths.

Specifications:

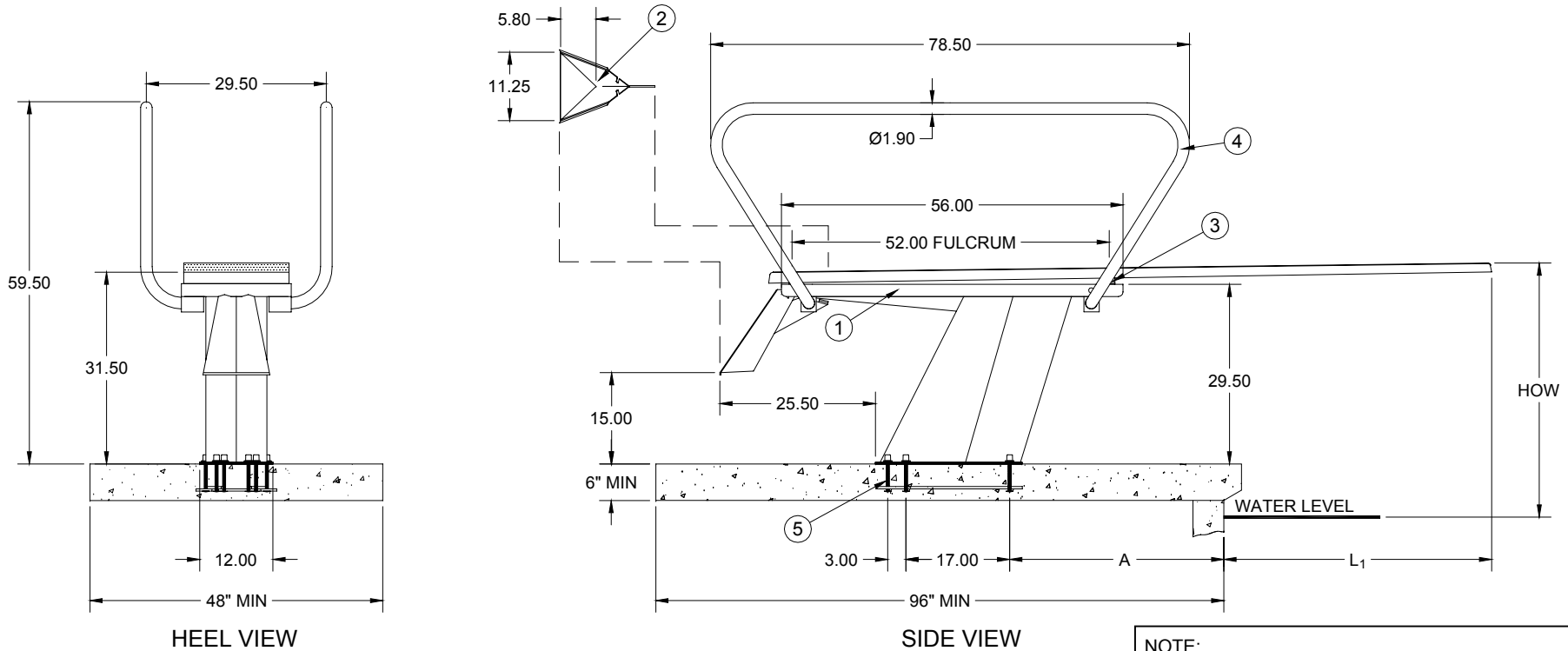
- 1 **Weldments and Tray:** The tray is constructed of .195" (4.95mm) thick carbon steel. .195" (4.95mm) gussets are welded to the tray for added support. The entire tray and weldments are powder coated Radiant White for protection.
- 2 **Step:** The step assembly is fabricated from .25" (6.35mm) thick carbon steel and the step plate itself is made from diamond plate. The assembly is powder coated Radiant White.
- 3 **Fulcrum:** The fulcrum for the Steel Meter Diving Stand is fixed and consists of an 18" x 2 x .25 (457mm x 50.8 x 6.35) zinc plated carbon steel plate and a high durometer rubber mounting and fulcrum pad.
- 4 **Handrails** (p/n 71-209-551): The optional handrail used on this stand is constructed of 1.90" O.D. x .049 wall (48.25mm x 1.24) type 304 stainless steel (order separately).
- 5 **Anchor Assembly:** (p/n 71-209-541, see spec sheet for SRS-907): The anchor is manufactured using #3 grade 40 rebar. Six (6) 1/2" x 6 zinc plated carriage bolts are welded to the rebar and match the hole pattern of the diving stand's mounting plate.

Additional Product Numbers: N/A

Shipping weight: 175 lbs (79.4kg)

Specification Number:	SRS-414		S.R. Smith, LLC P.O. Box 400, 1017 SW Berg Parkway Canby, Oregon 97013 Tel: (888) 677-7776 (503) 266-2231 Fax: (503) 266-4334 www.srsmith.com
Product Description:	3/4 Meter Steel Diving Stand (10 ft Boards)		
S.R. Smith Part Number:	70-209-510		
Revision:	A	Date: 05/02/03	
Written By:	T. Weil	Date: 05/02/03	
Approved By:	B. Bisceglia	Date: 05/05/03	
Page 2 of 2	Proprietary and confidential: The information contained in this specification is the sole property of S.R. Smith LLC. Any reproduction in part or whole without the written consent of S.R. Smith LLC is prohibited.		

1 Meter Steel Diving Stand (10 ft)



NOTE:
Diving boards (including spring boards, jump boards, and starting platforms) shall be installed only on pools meeting or exceeding the minimum requirements for the various pool types as outlined in the current edition of ANSI/NSPI-1 (for Public Pools). In addition, all installations must meet or exceed applicable local codes with installation accomplished in accordance with S.R. SMITH written instructions. SR SMITH CANNOT GUARANTEE CUSTOMER'S CONCRETE OR THICKNESS.

ANSI/NSPI-1 1991 Standard for Public Swimming Pools

Pool Type	Distance for Setting Front Bolt of Jig from Water's Edge A	Min. Overhang Overhead L ₁ (± 3")	Max. Height of Board Above Water HOW
VIII	31"	48"	39"

WHEN COPING IS USED DO NOT SET FRONT BOLT OF JIG CLOSER THAN 3" FROM THE DECK EDGE OF COPING.

Specification Number:	SRS-416		
Product Description:	1 Meter Steel Diving Stand (10 ft)		
S.R. Smith Part Number:	70-209-520	Scale:	NTS
Revision:	A	Date:	05/01/03
Written By:	T. Weil	Date:	05/01/03
Approved By:	B. Bisceglia	Date:	05/05/03
Page 1 of 2	Proprietary and confidential: The information contained in this specification is the sole property of S.R. Smith LLC. Any reproduction in part or whole without the written consent of S.R. Smith LLC is prohibited.		

S.R. Smith, LLC
P.O. Box 400, 1017 SW Berg Parkway
Canby, Oregon 97013
Tel: (888) 677-7776 (503) 266-2231
Fax: (503) 266-4334
www.srsmith.com



S.R. Smith LLC Commercial Division

Product Specifications - Written

Product Name: 1-Meter Steel Diving Stand (10 ft Boards)

Part Number: 70-209-520

General Notes:

The **1-Meter Steel Diving Stands** are designed for moderate to heavy-duty use with a variety of diving boards on commercial pools. All steel components are constructed from A36 and 1018 steel and are powder coated in Radiant White for protection. Handrails are required for all 1meter stands however, because of varying mounting heights and board lengths, are not included and must be ordered separately. The p/n 70-209-520 steel meter stand is to be used with 10' (3.66m) boards only.

Application:

Depending upon installation design and local codes, these models are suitable for use on commercial pools. Site and installation requirements will determine the actual stand sizes and board lengths.

Specifications:

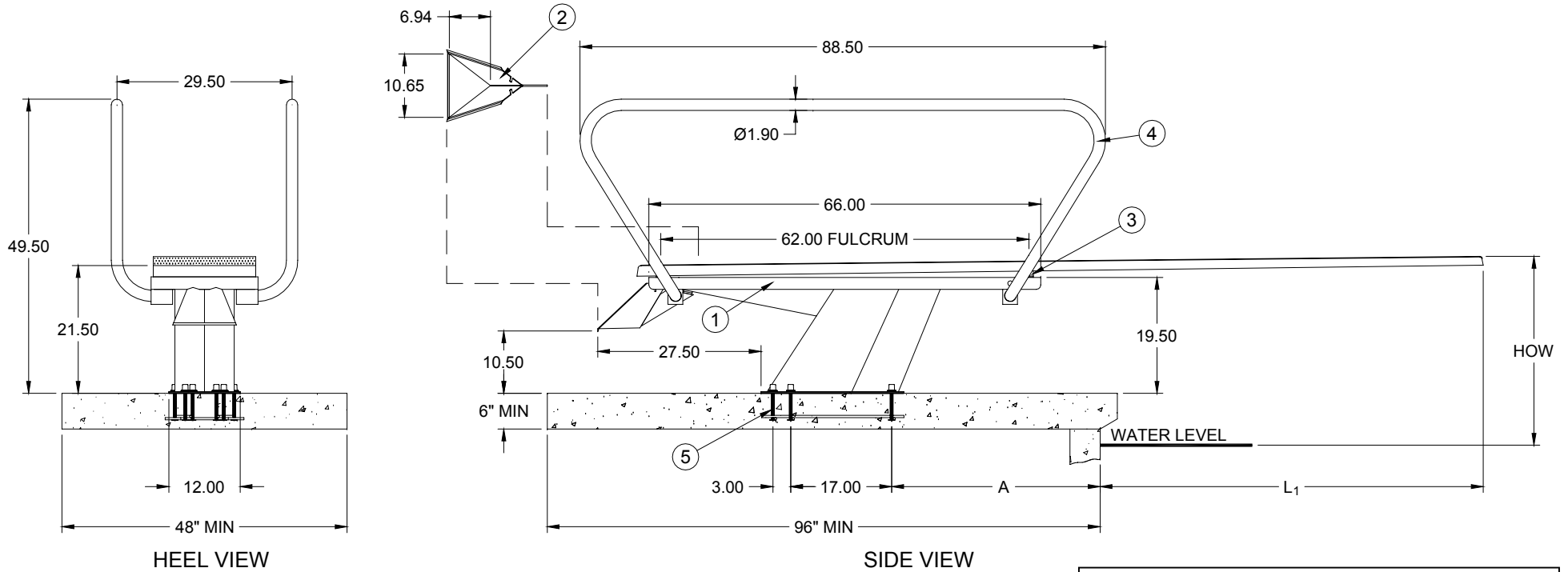
- 1 **Weldments and Tray:** The tray is constructed of .195" (4.95mm) thick carbon steel. .195" (4.95mm) gussets are welded to the tray for added support. The entire tray and weldments are powder coated Radiant White for protection.
- 2 **Step:** The step assembly is fabricated from .25" (6.35mm) thick carbon steel and the step plate itself is made from diamond plate. The assembly is powder coated Radiant White.
- 3 **Fulcrum:** The fulcrum for the Steel Meter Diving Stand is fixed and consists of an 18" x 2 x .25 (457mm x 50.8 x 6.35) zinc plated carbon steel plate and a high durometer rubber mounting and fulcrum pad.
- 4 **Handrails** (p/n 71-209-551): The required handrail used on this stand is constructed of 1.90" O.D. x .049 wall (48.25mm x 1.24) type 304 stainless steel (order separately).
- 5 **Anchor Assembly:** (p/n 71-209-541, see spec sheet for SRS-907): The anchor is manufactured using #3 grade 40 rebar. Six (6) 1/2" x 6 zinc plated carriage bolts are welded to the rebar and match the hole pattern of the diving stand's mounting plate.

Additional Product Numbers: N/A

Shipping weight: 205 lbs (93.0kg)

Specification Number:	SRS-416		S.R. Smith, LLC P.O. Box 400, 1017 SW Berg Parkway Canby, Oregon 97013 Tel: (888) 677-7776 (503) 266-2231 Fax: (503) 266-4334 www.srsmith.com
Product Description:	1- Meter Steel Diving Stand (10 ft Boards)		
S.R. Smith Part Number:	70-209-520		
Revision:	A	Date: 05/02/03	
Written By:	T. Weil	Date: 05/02/03	
Approved By:	B. Bisceglia	Date: 05/05/03	
Page 2 of 2	Proprietary and confidential: The information contained in this specification is the sole property of S.R. Smith LLC. Any reproduction in part or whole without the written consent of S.R. Smith LLC is prohibited.		

3/4 Meter Steel Diving Stand (12 ft)



NOTE:
 Diving boards (including spring boards, jump boards, and starting platforms) shall be installed only on pools meeting or exceeding the minimum requirements for the various pool types as outlined in the current edition of ANSI/NSPI-1 (for Public Pools). In addition, all installations must meet or exceed applicable local codes with installation accomplished in accordance with S.R. SMITH written instructions. SR SMITH CANNOT GUARANTEE CUSTOMER'S CONCRETE OR THICKNESS.

WHEN COPING IS USED DO NOT SET FRONT BOLT OF JIG CLOSER THAN 3" FROM THE DECK EDGE OF COPING.

ANSI/NSPI-1 1991 Standard for Public Swimming Pools

Pool Type	Distance for Setting Front Bolt of Jig from Water's Edge A	Min. Overhang Overhead L ₁ (± 3")	Max. Height of Board Above Water HOW
VII	51"	36"	30"
VIII	39"	48"	39"
IX	15"	72"	118"

Specification Number:	SRS-415		
Product Description:	3/4 Meter Steel Diving Stand (12 ft)		
S.R. Smith Part Number:	70-209-512	Scale:	NTS
Revision:	A	Date:	05/02/03
Written By:	T. Weil	Date:	05/02/03
Approved By:	B. Bisceglia	Date:	05/05/03
Page 1 of 2	Proprietary and confidential: The information contained in this specification is the sole property of S.R. Smith LLC. Any reproduction in part or whole without the written consent of S.R. Smith LLC is prohibited.		

S.R. Smith, LLC
 P.O. Box 400, 1017 SW Berg Parkway
 Canby, Oregon 97013
 Tel: (888) 677-7776 (503) 266-2231
 Fax: (503) 266-4334
 www.srsmith.com



S.R. Smith LLC Commercial Division

Product Specifications - Written

Product Name: 3/4 Meter Steel Diving Stand (12 ft Boards)

Part Number: 70-209-512

General Notes:

The **3/4 Meter Steel Diving Stands** are designed for moderate to heavy-duty use with a variety of diving boards on commercial pools. All steel components are constructed from A36 and 1018 steel and are powder coated in Radiant White for protection. Handrails are optional on 3/4 meter stands and because of varying mounting heights and board lengths, handrails must be ordered separately as required. The p/n 70-209-512 steel meter stand is to be used with 12' (3.66m) boards only.

Application:

Depending upon installation design and local codes, these models are suitable for use on commercial pools. Site and installation requirements will determine the actual stand sizes and board lengths.

Specifications:

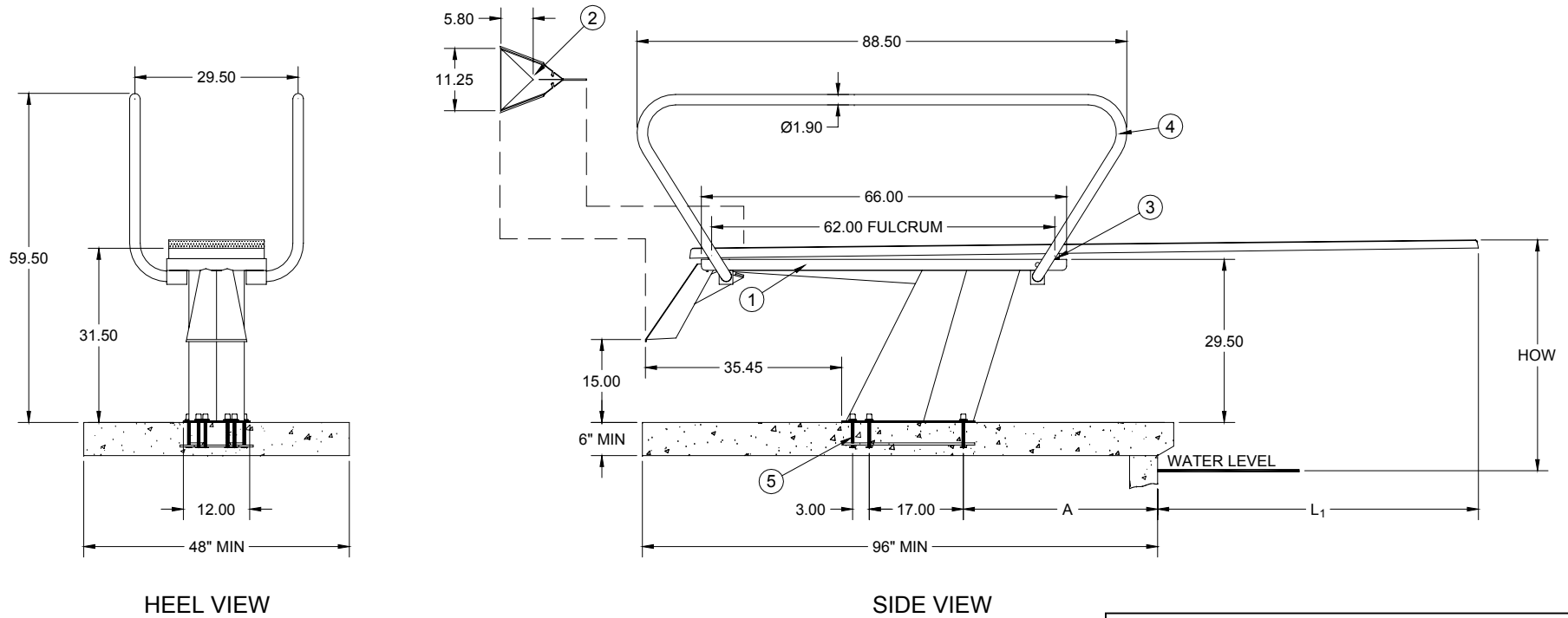
- 1 **Weldments and Tray:** The tray is constructed of .195" (4.95mm) thick carbon steel. .195" (4.95mm) gussets are welded to the tray for added support. The entire tray and weldments are powder coated Radiant White for protection.
- 2 **Step:** The step assembly is fabricated from .25" (6.35mm) thick carbon steel and the step plate itself is made from diamond plate. The assembly is powder coated Radiant White.
- 3 **Fulcrum:** The fulcrum for the Steel Meter Diving Stand is fixed and consists of an 18" x 2 x .25 (457mm x 50.8 x 6.35) zinc plated carbon steel plate and a high durometer rubber mounting and fulcrum pad.
- 4 **Handrails** (p/n 71-209-552): The optional handrail used on this stand is constructed of 1.90" O.D. x .049 wall (48.25mm x 1.24) type 304 stainless steel (order separately).
- 5 **Anchor Assembly:** (p/n 71-209-541, see spec sheet for SRS-907): The anchor is manufactured using #3 grade 40 rebar. Six (6) 1/2" x 6 zinc plated carriage bolts are welded to the rebar and match the hole pattern of the diving stand's mounting plate.

Additional Product Numbers: N/A

Shipping weight: 185 lbs (83.9kg)

Specification Number:	SRS-415		S.R. Smith, LLC P.O. Box 400, 1017 SW Berg Parkway Canby, Oregon 97013 Tel: (888) 677-7776 (503) 266-2231 Fax: (503) 266-4334 www.srsmith.com
Product Description:	3/4 Meter Steel Diving Stand (12 ft Boards)		
S.R. Smith Part Number:	70-209-512		
Revision:	A	Date: 05/02/03	
Written By:	T. Weil	Date: 05/02/03	
Approved By:		Date: 05/05/03	
Page 2 of 2	Proprietary and confidential: The information contained in this specification is the sole property of S.R. Smith LLC. Any reproduction in part or whole without the written consent of S.R. Smith LLC is prohibited.		

1 Meter Steel Diving Stand (12 ft)



ANSI/NSPI-1 1991 Standard for Public Swimming Pools

Pool Type	Distance for Setting Front Bolt of Jig from Water's Edge A	Min. Overhang Overhead L ₁ (± 3")	Max. Height of Board Above Water HOW
VIII	45"	48"	39"
IX	21"	72"	118"

WHEN COPING IS USED DO NOT SET FRONT BOLT OF JIG CLOSER THAN 3" FROM THE DECK EDGE OF COPING.

NOTE:
 Diving boards (including spring boards, jump boards, and starting platforms) shall be installed only on pools meeting or exceeding the minimum requirements for the various pool types as outlined in the current edition of ANSI/NSPI-1 (for Public Pools). In addition, all installations must meet or exceed applicable local codes with installation accomplished in accordance with S.R. SMITH written instructions. SR SMITH CANNOT GUARANTEE CUSTOMER'S CONCRETE OR THICKNESS.

Specification Number:	SRS-417		
Product Description:	1 Meter Steel Diving Stand (12 ft)		
S.R. Smith Part Number:	70-209-522	Scale:	NTS
Revision:	A	Date:	05/01/03
Written By:	T. Weil	Date:	05/01/03
Approved By:	B. Bisceglia	Date:	05/05/03
Page 1 of 2	Proprietary and confidential: The information contained in this specification is the sole property of S.R. Smith LLC. Any reproduction in part or whole without the written consent of S.R. Smith LLC is prohibited.		

S.R. Smith, LLC
 P.O. Box 400, 1017 SW Berg Parkway
 Canby, Oregon 97013
 Tel: (888) 677-7776 (503) 266-2231
 Fax: (503) 266-4334
 www.srsmith.com



S.R. Smith LLC Commercial Division

Product Specifications - Written

Product Name: 1-Meter Steel Diving Stand (12 ft Boards)

Part Number: 70-209-522

General Notes:

The **1-Meter Steel Diving Stands** are designed for moderate to heavy-duty use with a variety of diving boards on commercial pools. All steel components are constructed from A36 and 1018 steel and are powder coated in Radiant White for protection. Handrails are required for all 1meter stands however, because of varying mounting heights and board lengths, are not included and must be ordered separately. The p/n 70-209-522 steel meter stand is to be used with 12' (3.66m) boards only.

Application:

Depending upon installation design and local codes, these models are suitable for use on commercial pools. Site and installation requirements will determine the actual stand sizes and board lengths.

Specifications:

- 1 **Weldments and Tray:** The tray is constructed of .195" (4.95mm) thick carbon steel. .195" (4.95mm) gussets are welded to the tray for added support. The entire tray and weldments are powder coated Radiant White for protection.
- 2 **Step:** The step assembly is fabricated from .25" (6.35mm) thick carbon steel and the step plate itself is made from diamond plate. The assembly is powder coated Radiant White.
- 3 **Fulcrum:** The fulcrum for the Steel Meter Diving Stand is fixed and consists of an 18" x 2 x .25 (457mm x 50.8 x 6.35) zinc plated carbon steel plate and a high durometer rubber mounting and fulcrum pad.
- 4 **Handrails** (p/n 71-209-552): The required handrail used on this stand is constructed of 1.90" O.D. x .049 wall (48.25mm x 1.24) type 304 stainless steel (order separately).
- 5 **Anchor Assembly:** (p/n 71-209-541, see spec sheet for SRS-907): The anchor is manufactured using #3 grade 40 rebar. Six (6) 1/2" x 6 zinc plated carriage bolts are welded to the rebar and match the hole pattern of the diving stand's mounting plate.

Additional Product Numbers: N/A

Shipping weight: 225 lbs (102kg)

Specification Number:	SRS-417		S.R. Smith, LLC P.O. Box 400, 1017 SW Berg Parkway Canby, Oregon 97013 Tel: (888) 677-7776 (503) 266-2231 Fax: (503) 266-4334 www.srsmith.com
Product Description:	1- Meter Steel Diving Stand (12 ft Boards)		
S.R. Smith Part Number:	70-209-522		
Revision:	A	Date: 05/02/03	
Written By:	T. Weil	Date: 05/02/03	
Approved By:		Date: 05/05/03	
Page 2 of 2	Proprietary and confidential: The information contained in this specification is the sole property of S.R. Smith LLC. Any reproduction in part or whole without the written consent of S.R. Smith LLC is prohibited.		