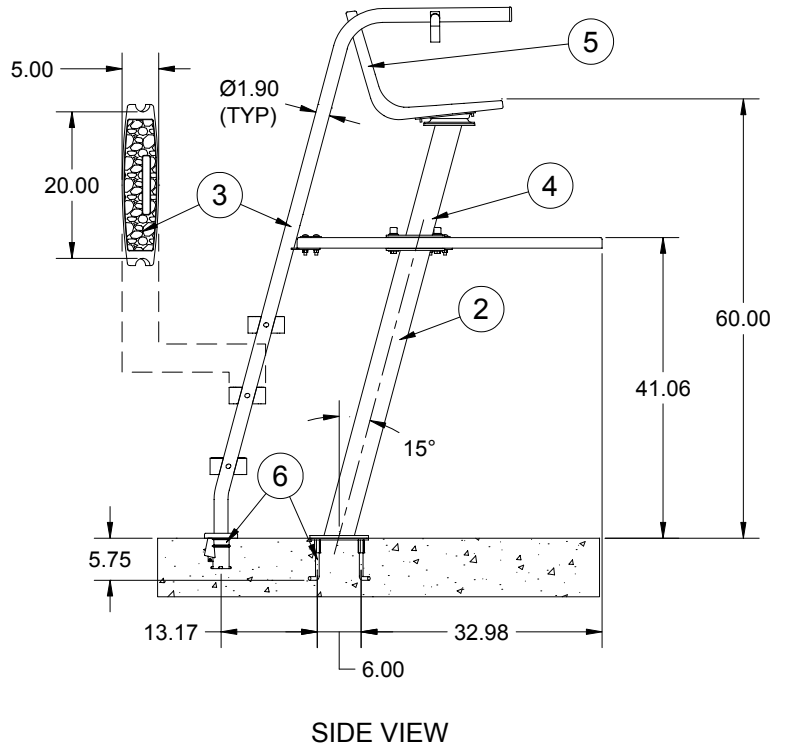
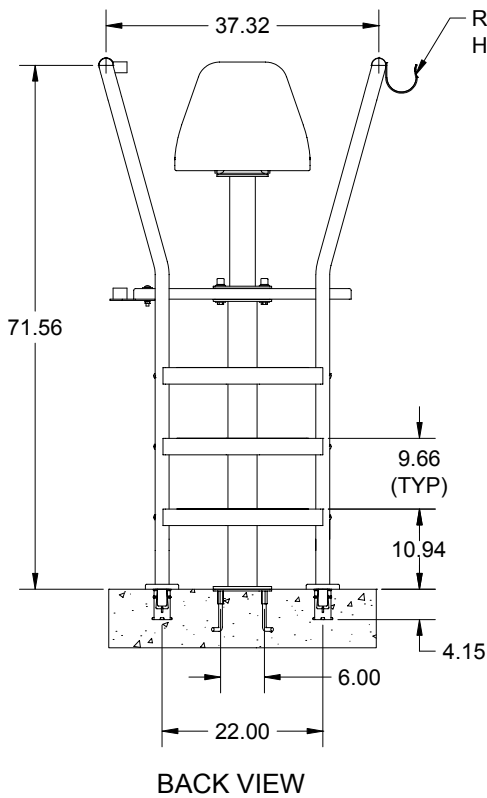
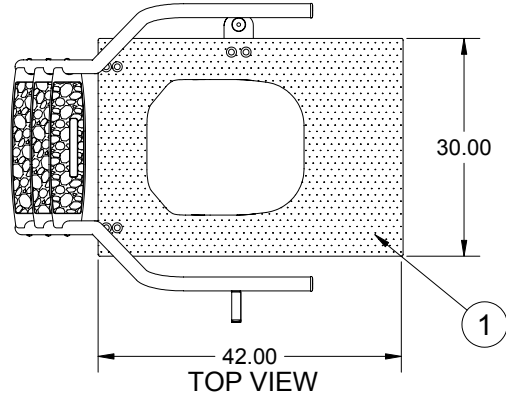


Outlook II Lifeguard Stand

NOTE: SETBACK DISTANCE FROM POOL EDGE TO BE DETERMINED BY LOCAL GOVERNMENT REGULATIONS. S.R. SMITH CANNOT GUARANTEE CUSTOMER'S CONCRETE OR THICKNESS.



| | | |
|-------------------------|--|----------------|
| Specification Number: | SRS-109 | |
| Product Description: | Outlook II Lifeguard Stand | |
| S.R. Smith Part Number: | US48700 | Scale: NTS |
| Revision: | A | Date: 05/14/03 |
| Written By: | T. Weil | Date: 05/14/03 |
| Approved By: | B. Bisceglia | Date: 05/15/03 |
| Page 1 of 2 | Proprietary and confidential: The information contained in this specification is the sole property of S.R. Smith LLC. Any reproduction in part or whole without the written consent of S.R. Smith LLC is prohibited. | |

S.R. Smith, LLC
P.O. Box 400, 1017 SW Berg Parkway
Canby, Oregon 97013
Tel: (888) 677-7776 (503) 266-2231
Fax: (503) 266-4334
www.srsmith.com



S.R. Smith LLC Commercial Division Product Specifications - Written

Product Name: Outlook II Lifeguard Stand

Part Number: US48700

General Notes:

The **Outlook II Lifeguard Stand** has an extended observation platform (footboard) and is intended for permanent installation on an embedded main pedestal at facilities not requiring removal or movement of lifeguard chairs. The stand is supported by a stainless steel column slanted 15° toward the pool. The footboard, chair, and ladder assembly are bolted to the support column.

Application:

Depending upon installation design and local codes, this model is suitable for use on commercial pools. If project design and local codes permit and frequent removal of the chairs is not a requirement, it may be suitable for use on some competition pools. Depending upon installation and design, these stands may also be ideal for use as judging and observation stands on tennis courts and other sporting sites.

Specifications:

- 1 Footboard: The observation platform (footboard) of the Outlook II Lifeguard Stand measures 1-3/4" x 30 x 42 (44.5mm x 762 x 1067) and is a solid laminated fir core covered with fiberglass-reinforced acrylic. The top surface is a non-skid sanded tread.
- 2 Support Column: The support column is made from 3" (76.2mm) dia. schedule 10 stainless steel pipe with 1/4" (6.4mm) thick stainless steel top plate and a 3/8" (9.5mm) thick stainless steel bottom plate. The support column is then powder coated gray. The stand is equipped with an umbrella holder and a rescue tube holder.
- 3 Ladder and Handrail Assembly: The ladder and handrail assembly are bolted to the frame. The handrails are made of 304 stainless steel tubing with 1.90" O.D. x .065 wall thickness (48.3mm x 1.65). Three (3) slip resistant steps are mounted to the assembly. The steps are made of black molded plastic and are set in the ladder at a 15° angle to facilitate mounting of the stand. They are a nominal 5" x 20 (127mm x 508) and come with all necessary stainless steel hardware.
- 4 Swivel Stand: The base column of the swivel stand assembly is constructed of 3" (76.2mm) dia. schedule 10 stainless steel pipe. At the lower end of the column is affixed a .25" (6.4mm) stainless steel plate which serves as a mounting flange. This flange is attached in tandem with the observation platform (footboard) to the platform supports. The swivel stand is powder coated gray.
- 5 Seat w/ Swivel: A special swivel mechanism is attached to the upper end of the swivel stand base column to allow for a 360° rotation of the contoured, low-side fiberglass seat.
- 6 Anchor Assembly (p/n 27-103, see spec sheet for SRS-912): The Outlook II front anchor is constructed from a 1/4" x 8 x 8 (6.35mm x 203 x 203) stainless steel plate. Four (4) couple nuts are welded to the plate. L-bolts are then inserted into the couples. The stand is secured to the anchor by four (4) 1/2" x 1-1/2 (12.7mm x 38.1) stainless steel bolts. The two (2) rear anchors are 4" Bronze Anchor Sockets. The assembly includes a 4" (101.6mm) deep cast bronze socket and secures the Outlook II ladder by means of a wedge assembly. It is threaded and comes with a 1/4-20 brass grounding screw for bonding. Two (2) round escutcheon plates are included. The plates are stamped of 0.23" (58mm) polished, stainless steel and are 4.5" (114mm) in diameter.

Additional Product Numbers: N/A

Shipping Weight: N/A

| | | |
|-------------------------|--|----------------|
| Specification Number: | SRS-109 | |
| Product Description: | Outlook II Lifeguard Stand | |
| S.R. Smith Part Number: | US48700 | |
| Revision: | B | Date: 12/16/04 |
| Written By: | T. Weil | Date: 05/14/03 |
| Approved By: | B. Bisceglia | Date: 05/15/03 |
| Page 2 of 2 | Proprietary and confidential: The information contained in this specification is the sole property of S.R. Smith LLC. Any reproduction in part or whole without the written consent of S.R. Smith LLC is prohibited. | |

S.R. Smith, LLC
P.O. Box 400, 1017 SW Berg Parkway
Canby, Oregon 97013
Tel: (888) 677-7776 (503) 266-2231
Fax: (503) 266-4334
www.srsmith.com