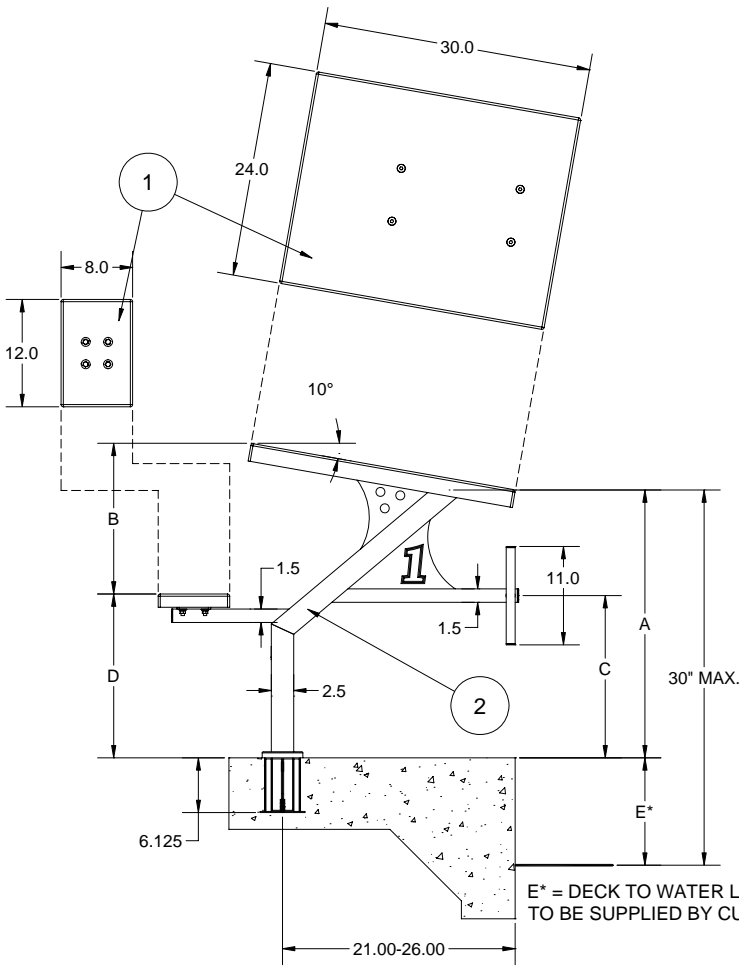


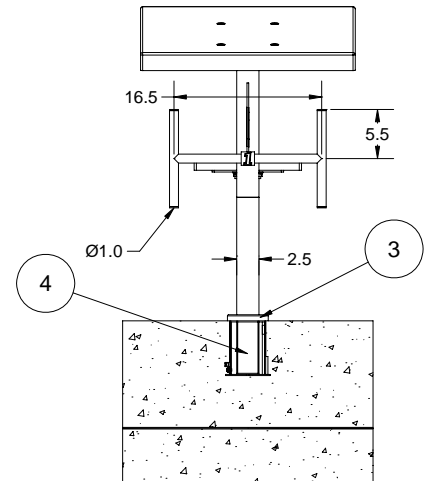
Legacy Starting Platform

MODEL NUMBER	A*	B	C	D
LEGACY 26-30	30	16.62	18.00	18.25
LEGACY 26-29.5	29.5	16.62	17.50	17.75
LEGACY 26-29	29	16.62	17.00	17.25
LEGACY 26-28.5	28.5	16.62	16.50	16.75
LEGACY 26-28	28	16.62	16.00	16.25
LEGACY 26-27.5	27.5	16.62	15.50	15.75
LEGACY 26-27	27	16.62	15.00	15.25
LEGACY 26-26.5	26.5	16.62	14.50	14.75
LEGACY 26-26	26	16.62	14.00	14.25
LEGACY 26-25.5	25.5	16.62	13.50	13.75
LEGACY 26-25	25	16.62	13.00	13.25
LEGACY 25-24.5	24.5	14.66	12.50	14.75
LEGACY 25-24	24	14.66	12.00	14.25
LEGACY 24-23.5	23.5	14.16	11.50	14.25
LEGACY 24-23	23	14.16	11.00	13.75
LEGACY 23-22.5	22.5	12.91	10.50	14.50
LEGACY 23-22	22	12.91	10.00	14.00
LEGACY 23-21.5	21.5	12.91	9.50	13.50
LEGACY 23-21	21	12.91	9.00	13.00
LEGACY 23-20.5	20.5	12.91	8.50	12.50
LEGACY 23-20	20	12.91	8.00	12.00
LEGACY 22-19.5	19.5	11.91	7.50	12.50
LEGACY 22-19	19	11.91	7.00	12.00
LEGACY 22-18.5	18.5	11.91	6.50	11.50
LEGACY 21-18	18	10.66	6.00	12.25
LEGACY 21-17.5	17.5	10.66	5.50	11.75
LEGACY 21-17	17	10.66	5.00	11.25

*NOMINAL DIMENSION



SIDE VIEW



FRONT VIEW

Specification Number:	SRS-300		
Product Description:	Legacy Starting Platform		
S.R. Smith Part Number:	Legacy 21-17 to Legacy 26-30	Scale:	NTS
Revision:	C	Date:	01/10/06
Written By:	T. Weil	Date:	04/09/03
Approved By:	B. Bisceglia	Date:	04/10/03
Page 1 of 2	Proprietary and confidential: The information contained in this specification is the sole property of S.R. Smith LLC. Any reproduction in part or whole without the written consent of S.R. Smith LLC is prohibited.		

S.R. Smith, LLC
P.O. Box 400, 1017 SW Berg Parkway
Canby, Oregon 97013
Tel: (888) 677-7776 (503) 266-2231
Fax: (503) 266-4334
www.srsmith.com



S.R. Smith LLC Commercial Division

Product Specifications - Written

Product Name: Legacy Starting Platform

Part Number: Legacy 21-17 to Legacy 26-30

General Notes:

The **Legacy Starting Platforms** are designed for use on competitive pools. The weldment is stainless steel and is powder coated for corrosion resistance. The anchor is replaceable and is designed to prevent “rocking”. This platform can be ordered to fit almost any deck and water height variable.

Application:

Depending upon installation design and local codes, this model is suitable for use on competitive pools. The deck to water level dimension indicates which platform is to be used as well as the setback from the pool wall.

Specifications:

- 1 Step and Platform: Both the step and platform are constructed of an acrylic outer body skin and a non-slip, sanded tread over a solid laminated board covered with hand-laid fiberglass and resin roving. The platform is mounted onto the weldment at a 10° angle. The step dimensions are 8” x 12 (203.20mm x 304.80) and the platform dimensions are 24” x 30 (609.60mm x 762.00).
- 2 Platform Frame: The Legacy platform frame is constructed of 2.5 in² (63.5mm²) x .120 in (3.05mm) wall stainless steel tubing. The footboard and backstroke bar are attached to 1.5 in² (38.10mm²) x .065 in wall (1.65mm) stainless steel tubing and have caps welded to the ends. A backstroke bar constructed of 1.00” O.D. x .065 wall (25.40mm x 1.65) stainless steel tubing is also capped with stainless steel. The gussets and footboard plate are made of .188” (4.76mm) stainless steel. The frame is powder coated for added corrosion resistance. See page 1 for specific part numbers.
- 3 Escutcheon: This square escutcheon plate is stamped from .063” (.58mm) polished 304 series stainless steel. The outer dimensions are 5” x 5 x 1/2 (127mm x 127 x 12.70). The escutcheon is powder coated to match the platform frame.
- 4 Anchor: (p/n 27-107, see spec sheet for SRS-920) This single post anchor assembly is specially designed to prevent rocking and the liner can be replaced when worn. The assembly consists of a housing constructed of 4.00 in² (101.60mm²) x .120” wall (3.05mm) stainless steel tubing welded onto a 4.5 in² (114.30mm²) flange. The anchor is threaded and comes with a 1/4-20 UNC stainless steel grounding screw for bonding. The insert is made of urethane resin to facilitate removal of the platform. A stainless steel cap is provided to mount flush on the deck when the platform is removed.

Additional Product Numbers: See page 1 for specific part numbers.

Shipping weight: N/A.

Specification Number:	SRS-300		S.R. Smith, LLC P.O. Box 400, 1017 SW Berg Parkway Canby, Oregon 97013 Tel: (888) 677-7776 (503) 266-2231 Fax: (503) 266-4334 www.srsmith.com
Product Description:	Legacy Starting Platform		
S.R. Smith Part Number:	Legacy 21-17 to Legacy 26-30		
Revision:	C	Date: 01/10/06	
Written By:	T. Weil	Date: 04/09/03	
Approved By:	B. Bisceglia	Date: 04/10/03	
Page 2 of 2	<small>Proprietary and confidential: The information contained in this specification is the sole property of S.R. Smith LLC. Any reproduction in part or whole without the written consent of S.R. Smith LLC is prohibited.</small>		