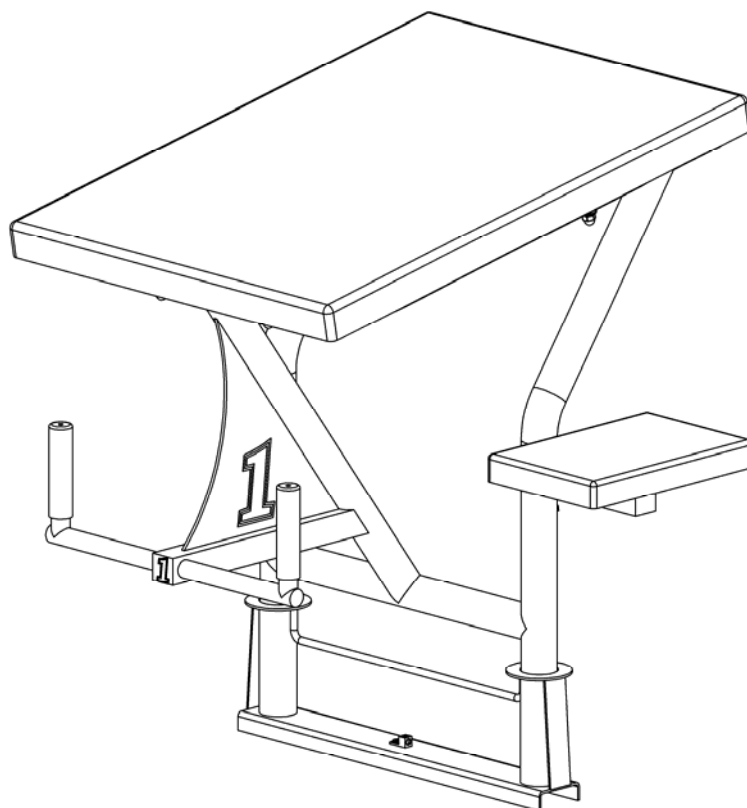




## LEGACY II SIDE MOUNT STARTING PLATFORM

### INSTALLATION INSTRUCTIONS



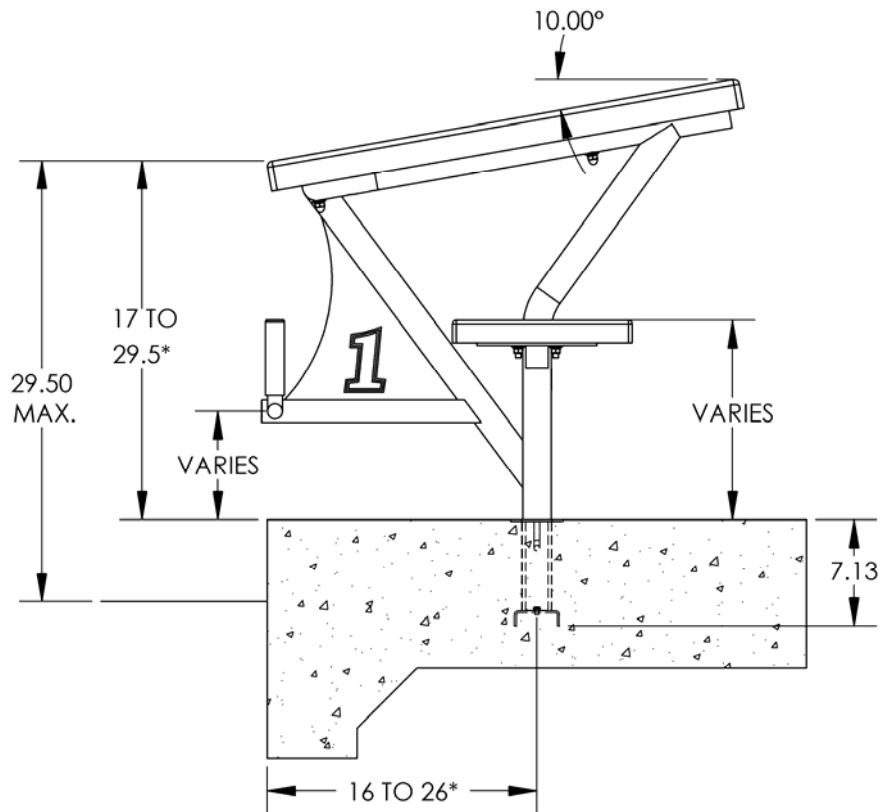
CORPORATE HEADQUARTERS  
WESTERN SALES AND MANUFACTURING PLANT  
P.O. Box 400 • 1017 SW Berg Parkway  
Canby, Oregon 97013  
(503) 266-2231 • Fax (503) 266-4334  
[www.srsmith.com](http://www.srsmith.com)

## INTRODUCTION

The Legacy II Side Mount Starting Platform is designed for use on competitive or municipal pools. Proper installation, use, and maintenance are essential for proper operation and to reduce the risk of accident or injury.

### **\*\*IMPORTANT\*\***

Check entire box and inside all packing materials for parts. Before beginning assembly, read the instructions and identify parts using the figures and parts listed in this document. It is critical that all parts be carefully inspected by the installer prior to installation to ensure that no damage occurred in transit and that a damaged part is not used. Proper installation cannot be overstressed, as an improper installation voids S.R. Smith's warranty and may affect the safety of the user.



**FIGURE 1**

\* Height and setback dimensions to be determined by customer at time of order

## LEGACY II SIDE MOUNT STARTING PLATFORM PARTS LIST

ITEM NO.	QTY.	PART NO.	DESCRIPTION
1	1	LSM FRAME-1	LEGACY II SIDE MOUNT FRAME
2	1	8-624B	FOOTBOARD LEGACY II SIDE MOUNT COMPLETE
3	1	74-228-2282	PLATFORM 8 X 12 (STEP)
4	8	05-32-111	3/8" NYLON PROTECTIVE WASHER
5	8	5-145	3/8" FLAT WASHER S/S
6	8	5-151	3/8" LOCK WASHER, SPLIT S/S
7	4	5-156	3/8" ACORN NUT S/S
8	4	5-139	3/8" HEX NUT S/S
9	2	8-600	HAND GRIP WHITE-BACKSTROKE BAR
10	2	8-833	4" BLK/WHT VINYL NUMBER
11	3	8-832	1.25" BLK/WHT VINYL NUMBER
12	1	27-105	ANCHOR ASSY - DUAL POST PLATFORM

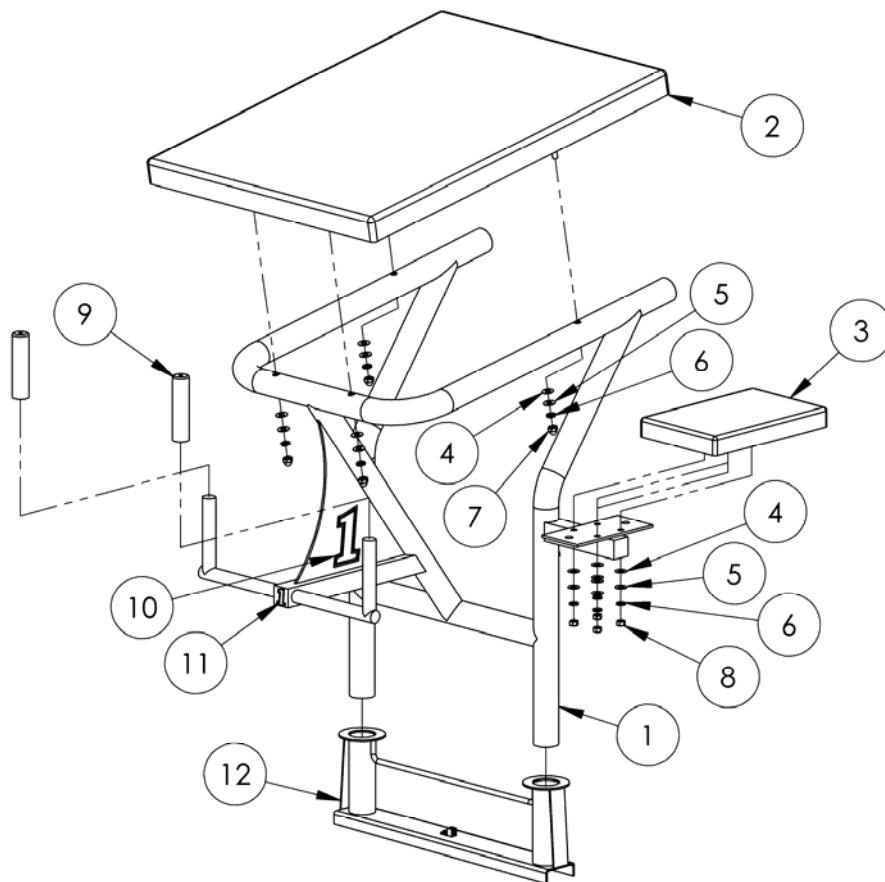
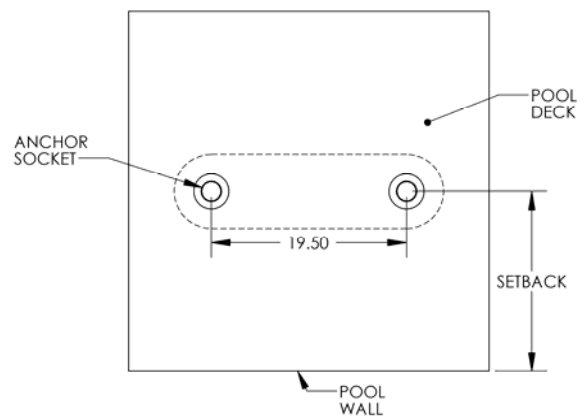


FIGURE 2

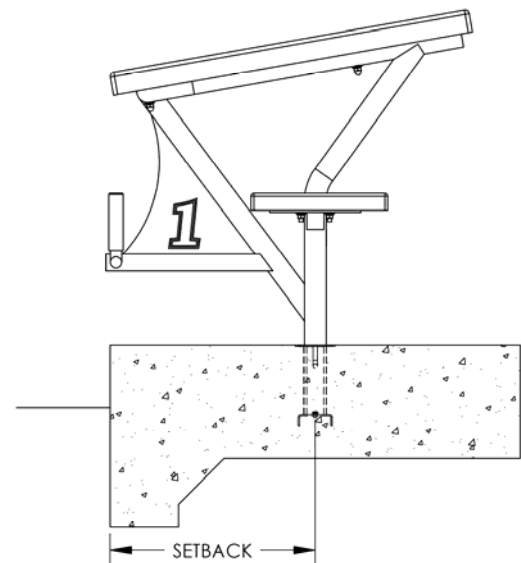
# LEGACY II SIDE MOUNT ANCHOR INSTALLATION

The Legacy II Side Mount Starting Platform anchor can be installed in an existing pool deck or set when pouring a new concrete deck.

1. The setback for the anchor must be set using the correct distance from the pool wall and with at least 6" from any control joint or edge of concrete slab. The correct anchor setback distance depends on the starting platform frame configuration ordered. When the starting block is installed, the backstroke handles and leading edge of the footboard shall be flush with the pool wall. Refer to **FIGURES 3 & 4**.
2. To install the anchor in an existing deck, use a concrete cutting core drill of at least 6 inches in diameter. Drill two holes 19-1/2" on center at least 7-1/4" deep. Cut out the remaining concrete using a concrete saw, making two straight cuts parallel to the pool wall and tangent to the 6 inch diameter holes as shown by the dashed line in **Figure 3**. For either new or an existing pool deck, the anchor shall be braced so it is not moved from its proper position during pouring of the deck.
3. Properly bond the anchor socket using the attached bonding lug and the appropriate bonding wire per local codes. The anchor must be bonded in accordance with the current National Electrical Code or the local code whichever is greater.
4. With the anchor completely checked for level and plumb in the selected position, pour hydraulic cement or high strength epoxy into the hole making sure there are no void spaces if installing in an existing deck. If installation is new construction, ensure anchor is in its proper location and square to the pool wall before pouring concrete.
5. Let cement/grout cure for at least 24 hours (or minimum manufacturer's recommendations) before using starting platform.



**FIGURE 3**



**FIGURE 4**

## STARTING PLATFORM INSTALLATION AND REMOVAL:

When placing a starting platform into an anchor it's important to follow these simple instructions.

1. Ensure that the ends of the post tubes are parallel to the pool deck while inserting the starting platform into the anchor.
2. Make sure that both anchor sockets are free of debris. Place the starting platform into the anchor making sure that the platform frame rests completely on the bottom of the anchor and the forward edge of the starting platform faces the pool edge.
3. To remove the starting platform, lift the frame vertically, keeping the step parallel to the pool deck.

### **SAFETY & MAINTENANCE INSTRUCTIONS**

- **Execute shallow racing dives only.**
- For use by trained competitive swimmers only.
- Periodically inspect the Legacy II Side Mount Starting Platform to assure there are no worn parts and that all hardware is properly tightened.
- Use non-abrasive soap and water to clean all surfaces. Avoid harsh chemicals and disinfectants. Always read the label instructions on any cleaner carefully before applying it to a surface.