

full-line catalog

2010



more new ways to grow!

SRSmith™

access for more **CUSTOMERS**

Means access to more customers.

Access to aquatic environments is vitally important to the quality of life for both mobility challenged individuals and seniors. A pool provides the optimal setting for low impact exercise or therapy. Fear of falling and other traditional land-based concerns virtually disappear when exercise is moved into the pool.

As our society ages, the mobility challenged population increases, as does the need for safe and accessible pools. So start making your pools more accessible today with an S.R. Smith solution. Our line of powered lifts include the industry's leading Portable Aquatic Lift (PAL), its semi-portable counterpart, the Splash!, our newest entry level model, the aXs (Access), as well as, our manually operated model the Handy-Lift.

Learn more about our pool accessibility solutions at www.poollifts.com or call 1-800-577-4424.



The World Leader in Swimming Pool Deck Equipment



What's New! in 2010



Pool Lifts

pages 2 – 9



**Salt Pool
Jump Stand**

page 28



**Salt Pool Basket-
ball and Volleyball**

page 49



**PoolSonix
Gate Alarm**

page 85



BigRide XL

page 90



AquaDirector

page 121

Table of Contents

ACCESSIBILITY PRODUCTS	2	Parallel Look Ladder	57	STARTING PLATFORMS	106
PAL	4	Residential Ladder	57	Legacy	108
Splash!	5	Snap-lok	57	Legacy Long Reach	108
aXs	6	Standard Plus Commercial Ladder	58	Legacy Side Mount	108
Handy Lift	7	Rails		Legacy II	110
Accessories	8	Custom Rails	60	Legacy II Side Mount	110
Order Form	9	2 & 3-Bend	60	RecordQuest™	112
BOARDS + STANDS	10	California Pretzel	62	RecordQuest Long Reach	112
2/3 Meter Deck Level Stand	12	Commercial Ring	62	Varsity Deluxe	114
Cantilever Stand	14	Deck Mounted Stair Rails	63	Universal	116
Deluxe 1 & 3 Meter Towers	16	Excercise, Training & Therapeutic	65	RockSolid™ Anchor	117
Econoline	18	Figure 4	66	WATER FEATURES	118
Flyte-Deck™ II	20	P Rails	67	WetDek	120
FreeStyle™ & HipHop™	22	PR 500	67	AquaDirector	121
Frontier II	24	Pretzel	68	Deck Jets	121
Fusion	26	Residential Ring	68	PARTS	122
Salt Pool Jump System	28	Spa Rail	69	Anchors	122
Steel Meter: 1/2, 3/4, 1	30	SealedSteel™	70	Escutcheons	125
Supreme	32	Stanchions	71	Ladder Parts & Accessories	127
U-Frame™	34	LIFEGUARD CHAIRS	72	Flanges	129
Frontier IV Board	35	Cantilever	74	Epoxy Kits	130
Diving Board Part Numbers	36	Guardian	75	Circulation System parts	130
Boards & Stands Selector	38	Institutional	76	Vacuum Parts	131
ANSI-NSPI-1 2003 Standard for Public Pools	39	Low Profile	77	Miscellaneous Parts	135
ANSI-NSPI-5 2003 Standard for Residential Inground Pools	40	O-Series	78	Product Care & Maintenance	136
Diving Board Identification Guide	42	Outlook I & II	79	Terms & Conditions of Sale	138
Jig Identification Guide	45	PLS Standard	80	Warranty	140
POOL GAMES	48	Vista	81	Index	141
Swim N' Spike Volleyball	49	POOL SECURITY	82		
Swim N' Dunk Basketball	50	PoolSonix	84		
LADDERS + RAILS	52	PoolSonix Gate Alarm	85		
Ladders		POOL SLIDES	86		
Camelback Ladder	54	AquaBlast™	88		
Commercial w/safety Ladder	54	BigRide™ & BigRide™ XL	90		
Dade County Ladder	55	Cyclone	92		
Dock Ladder	55	RocketRide™	94		
Easy-Out Therapeutic Ladder	56	Rogue™ GrandRapids™	96		
Economy Ladder	56	Swim Club II	98		
On-Ground Ladder	56	TurboTwister	100		
		Typhoon	102		
		Vortex	104		



Accessibility Equipment

S.R.Smith is known for having the best products in the categories that we offer, so it would only make sense that when adding a complete line of pool lifts to our portfolio of deck equipment, we would offer the best available. Since 1996, RehaMed has been the world leader in swimming pool access equipment, and in fall of 2009, RehaMed joined the S.R.Smith family.

Location and Usage

Whether you need a basic lift on your backyard pool for a disabled or aging family member, or something heavy-duty, that enables allowing multiple points of access for public pools — we have a pool lift that will work for you.

PAL — Portable, suitable for heavy-duty use in public facilities

Splash! — Semi-permanent, suitable for heavy-duty use in public facilities

aXs — Semi-permanent, suitable for personal or small facility use

Handy Lift — Semi-permanent, appropriate for personal use

Compliance

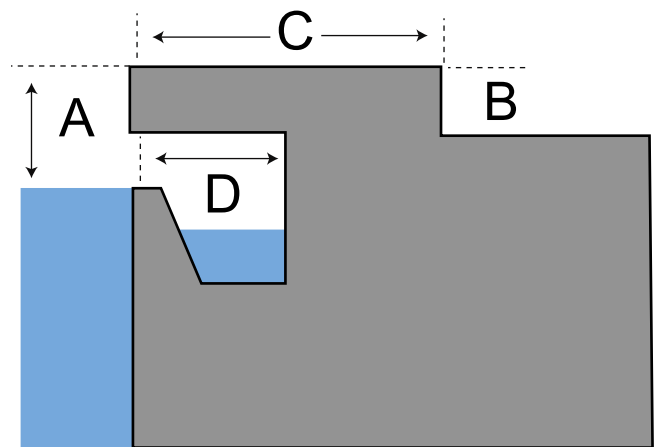
The Americans with Disabilities Act requires that new pool construction and renovated public aquatic facilities be accessible for individuals with disabilities. The following is a chart showing acceptable means of access in relation to the pool's size:

Pool Size (linear feet pool wall)	Slope	Lift	Transfer Wall	Stairs	Transfer System
> 300 ft	•	•	•	•	•
< 300 ft	•	•			
Spa		•	•		•

Pool lifts are a great option in every case. The state of California also has a set of additional requirements that we have kits for that make compliance easy.

Getting the Right Fit

When measuring your pool for a lift, in general you will need to take the following measurements (not all dimensions will be applicable to you).



- A** = deck to water
- B** = height of curb
- C** = width of curb
- D** = width of gutter

Download our pool lift deck profile sheet at: www.srsmith.com/liftprofile or see page 9.

PAL Series



Since its introduction in 1997, the PAL Portable Aquatic Lift has become the industry standard for providing access to swimming pools. The completely portable PAL is the perfect accessory for any commercial aquatic facility.

- Meets or exceeds Americans with Disabilities Act Access Guidelines (ADA/ABA 2004)
- 300 pound lifting capacity
- Completely portable – no deck fixtures and easy to move by one person
- Conveniently stores away when not in use
- Powered by a 24-volt rechargeable battery
- User operable via waterproof hand control
- 240° rotation ensures a safe transfer area
- Made from powder-coated stainless steel and aluminum

Descriptions for other variations:

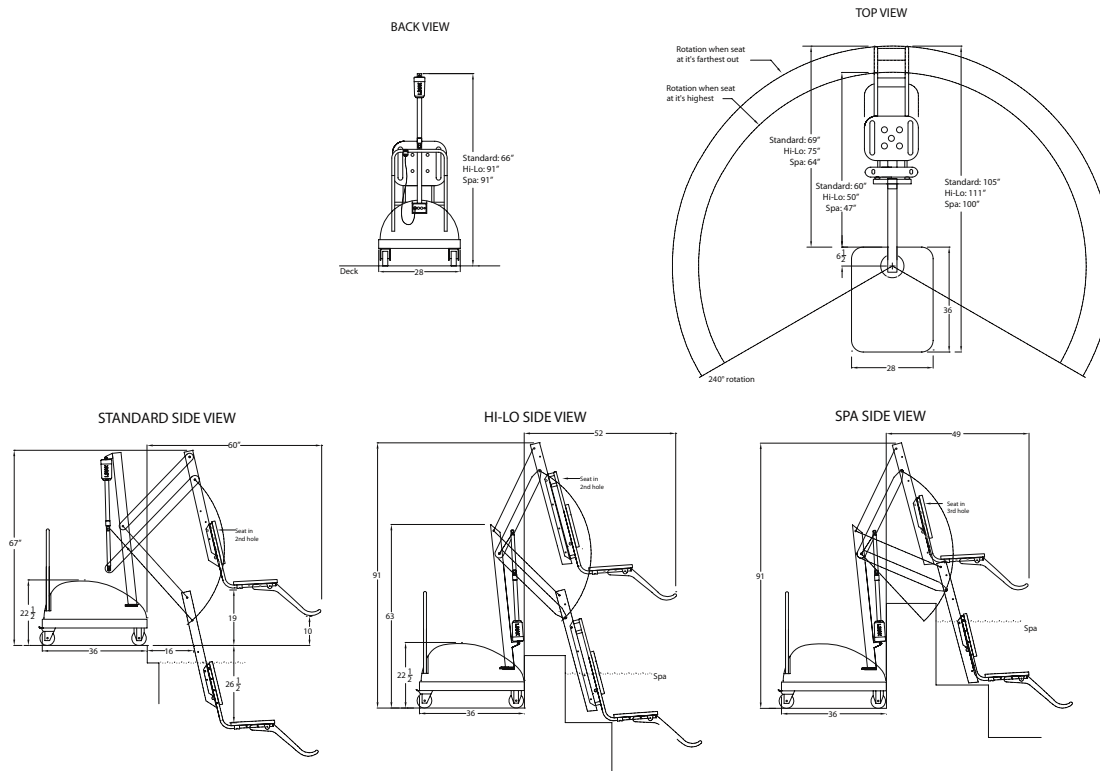
- PAL Hi/Lo – A variation of the PAL useful for facilities that have both in-ground pools and above ground spas.
- PAL Spa – Designed for above ground pools and spas up to 48" above the pool deck.

Model No.	Description	Shipping Wt.	L	W	H
200-0000	PAL	1,100 lbs.	40"	48"	60"
250-0000	PAL Hi/Lo	1,100 lbs.	40"	48"	60"
275-0000	PAL Spa	1,100 lbs.	40"	48"	60"

Includes battery, charger, battery console cover, waterproof control, footrest and seatbelt assembly

Accessories:

- 170-1000 Arm Rest Assembly
- 920-2000 Total Cover
- 500-1000 Spineboard Attachment
- 900-2000 Stability Vest
- 100-1400 Wireless Controls



Splash! Series



This semi-portable lifting system is designed for swimming facilities seeking to provide user-friendly access to their swimming pools.

- Meets or exceeds Americans with Disabilities Act Access Guidelines (ADA/ABA 2004)
- 400 pound lifting capacity*
- Semi-permanent installation – easily removable from anchor
- Powered by a 24-volt rechargeable battery
- User operable via waterproof hand control
- 359° rotation ensures a safe transfer area
- Made from powder-coated stainless steel and aluminum

*Lifting capacity of the Extended Reach model is 300 pounds

Model No.	Description	Shipping Wt.	L	W	H
300-0000	Splash!	275 lbs.	40"	48"	60"
350-0000	Splash! Hi/Lo	275 lbs.	40"	48"	60"
370-0000	Splash! Extended Reach	325 lbs.	40"	48"	78"
375-0000	Splash! Spa	275 lbs.	40"	48"	60"

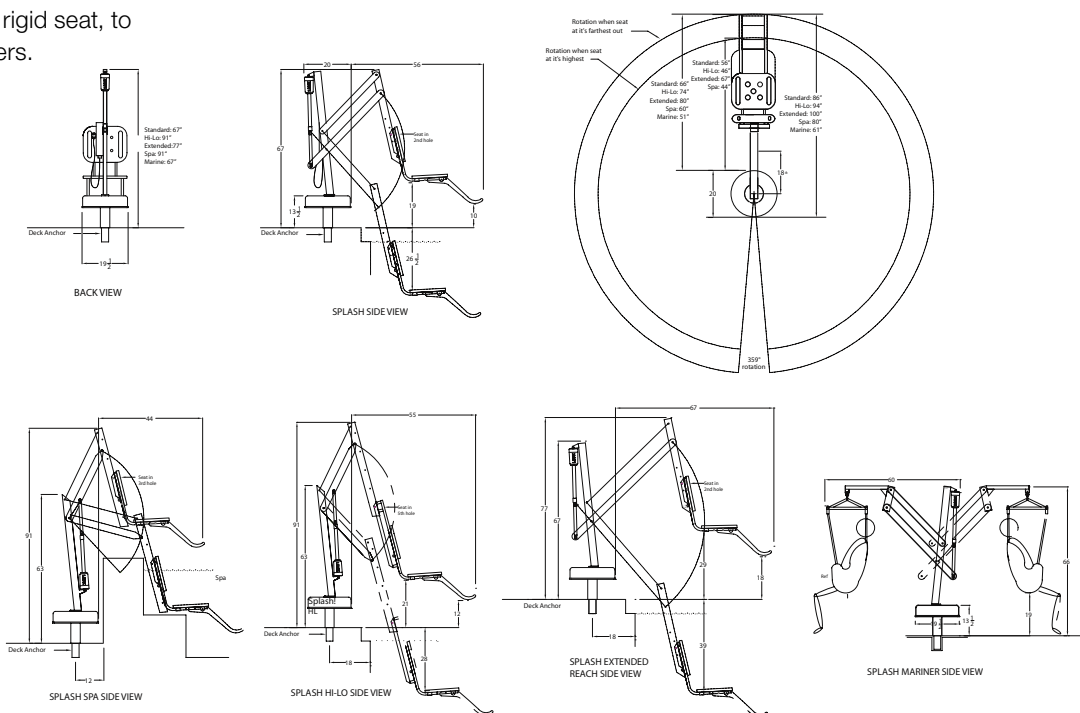
Includes battery, charger, battery console cover, waterproof control, stainless steel anchor socket with cover, footrest and seat belt assembly

Descriptions for other variations:

- Splash! Hi/Lo – A variation of the Splash! useful for facilities that have both in-ground pools and above ground spas.
- Splash! Spa – Designed for use with spas up to 48" above the deck.
- Splash! Extended Reach – For use with pools with unusual gutter configurations requiring a longer reach.
- Splash! Mariner – Designed to transfer the user from a dock to a boat, it uses a sling instead of a rigid seat, to eliminate physical transfers.

Accessories:

- 400-0000 Caddy
- 170-1000 Arm Rest Assembly
- 940-3000 Total Cover
- 940-1000 Mast Cover
- 500-1000 Spineboard Attachment
- 900-2000 Stability Vest
- 100-1400 Wireless Controls
- 960-1000 Mariner Sling



aXs Lift



The aXs lift is a perfect accessory for any backyard pool, where its low profile and attractive appearance make swimming pool access easy.

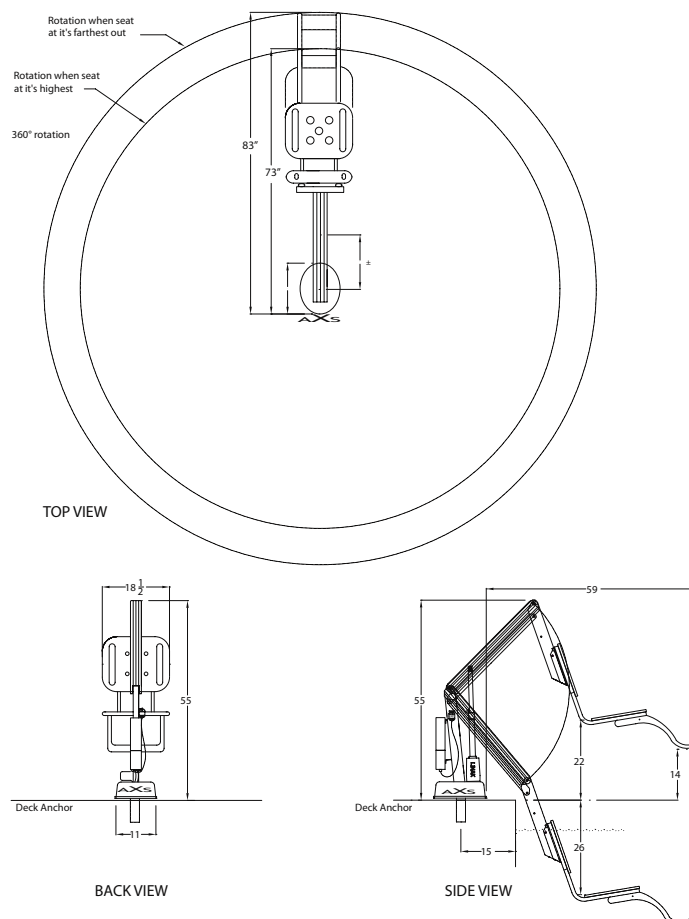
- Meets or exceeds Americans with Disabilities Act Access Guidelines (ADA/ABA 2004)
- 300 pound lifting capacity
- Semi-permanent installation – easily removable from anchor
- Powered by a 24-volt rechargeable battery
- User operable via waterproof hand control
- 360° rotation ensures a safe transfer area
- Made from powder coated stainless steel and aluminum

Model No.	Description	Shipping Wt.	L	W	H
AXS1000	aXs	225 lbs.	40"	48"	48"

Includes battery, charger, battery console cover, waterproof control, stainless steel anchor socket with cover and spanner key, footrest and seat belt assembly

Accessories:

- AX2320 Arm Rest Assembly
- AX9000 Total Cover
- 500-1000 Spineboard Attachment
- 900-2000 Stability Vest
- 100-1400 Wireless Controls



Handy Lift



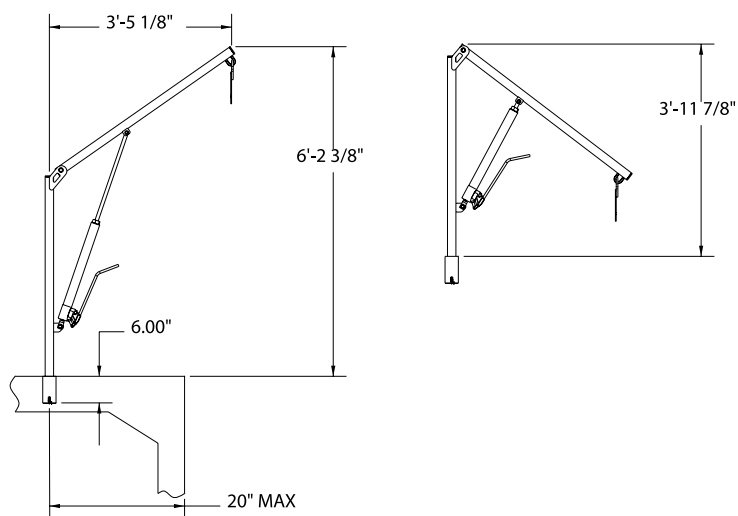
This completely manual hydraulic lift is for residential use only and does not meet ADA guidelines.

- 400 pound lifting capacity
- Semi-permanent installation – easily removable from anchor
- Manual operation by someone other than the user
- Made of 1.90" OD x .145" wall stainless steel
- Heavy-duty mesh sling is included for easy transfer to and from the pool

Item No.	Description	Shipping Wt.	L	W	H
HDYL-100	Handy-Lift	59 lbs. (2 boxes)	56" 6"	16" 6"	4" 3"
60-801	Actuator	15 lbs.	28"	17"	5"
27-101	Anchor Assembly	3.7 lbs.	6"	6"	3"
8-611	Sling Assembly	2 lbs.	6"	6"	3"
9-300	Chain Assembly	1.5 lbs.			
69-209-103	Hardware Kit	.5 lbs.			

Handy-Lift Access Lift Data

Mast	1.90" x .145" S.S. Type 304
Boom	1.90" x .145" S.S. Type 304
Anchor	2 1/2" SCH 40 Pipe S.S. Type 304 with grounding lug
Hanger Bar	3/16" S.S. Type 304 Plate
Sling	Heavy duty Dacron mesh



Accessories



Stability Vest – The stability vest was designed to facilitate the transfer of individuals with limited or no independent upper body or trunk stability. The vest attaches the user to the chair, strapping them in for support.

Stability vest	900-2000
----------------	----------



Arm Rests – Optional, flip-up armrests are available for all lifts. This accessory item can be retrofitted to a lift after it has been delivered. The armrests are available in white, for PAL and Splash! models, and in gray for the aXs.

PAL & Splash!	170-1000
aXs	AX2320



Seat Pad – White, waterproof seat pad designed to enhance comfort and minimize potential skin damage that could occur during transfer is available as an optional accessory.

Seat pad	890-1000
----------	----------



Spine Board Attachment – The Spine Board Attachment works with any standard spine board (not included). Simply remove the chair assembly by pulling the attachment pin and replace that assembly with the Spine Board Attachment. One person can easily extract an injured swimmer from a pool, keeping the injured person fully supine during the procedure.

Spine board attachment	500-1000
------------------------	----------



Custom Covers for PAL, Splash! and aXs Models – Protect your investment with a full, all-weather cover, made from Solution Dyed Polyester.

PAL	920-2000
Splash!	940-3000
aXs	AX9000



Battery Console Covers for PAL and Splash! Models – Made of Solution Dyed Polyester.

PAL	920-1000
Splash!	930-1000
aXs	AX9002



Splash! Caddy – The Splash! caddy facilitates handling, transporting and storing a Splash! aquatic lift. Fabricated from rugged steel for strength and powder-coated for appearance, the Splash! caddy helps to protect both your investment and your staff. The caddy simplifies both insertion and removal of the connector shaft into the insert in the pool deck and becomes a convenient storage rack for the lift when not in use.

Splash! Caddy	400-0000
---------------	----------

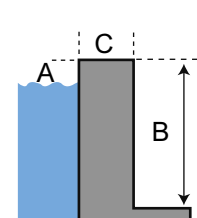
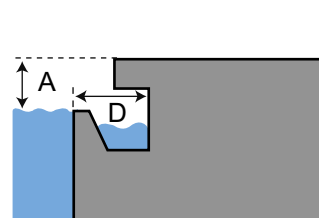
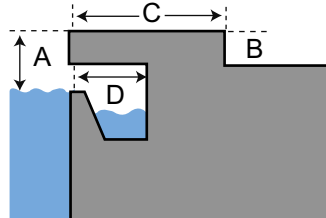
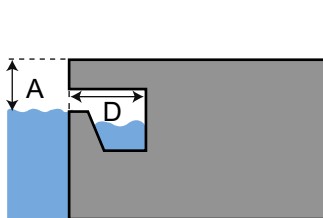
deck profile sheet

pool lifts

1. Preferred Lift: PAL Splash! aXs

2. Gutter Configuration:

Fully recessed gutter Fully recessed gutter w /parapet Partially recessed gutter Above ground spa

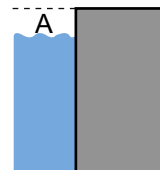
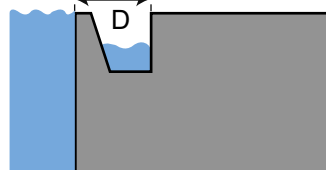
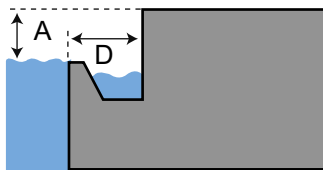


Rollout gutter

Flush gutter and deck w/ or w/o bullnose

Standard backyard pool

Other: (please draw)



3. Deck Material (check one): Concrete Pavers Wood (Please request wood deck worksheet)

4. Distance from pool deck to water line (A): _____

If applicable:

5. Height of curb (B): _____

6. Width of curb (C): _____

7. Width of gutter (D): _____

8. Decorative stone setback: _____

Note: As pools may vary, please insert accurate measurements for your pool in the space provided. Manufacturer will configure the lift to match your unique poolside specifications. Order cannot be processed without the required fields entered above.

Fax this completed form to 503.266.4334 or email to sales@srsmith.com

Project Name	City	State
--------------	------	-------

Project Contact Name	Email	Phone
----------------------	-------	-------

S.R.Smith Customer Name	PO Number
-------------------------	-----------

Contact Name	Email	Phone
--------------	-------	-------

toll free 800.824.4387
 fax 503.266.4334
 web www.poollifts.com





Diving Boards + Stands

To ensure maximum safety and performance of your diving equipment, here are some things to consider when selecting a diving board for your pool.

Board Flexibility/Reaction

Diving boards come in a wide range of shapes, styles and with varying degrees of flex or spring. Boards and stands are defined in three distinct ways, according to their level of flex:



Jump Boards – a flexible board on a base that utilizes a spring mechanism.

Diving Boards – a flexible board on a rigid base.

Jump Platform – a rigid board on a rigid base.

The type of combination you may have on your pool is limited by the size of pool's diving envelope. For more information on where it is appropriate to use a Jump Board or Diving Board, please see page 41.

Pool Type

The pool industry association has authored a safety standard that outlines which types of board and stand combinations (listed above) are appropriate for pools, based on the size of the pool's diving envelope. Residential pools can be defined as a Type 0 through a Type V. Public pools can be defined up through a Type IX. See pages 39-41 for more details.



A pool type is determined by a series of depth measurements at different spots in the pool. You can learn more about how to type your pool through our online Certified Professional Installer Course at

www.srsmithcpi.com

We also have a set of professional tools that can aid you in measuring and typing your pool. You can find them at www.srsmith.com/pooltools

New, Replacement, or Retrofit?

While all of our diving boards can be installed on new pools, provided they meet safety standards, we also have a couple of options for replacement diving boards.

- To retrofit a diving board to an existing pool, you can drill holes in the deck and use one of our epoxy kits (page 128) for jig installation.
- To replace an existing diving board with something new, take a look at our jig identification guide on page 45. A wide variety of our boards and stands utilize the same jig, so upgrading your stand and board combination is simple.

Aesthetics

All of our diving boards are available in beautiful designer colors to match your backyard décor, even colors to complement your pool slide or powder coated or SealedSteel rails.

Environmental corrosives can affect the way your pool looks too. S.R.Smith uses only stainless steel hardware and also has a variety of stands with minimal exposed metal that will perform well in challenging pool environments.

S.R.Smith is a proud founding member of the Diving Board Safety Network.

DivingBoardSafety.net



2/3-Meter Deck Level Stand

This versatile, mid-sized tower is a great choice for an aquatic facility that is limited on space.

- Made of carbon steel, coated with a primer and ready for a high-quality paint topcoat.
- Pair with an 8', 10' or 12' board to find the right size for your commercial diving pool.
- Platform tray has two sets of 6" slots for proper fulcrum placement and adjustment.
- Handrails are not included but are strongly recommended and are made of 1.90" OD, .065" wall stainless steel.
- Stand comes primed only – we recommend a high-quality acrylic urethane enamel for a durable finish.

Pairs with:



Frontier III Commercial



Swim Club



Olympian

Item No.	Board	Shipping Wt.	L	W	H
DLS-100	8'	130 lbs.	63"	36"	18
DLS-100	10'	130 lbs.	63"	36"	18
DLS-101	10'	140 lbs.	63"	36"	18
DLS-101	12'	140 lbs.	63"	36"	18
25-104	DLS-100 Handrails (Order Separately)	40 lbs.	56"	36"	18
25-106	DLS-101 Handrails (Order Separately)	40 lbs.	68"	35"	2

NOTES

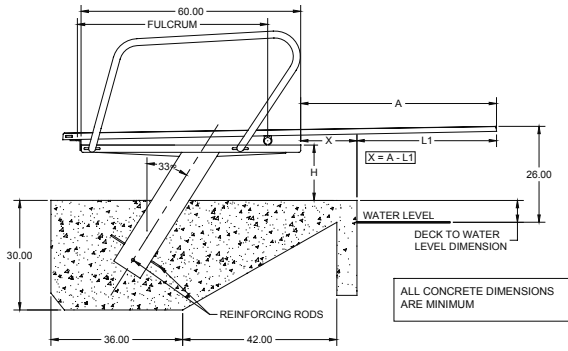
Diving boards and towers are sold separately
*Not recommended for salt chlorine pools

All installations must comply with all applicable local and national codes and installation must be completed in accordance with S.R.Smith installation instructions.

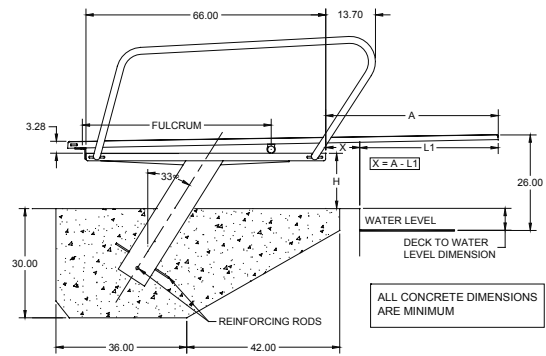
See pages 36 for diving board part numbers.

www.srsmith.com

DLS-100

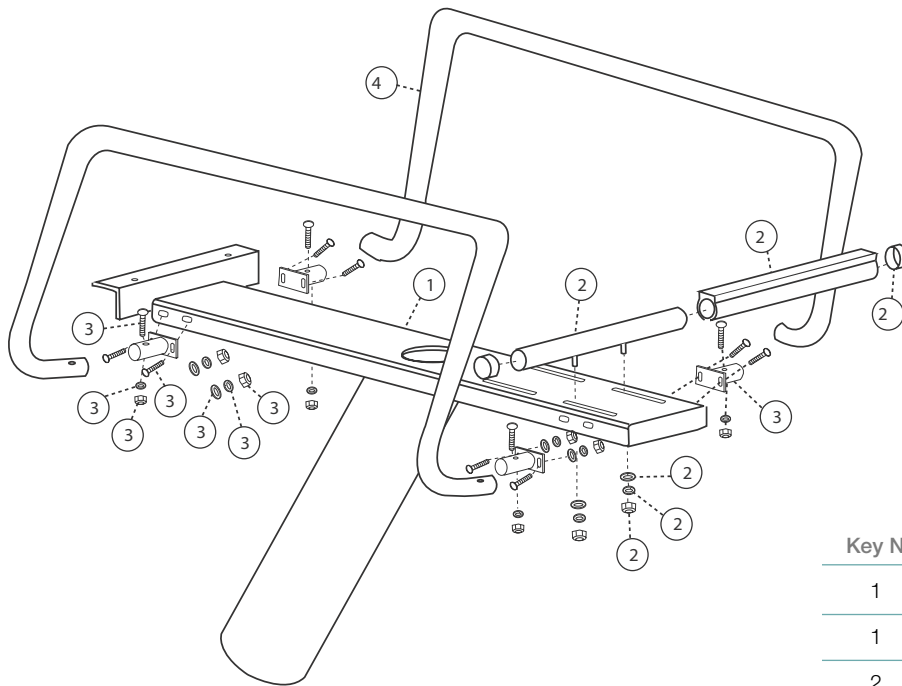


DLS-101



Installation Dimensions

MODEL NO.	BOARD	FULCRUM	"A"	"H"
DLS-100	8'	40"	29 1/2"	H = 20" – DECK TO
	10'	52"	53 1/2"	WATER LEVEL
DLS-101	10'	52"	47 1/2"	H = 20" – DECK TO
	12'	62"	71 1/2"	WATER LEVEL



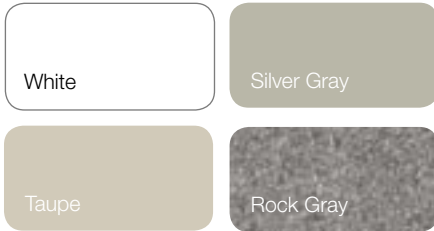
Key No.	Part No.	Description
1	DLS-100A	DLS-100 Stand
1	DLS-101A	DLS-101 Stand
2	25-103	Fulcrum Assembly
3	25-200	Handrail Bracket Kit
4	25-104A	DLS-100 Handrails
4	25-106A	DLS-101 Handrails



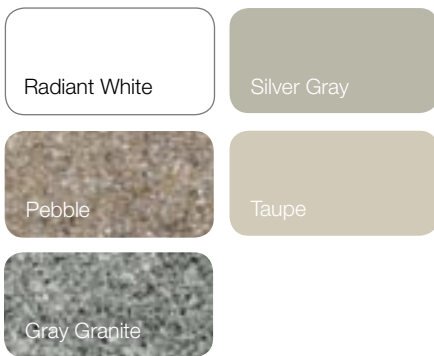
Cantilever (606/608) Stand

- Made of strong steel, powder coated for increased corrosion resistance.
- 6' or 8' lengths – find the right size for your diving pool!
- Available in four colors to match your pool slide and backyard décor!
- Stainless steel hardware for added corrosion resistance.
- Board has a matching, non-slip sanded tread for maximum safety.

Stand Colors



Board Colors



Actual product colors may vary.

All installations must comply with all applicable local and national codes and installation must be completed in accordance with S.R.Smith installation instructions.

Pairs with:



Frontier III Board



Glas-Hide Board

See pages 36 for diving board part numbers.

www.srsmith.com

Cantilever Jump Stand with Frontier III Board*

Model No.	Size	Color	Shipping Wt.	3 boxes Shipping		
				L	W	H
68-210-59610	6'	Taupe	132 lbs.			
68-209-5962	6'	Radiant White	132 lbs.	52 lbs.	74"	20" 3"
68-210-59621	6'	Silver Gray	132 lbs.	60 lbs.	16"	14" 12"
68-210-59623	6'	Pebble**	132 lbs.	20 lbs.	33"	18" 4"
68-210-59624	6'	Gray Granite**	132 lbs.			
68-210-59810	8'	Taupe	163 lbs.			
68-209-5982	8'	Radiant White	163 lbs.	70 lbs.	98"	20" 3"
68-210-59821	8'	Silver Gray	163 lbs.	60 lbs.	16"	14" 12"
68-210-59823	8'	Pebble**	163 lbs.	33 lbs.	41"	18" 4"
68-210-59824	8'	Gray Granite**	163 lbs.			

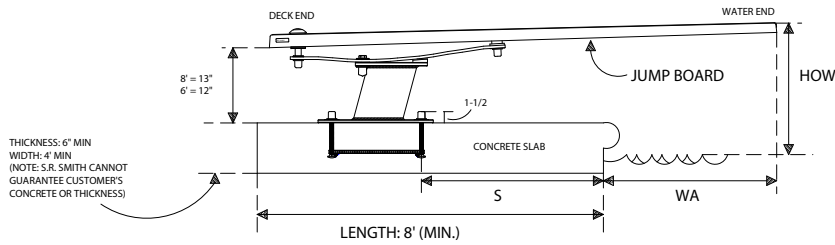
*Not recommended for salt chlorine pools

** Pebble board comes with taupe springs and stand, Gray Granite comes with pewter gray springs and rock gray stand.

Cantilever Jump Stand with Glas-Hide Board*

Model No.	Size	Color	Shipping Wt.	3 boxes Shipping		
				L	W	H
68-209-2062	6'	Radiant White	137 lbs.	57 lbs.	74"	20" 3"
				60 lbs.	16"	14" 12"
				20 lbs.	41"	18" 4"
68-209-2082	8'	Radiant White	168 lbs.			
				57 lbs.	98"	20" 3"
				60 lbs.	16"	14" 12"
				20 lbs.	33"	18" 4"

*Not recommended for salt chlorine pools

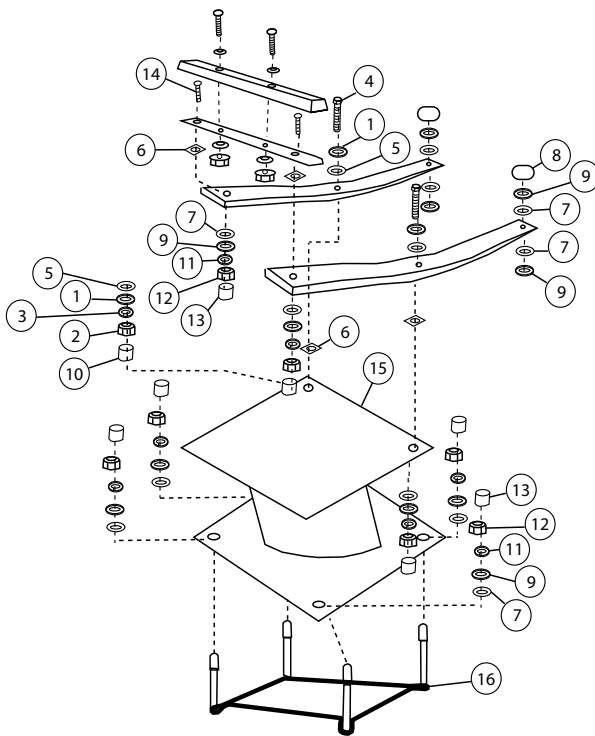


Installation Dimensions

Jump board size	ANSI/NSPI-5 Pool Type	Distance for setting front bolt of jig from water's edge (S)**	Minimum overhang plus or minus 3" (WA)*	Maximum height of board above water (HOW)
6'	I	32"	18"	20"
	II	32"	18"	20"
	III	26"	24"	26"
	IV	20"	30"	30"
	V	14"	36"	40"
8'	III	45"	24"	26"
	IV	39"	30"	30"
	V	33"	36"	40"

*S and WA dimension are valid only in conjunction with minimum depth at point A

**When coping is used do not set front bolts of jig closer than 3" from the back edge of the coping.



KEY NO.	PART NO.	DESCRIPTION	Kit A	Kit B	Kit C
A	69-209-021-SS	Cantilever Stand Base Bolt Kit			
B	69-209-020-SS	Fulcrum Bolt Kit			
C	69-209-019-SS	606/608 Spring Bolt Kit			
1	05-31-158	5/8" Flat Washer			•
2	05-31-159	5/8" Hex Nut			•
3	05-31-157	5/8" Lock Washer			•
4	05-31-156	5/8" x 2" Hex Head Bolt			•
5	05-631	5/8" x 1 3/4" Nylon Protective Washer			•
6	05-630	5/8" x 2" Square Nylon Washer		•	•
7	05-616	1/2" x 1 1/2" Round Nylon Washer	•	•	•
8	04-608	1" Spacer, Schedule 40 Pipe			•
9	05-14-132	1/2" x 1 3/8" Flat Washer	•	•	•
10	05-600	5/8" White Rubber Nut Cap			•
11	05-14-115	1/2" Lock Washer	•	•	
12	05-14-116	1/2" Hex Nut	•	•	
13	05-618	1/2" White Rubber Nut Cap	•	•	
14	05-31-170	1/2" x 10 1/2" Carriage Bolt			•
15	69-209-001	Cantilever Stand, White (jig included)			
	69-209-001-RG	Stand, Rock Gray			
	69-209-001-SG	Stand, Silver Gray			
	69-209-001-TP	Stand, Taupe			
16	69-209-006-SS	Jig			
	69-209-010-SS	9" Extended Bolt Jig			
	69-209-011-SS	10" Extended Bolt Jig			
	69-209-026	606 Spring Assembly, complete, white			
	69-209-028	608 Spring Assembly, complete, white			
	04-605-SS	Assembled Fulcrum			

Deluxe 1 & 3 Meter Towers



CAT-3M-203R
Right Mount



CAT-1M-203H
Heel Mount

- Made of carbon steel, coated with a primer – we recommend a high-quality acrylic urethane enamel for a durable finish.
- Available in 1 or 3 meter heights with either a dual, heel, left or right mount ladder
- Pair with 14' or 16' diving boards to find the right size for your commercial diving pool
- Handrails are included and are made of 1.90" OD, .065" wall stainless steel
- Comes standard with a quick adjustable fulcrum (QAF-100) and stainless steel handrails

Item No.	Description	Shipping Wt.	L	W	H
CAT-1M-203D	1 Meter Tower Dual Mount	1000 lbs.	132"	40"	48"
CAT-1M-203H	1 Meter Tower Heel Mount	1000 lbs.	132"	40"	48"
CAT-1M-203HA	1 Meter Tower Heel Mount w/alternate jig	1000lbs.	132"	40"	48"
CAT-1M-203L	1 Meter Tower Left Mount	900 lbs.	132"	40"	48"
CAT-1M-203R	1 Meter Tower Right Mount	900 lbs.	132"	40"	48"
CAT-3M-203D	3 Meter Tower Dual Mount	1400 lbs.	132"	40"	48"
CAT-3M-203H	3 Meter Tower Heel Mount	1250 lbs.	132"	40"	48"
CAT-3M-203HA	3 Meter Tower Heel Mount w/ alternate jig	1250lbs.	132"	40"	48"
CAT-3M-203L	3 Meter Tower Left Mount	1175 lbs.	132"	40"	48"
CAT-3M-203R	3 Meter Tower Right Mount	1175 lbs.	132"	40"	48"

Not recommended for salt chlorine pools

All installations must comply with all applicable local and national codes and installation must be completed in accordance with S.R.Smith installation instructions.

Pairs with:



Eureka



Frontier III Commercial



Swim Club

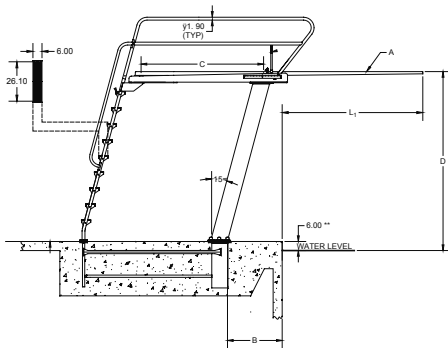


Olympian

See pages 36 for diving board part numbers.

www.srsmith.com

Installation Dimensions



Model	Board A	Pool Type	Distance for setting front bolt of jig from water's edge B	Fulcrum setting C+/-6"	Maximum overhang	Maximum height of board above water D
1 Meter	14'	VIII	36-5/16"	74"	4'-0"	39-3/8"
1 Meter	16'	VIII	60-5/16"	86"	4'-0"	39-3/8"
1 Meter	14'	IX	12-5/16"	74"	6'-0"	39-3/8"
1 Meter	16'	IX	36-5/16"	86"	6'-0"	39-3/8"
3 Meter	14'	IX	33-1/4"	74"	6'-0"	118-1/8"
3 Meter	16'	IX	57-1/4"	86"	6'-0"	118-1/8"

NOTES

Consult your local installation design codes to determine stand sizes and board lengths.

Diving boards and towers are sold separately.

*Dimensions vary according to the type of pool the tower is to be installed on. See 1 & 3 Meter Tower Installation Booklet for pool type and installation instructions.



CAT-1M-203L
Left Mount



CAT-3M-203D
Dual Mount

Econoline™ 1 Meter Stand



A durable, all-purpose diving tower for commercial aquatic facilities.

- Made of carbon steel, coated with a primer – we recommend a high-quality acrylic urethane enamel for a durable finish.
- Pair with 12' or 14' diving boards to find the right size for your commercial diving pool.
- Platform tray has two 6" slots for proper fulcrum placement and adjustment.
- 1.90" OD, .065" wall stainless steel handrails are not included but are required.

Pairs with:



Eureka (14' only)



Frontier III Commercial



Swim Club



Olympian

Item No.	Board	Shipping Wt.	L	W	H
E-CAT-1M-100	12'	315 lbs. (2 boxes)	86" 27"	21" 4"	59" 4"
E-CAT-1M-101	14'	365 lbs. (2 boxes)	92" 27"	21" 4"	59" 4"
25-106 Handrails (order separately)		40 lbs.			

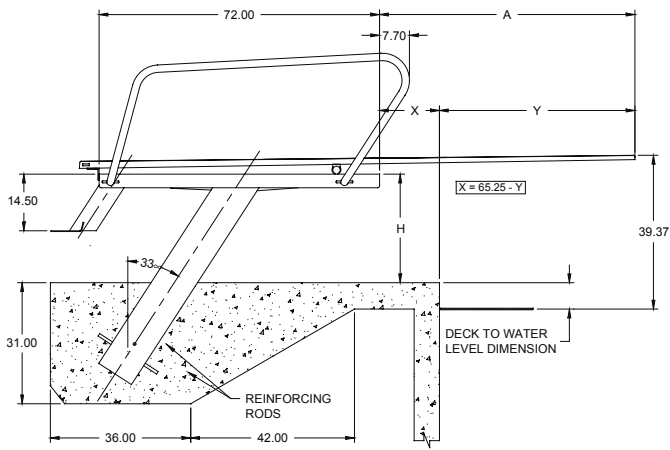
NOTES:

Diving Boards and Towers are Sold Separately. Not recommended for salt chlorine pools

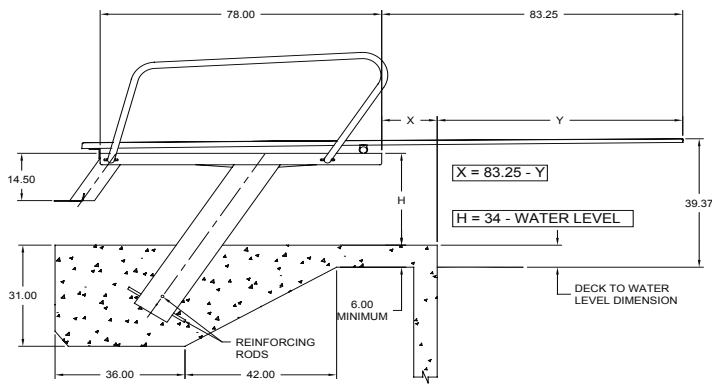
All installations must comply with all applicable local and national codes and installation must be completed in accordance with S.R.Smith installation instructions.

See pages 36 for diving board part numbers.

E-CAT-1M-100

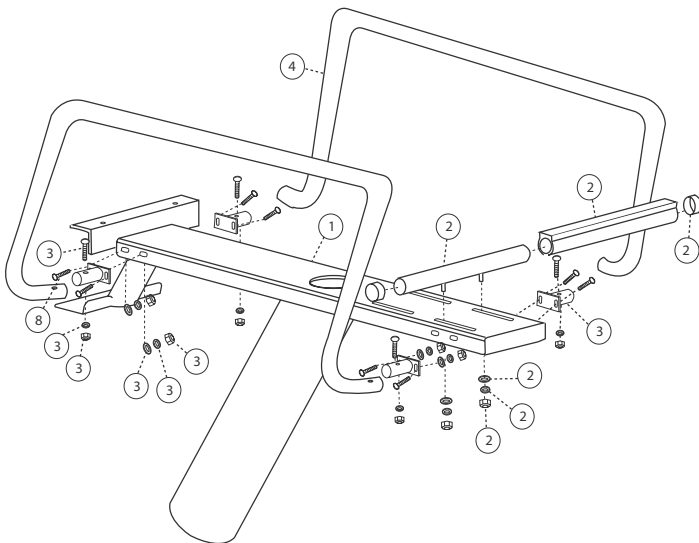


E-CAT-1M-101



Installation Dimensions

MODEL NO.	BOARD	FULCRUM	"A"	"H"
E-CAT-1M-100	12'	62"	65 ¹ / ₂ "	H = 34" – WATER LEVEL
E-CAT-1M-101	14'	74"	83 ¹ / ₂ "	H = 34" – WATER LEVEL

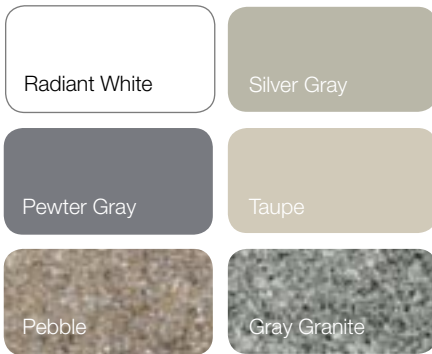


Key No.	Part No.	Description
1	E-CAT-1M-100A	E-CAT-100 Stand
1	E-CAT-1M-101A	E-CAT-101 Stand
2	25-105	Fulcrum Assembly
3	25-200	Handrail Bracket Kit
4	25-106A	Handrails

Flyte-Deck II Stand



Board + Stand Colors



Actual product colors may vary.

All installations must comply with all applicable local and national codes and installation must be completed in accordance with S.R.Smith installation instructions.

Pairs with:



Fibre-Dive Board

Or upgrade to:



Frontier III Board

The Flyte-Deck stand's sleek appearance and strong construction make it one of our best selling models.

- Made of durable, scratch resistant acrylic reinforced with fiberglass.
- 6', 8' or 10' lengths – find the right size for your diving pool!
- Available in a variety of colors to match your poolscape and backyard décor!
- Stainless steel hardware for added corrosion resistance.
- Board has a matching, non-slip sanded tread for maximum safety.

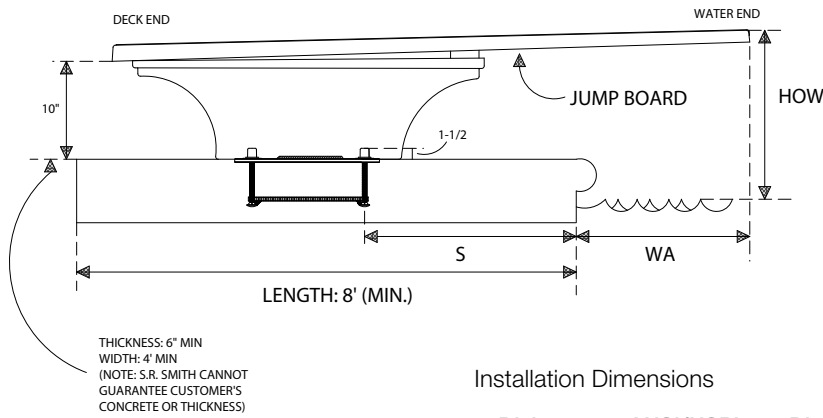
Flyte-Deck II Stand with Fibre-Dive Board

Model No.	Size	Color	Weight				
68-209-7362	6'	Radiant White	63 lbs.				
68-210-73610	6'	Taupe	63 lbs.				
68-210-73620	6'	Pewter Gray	63 lbs.				
68-210-73621	6'	Silver Gray	63 lbs.				
68-210-73623	6'	Pebble	63 lbs.				
68-210-73624	6'	Gray Granite	63 lbs.				
68-209-7382	8'	Radiant White	91 lbs.				
68-210-73810	8'	Taupe	91 lbs.				
68-210-73820	8'	Pewter Gray	91 lbs.				
68-210-73821	8'	Silver Gray	91 lbs.				
68-210-73823	8'	Pebble	91 lbs.				
68-210-73824	8'	Gray Granite	91 lbs.				
68-209-7402	10'	Radiant White	111 lbs.				
68-210-74020	10'	Pewter Gray	111 lbs.				
68-210-74021	10'	Silver Gray	111 lbs.				
				2 boxes Shipping	L	W	H
				36 lbs.	74"	20"	3"
				27 lbs.	37"	18"	12"
				2 boxes Shipping	L	W	H
				59 lbs.	98"	20"	3"
				32 lbs.	47"	19"	12"
				2 boxes Shipping	L	W	H
				75 lbs.	122"	20"	3"
				36 lbs.	57"	19"	12"

Board, tread + stand are matching in color

See pages 36 for diving board part numbers.

www.srsmith.com

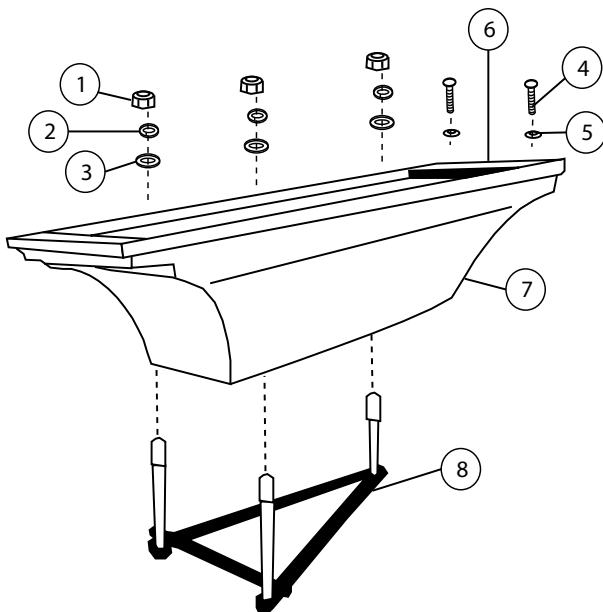


Installation Dimensions

Diving Board Size	ANSI/NSPI-5 Pool Type	Distance for setting front bolt of jig from water's edge (S)**	Minimum overhang plus or minus 3" (WA)*	Maximum height of board above water (HOW)
6'	I	27"	18"	20"
	II	27"	18"	20"
	III	21"	24"	26"
	IV	15"	30"	30"
	V	9"***	36"	40"
8'	II	41"	18"	20"
	III	35"	24"	26"
	IV	29"	30"	30"
	V	23"	36"	40"
10'	III	50"	24"	26"
	IV	44"	30"	30"
	V	38"	36"	40"

*S and WA dimension are valid only in conjunction with minimum depth at point A

**When coping is used do not set front bolts of jig closer than 3" from the back edge of the coping.



KEY NO.	PART NO.	DESCRIPTION	KIT A	KIT B
A	71-209-710-SS	Flyte-Deck Stand Bolt Kit*		
B	71-209-545	Flyte-Deck Fulcrum Kit		
1	05-14-116	1/2" Hex N ut	•	
2	05-14-115	1/2" Lock Washer	•	
3	05-14-133	1/2" x 2" Flat Washer	•	
4	05-31-115	#10 Philips Wood Screw		•
5	05-32-105	#12 Finishing Washer		•
6	08-507	15" Rubber Fulcrum		•
7	70-209-7362 70-209-7382	6' Flyte-Deck Stand, White, jig included 8' Flyte-Deck Stand, White, jig included		
8	71-209-700-SS 71-209-701-SS 71-209-705-SS 71-209-704-SS 71-209-706-SS 71-209-707-SS 71-209-703-SS	6' Jig 6' Jig w/ 9" bolts 6' Jig w/ 10" bolts 8' Jig 8' Jig w/ 9" bolts 8' Jig w/ 10" bolts 10' Jig		

*10' comes with 71-209-711-SS



FreeStyle



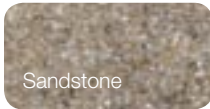
HipHop



Board + Stand Colors



Radiant White



Sandstone



Gray Granite

Actual product colors may vary.

All installations must comply with all applicable local and national codes and installation must be completed in accordance with S.R.Smith installation instructions.

Pairs with:



HipHop or FreeStyle

FreeStyle & HipHop

- Composite material diving board, increases board strength and lengthens product life
- Unique shape adds fun to your pool without detracting from your poolscape
- New D-Lux™ stand designed specifically for use with this board, easily installs on existing 6' Flyte-Deck jigs
- Can be installed Type I — Type V pools
- Twice the width of traditional diving boards at widest point
- Board has matching, SureFoot™ non-slip tread for maximum safety
- Stainless steel hardware for added corrosion resistance
- Can also be used with Cantilever, Supreme + Flyte-Deck II stands

FreeStyle Board on D-Lux Stand

Model No.	Color	Weight	2 boxes Shipping		
			L	W	H
68-209-422	Radiant White	91 lbs.	55 lbs.	82"	39"
68-209-4223	Sandstone	91 lbs.			
68-209-4224	Gray Granite	91 lbs.	36 lbs.	27.5"	47"

All Models listed above come with the D-Lux™ Stand.

HipHop Board on D-Lux Stand

Model No.	Color	Weight	2 boxes Shipping		
			L	W	H
68-209-412	Radiant White	91 lbs.	55 lbs.	87"	33"
68-209-4123	Sandstone	91 lbs.			
68-209-4124	Gray Granite	91 lbs.	36 lbs.	27.5"	47"

All Models listed above come with the D-Lux™ Stand.

D-Lux Stand

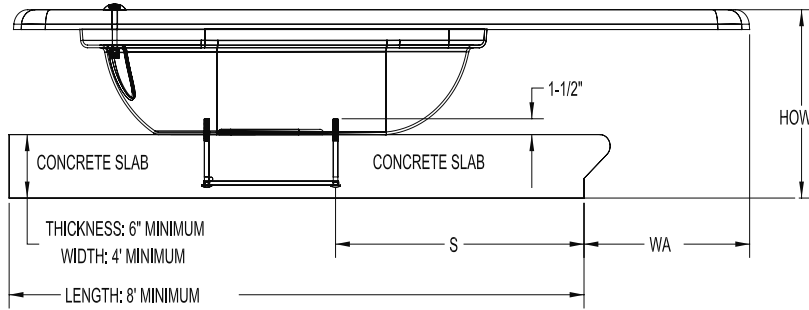
Model No.	Color	Weight	L	W	H
70-209-42	Radiant White	36 lbs.	27.5"	47"	12.5"
70-209-423	Sandstone	36 lbs.	27.5"	47"	12.5"
70-209-424	Gray Granite	36 lbs.	27.5"	47"	12.5"

All Models listed above come with the D-Lux™ Stand.

See pages 36 for diving board part numbers.

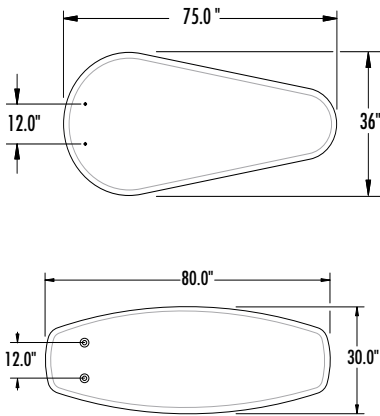
DECK END

WATER END



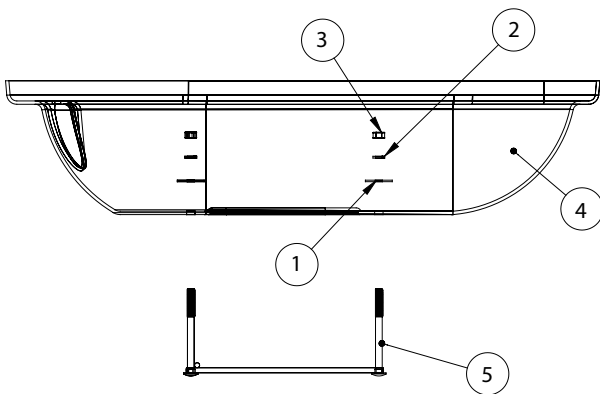
NOTICE:
S.R. SMITH CANNOT GAURANTEE
CUSTOMERS CONCRETE STRENGTH
OR THICKNESS

Installation Dimensions



Diving Board Size	ANSI/NSPI-5 Pool Type	Distance for setting front bolt of jig from water's edge (S)**	Minimum overhang plus or minus 3" (WA)*	Maximum height of board above water (HOW)
6'	I	27"	18"	20"
	II	27"	18"	20"
	III	21"	24"	26"
	IV	15"	30"	30"
	V	9"***	36"	40"

*S and WA dimension are valid only in conjunction with minimum depth at point A
**When coping is used do not set front bolts of jig closer than 3" from the back edge of the coping.



Key No.	Part No.	Description	Kit A
A	71-209-712-SS	D-Lux Stand Parts Kit	
1	05-14-133	1/2" x 2" Flat Washer	•
2	05-14-115	1/2" Lock Washer	•
3	05-14-116	1/2" Hex Nut	•
4	70-209-42 70-209-423 70-209-242	D-Lux Stand (Jig included), White D-Lux Stand (Jig included), Sandstone D-Lux Stand (Jig included), Gray Granite	•
5	71-209-700-SS 71-209-701-SS 71-209-705-SS	6' Flyte-Deck II Jig Jig w/ 9" bolts Jig w/ 10" bolts	•

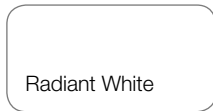
Frontier II Stand



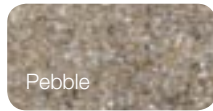
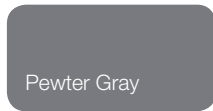
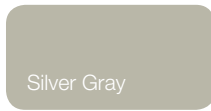
The Frontier II is a high-value stand and board ideal for price-sensitive customers.

- Made of strong steel and powder coated for increased corrosion resistance.
- 6' or 8' lengths – find the right size for your diving pool!
- Stand comes in white, with your choice of board color to match your pool slide and backyard décor.
- Stainless steel hardware for added corrosion resistance.
- Board has a matching non-slip sanded tread for maximum safety.

Stand Color



Board Colors



Actual product colors may vary.

All installations must comply with all applicable local and national codes and installation must be completed in accordance with S.R.Smith installation instructions.

Frontier II Jump Stand with Frontier II Board*

Model No.	Size	Color	Weight			
68-209-586610T	6'	Taupe	79 lbs.	2 boxes Shipping L W H 52 lbs. 74" 20" 3" 27 lbs. 34" 8" 8"		
68-209-58662	6'	Radiant White	79 lbs.			
68-209-586620T	6'	Pewter Gray	79 lbs.			
68-209-586621T	6'	Silver Gray	79 lbs.			
68-209-58663T	6'	Marine Blue	79 lbs.	2 boxes Shipping L W H 70 lbs. 98" 20" 3" 34 lbs. 41" 9" 7"		
68-209-586623	6'	Pebble	79 lbs.			
68-209-586624	6'	Gray Granite	79 lbs.			
68-209-586810T	8'	Taupe	104 lbs.			
68-209-58682	8'	Radiant White	104 lbs.			
68-209-586820T	8'	Pewter Gray	104 lbs.			
68-209-586821T	8'	Silver Gray	104 lbs.			
68-209-58683T	8'	Marine Blue	104 lbs.			
68-209-586823	8'	Pebble	104 lbs.			
68-209-586824	8'	Gray Granite	104 lbs.			

Board + tread are matching in color
 *Not recommended for salt chlorine pools

Pairs with:



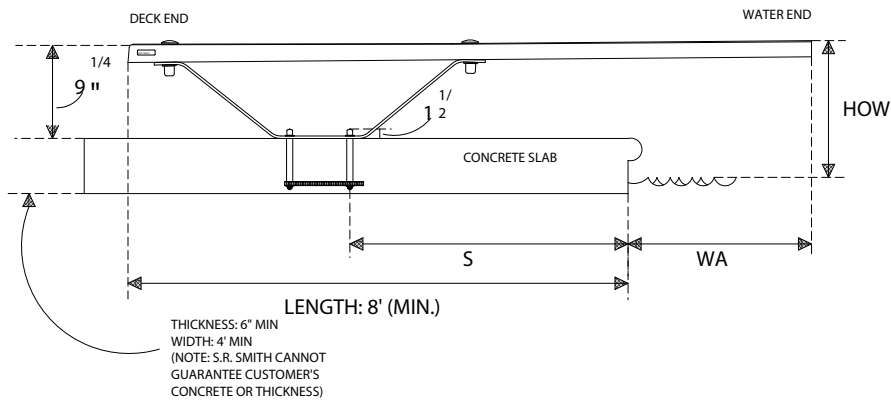
Frontier II Board

Frontier II Bases & Jig

Model No.	Size	Color	Weight			
69-209-5866	6'	Spring Base only	26.5 lbs.	34"	8"	8"
69-209-5888	8'	Spring Base only	34 lbs.	41"	9"	7"
69-209-227-SS	Jig only (included with base)		3 lbs.	7"	7"	7"

See pages 36 for diving board part numbers.

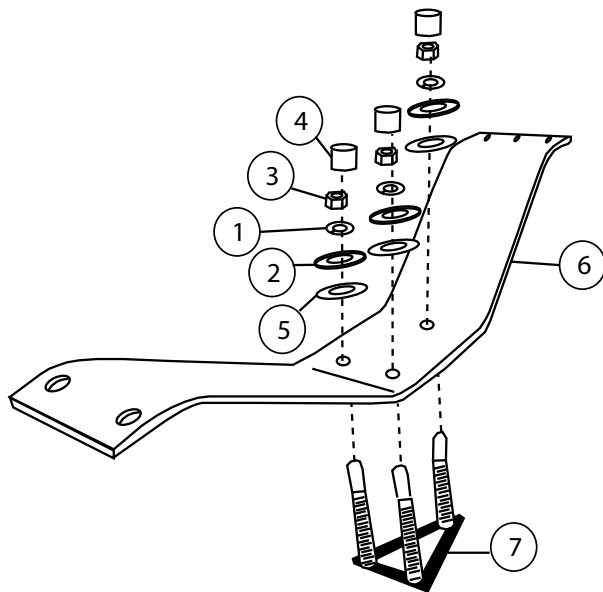
www.srsmith.com



Installation Dimensions

Diving Board Size	ANSI/NSPI-5 Pool Type	Distance for setting front bolt of jig from water's edge (S)**	Minimum overhang plus or minus 3" (WA)*	Maximum height of board above water (HOW)
6'	I	26"	18"	20"
	II	26"	18"	20"
	III	20"	24"	26"
	IV	14"	30"	30"
8'	III	34"	24"	26"
	IV	28"	30"	30"
	V	22"	36"	40"

*S and WA dimension are valid only in conjunction with minimum depth at point A
 **When coping is used do not set front bolts of jig closer than 3" from the back edge of the coping.



Key No.	Part No.	Description	Kit A
A	69-209-033-SS	Frontier II Stand Bolt Kit	
1	05-31-157	5/8" Lock Washer	•
2	05-31-158	5/8" Flat Washer	•
3	05-31-159	5/8" Hex Nut	•
4	05-600	5/8" White Plastic Nut Cap	•
5	05-631	5/8" x 1 3/4" Nylon Washer	•
6	69-209-5866	6' Frontier II Spring Stand (jig included)	
	69-209-5888	8' Frontier II Spring Stand (jig included)	
7	69-209-227-SS	Jig	

New! Fusion



Platform Mode



Diving Mode

This new board can serve as a diving board, or a jump platform / poolside bench — you decide. A locking swivel mechanism allows pool owners to turn the board 90° and lock into a traditional diving board position or into a jump platform / poolside bench position.

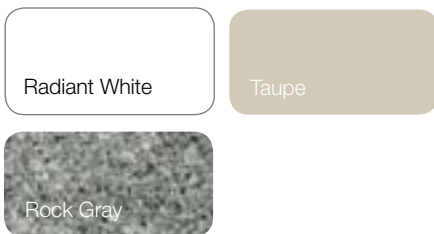
- Composite material diving board looks great, increases board strength and lengthens product life
- Diving board is twice the width of traditional diving boards at widest point — more bench space
- Board has a matching, SureFoot non-slip tread for maximum safety
- Stainless steel hardware for added corrosion resistance
- Bronze swivel mechanism locks for maximum safety
- Approved for use on Type I or greater pools

Fusion Board & Stand Combinations

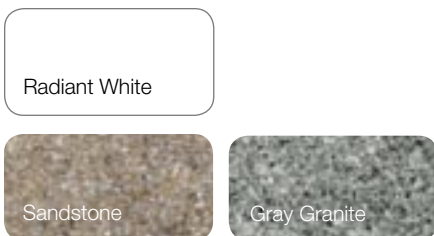
Model No.	Color	Shipping Wt.	3 boxes Shipping			
			L	W	H	
68-210-1302	White	151 lbs.	55 lbs.	87"	33"	3.5"
68-210-13023	Sandstone*	151 lbs.	36 lbs.	15"	15"	4"
68-210-13024	Gray Granite	151 lbs.	60 lbs.	22"	16"	12"

*Sandstone board comes with a taupe stand

Stand Colors



Board Colors

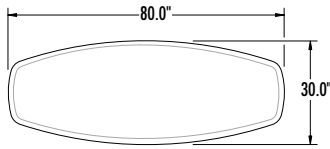


Actual product colors may vary.

All installations must comply with all applicable local and national codes and installation must be completed in accordance with S.R.Smith installation instructions.

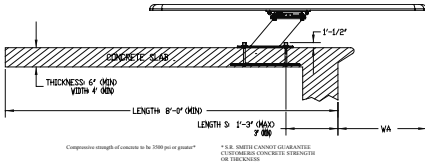
See pages 36 for diving board part numbers.

www.srsmith.com

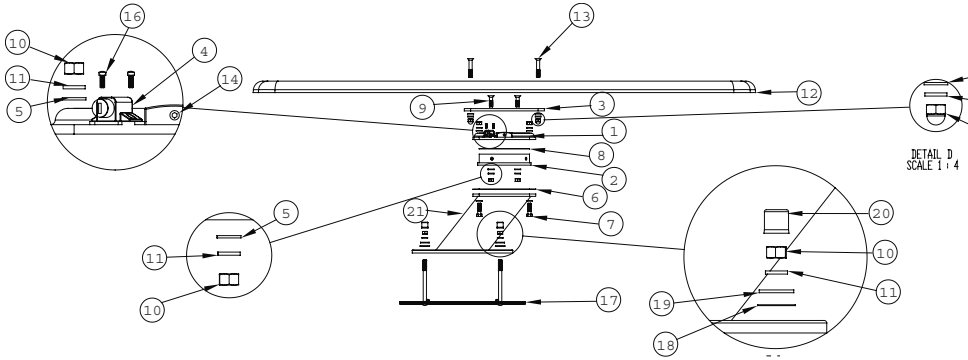


Installation Dimensions

Diving Board Size	ANSI/NSPI-5 Pool Type	Distance for setting front bolt of jig from water's edge (S)**	Minimum overhang plus or minus 3" (WA)*	Maximum height of board above water (HOW)
6'	I	15"	18"	20"
6'	II	15"	18"	20"



*S and WA dimension are valid only in conjunction with minimum depth at point A
 **When coping is used do not set front bolts of jig closer than 3" from the back edge of the coping.



Key Number	Part Number	Description
1	60601F	Finished Swivel Bronze Cast Base
2	60602F	Finished Swivel Bronze Cast Inside Cylinder
3	60559	Fusion Mounting Plate
4	60605	Swivel Lock Mechanism, Brass
5	2308100	1/2" Flatwasher
6	60603	Delrin 1/16" x 10' x 10' Swivel
7	5-169	1/2" x 1 3/4" Hex Head Bolt
8	60604	Delrin 1/16" x 8" Diameter Circle Swivel
9	5-139-2	1/2-13 x 1-3/4" Flat Socket
10	05-14-116	1/2" Hex Nut
11	05-14-115	1/2" Lock Washer
12	66-209-622 66-209-623 66-209-624	Fusion Board, White Fusion Board, Sandstone Fusion Board, Gray Granite
13	5-139-3	1/2-13 x 3" Flat Socket
14	5-139-4	3/8"-16 x 3/4" Brass Cup Point Set Screw
15	5-139-6	1/2"-13 Acorn Nut
16	5-139-5	#8/32 1/2" Brass Fillister Slot M/C Screw
17	69-209-006-SS	606/608 Jig (only)
18	05-616	1/2" x 1-1/2" Round Nylon Washer
19	05-14-132	1/2" x 1-3/8" Flat Washer
20	05-618	1/2" White Plastic Nut Cap
21	60611-12 60611-10 60611-20	Fusion Stand, Radiant White Fusion Stand, Taupe Fusion Stand, Rock Gray

New! Salt Pool Jump System

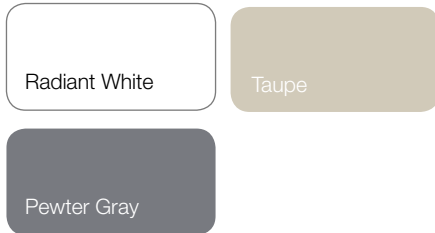


Resist corrosion with this new low-profile fiberglass-backed stand and composite spring assembly.

- 6' or 8' lengths – find the right size for your diving pool!
- Available in three designer colors to match your backyard décor!
- Stainless steel hardware for added corrosion resistance
- Compatible with Frontier III, and Glas-Hide diving boards
- Can be retrofit onto existing Cantilever jigs



Stand & Spring Colors



Actual product colors may vary.

All installations must comply with all applicable local and national codes and installation must be completed in accordance with S.R.Smith installation instructions.

Pairs with:



Frontier III Board



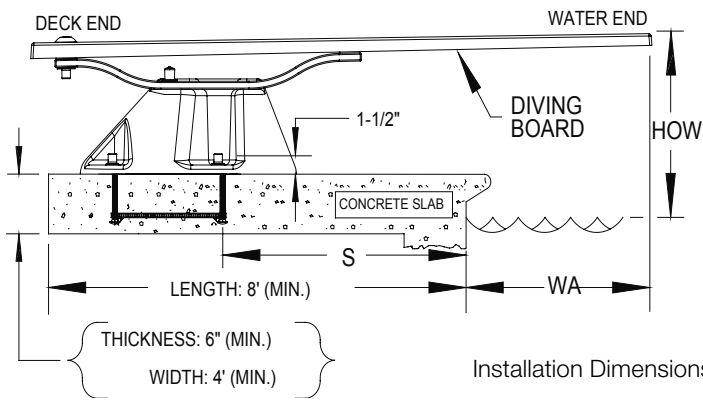
Glas-Hide Board

Model No.	Description	Color	Weight	L	W	H
69-209-62	Salt Friendly Base	White	27 lbs.	25"	20"	11"
69-209-610	Salt Friendly Base	Taupe	27 lbs.	25"	20"	11"
69-209-620	Salt Friendly Base	Pewter Gray	27 lbs.	25"	20"	11"
69-209-662	6' Salt Spring Assembly	White	10 lbs.	40"	5"	3"
69-209-6610	6' Salt Spring Assembly	Taupe	10 lbs.	40"	5"	3"
69-209-6620	6' Salt Spring Assembly	Pewter Gray	10 lbs.	40"	5"	3"
69-209-682	8' Salt Spring Assembly	White	14 lbs.	48"	5"	3"
69-209-6810	8' Salt Spring Assembly	Taupe	14 lbs.	48"	5"	3"
69-209-6820	8' Salt Spring Assembly	Pewter Gray	14 lbs.	48"	5"	3"

Salt Pool Jump System springs and bases are compatible only with each other and can not be interchanged with other S.R.Smith springs and bases.

See pages 36 for diving board part numbers.

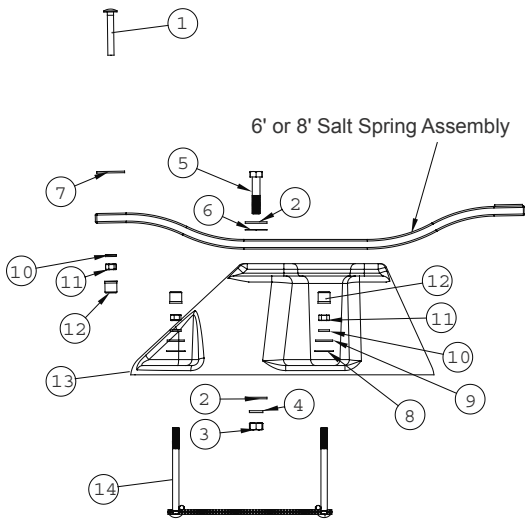
www.srsmith.com



Installation Dimensions

Diving Board Size	ANSI/NSPI-5 Pool Type	Distance for setting front bolt of jig from water's edge (S)**	Minimum overhang plus or minus 3" (WA)*	Maximum height of board above water (HOW)
6'	I	32"	18"	20"
	II	32"	18"	20"
	III	26"	24"	26"
	IV	20"	30"	30"
	V	14"	36"	40"
8'	III	45"	24"	26"
	IV	39"	30"	30"
	V	33"	36"	40"

*S and WA dimension are valid only in conjunction with minimum depth at point A
 **When coping is used do not set front bolts of jig closer than 3" from the back edge of the coping.



Item No.	Part No.	Description	Kit A	Kit B
A	69-209-125	Salt Pool Spring Bolt Kit		
B	69-209-126	Salt Pool Stand Hardware Kit (add -TP or -PG for colors)		
1	05-31-171	1/2" x 3-1/2" Carriage Bolt	•	
2	05-631	5/8" x 1-3/4" Flat Washer	•	
3	05-31-159	5/8" Hex Nut	•	
4	05-31-157	5/8" Lock Washer	•	
5	05-31-155	5/8" x 3" Hex Head Bolt	•	
6	05-31-158	5/8" x 1-3/4" Nylon Protective Washer	•	
7	S-556	2-1/4" Square Rubber Spring Pad	•	
8	05-616	1/2" x 1-1/2" Round Nylon Washer		•
9	05-14-132	1/2" x 1-3/8" Flat Washer		•
10	05-14-115	1/2" Lock Washer		•
11	05-14-116	1/2" Hex Nut		•
12	05-618	1/2" Plastic Nut Cap		•
13	69-209-62 69-209-610 69-209-620	Salt Pool Jump Stand, White Salt Pool Jump Stand, Taupe Salt Pool Jump Stand, Pewter Gray		
14	69-209-006-SS 69-209-010-SS 69-209-011-SS	Jig Jig w/ 9" bolts Jig w/ 10" bolts		

Steel Meter Stand



Stand Color

Radiant White

Actual product colors may vary.

All installations must comply with all applicable local and national codes and installation must be completed in accordance with S.R.Smith installation instructions.

Pairs with:



Frontier III Board (8' and 10' only)

Or upgrade to:



Frontier III Commercial



Swim Club



Olympian

Steel Meter stands are ideal for users that want the best stand money can buy.

- Made of strong steel, powder coated for increased corrosion resistance.
- 8', 10' or 12' lengths – find the right size for your diving pool!
- Stand comes in white, with your choice of board color.
- Stainless steel hardware for added corrosion resistance.
- Board has a matching, non-slip sanded tread for maximum safety.
- Stand comes in 1/2, 3/4, or 1 meter heights.*

* 1 M heights require handrails – order separately

Steel Meter Stands*

Model No.	Board Size	Stand	Shipping Wt.	L	W	H
70-209-501	8'	1/2 Meter Stand	118 lbs.	45"	17"	14"
70-209-502	10'	1/2 Meter Stand	137 lbs.	55"	17"	14"
70-209-510	10'	3/4 Meter Stand	173 lbs.	57"	22"	12"
70-209-512	12'	3/4 Meter Stand	197 lbs.	67"	22"	12"
70-209-520	10'	1 Meter Stand	203 lbs.	57"	31"	17"
70-209-522	12'	1 Meter Stand	225 lbs.	67"	31"	17"

*Not recommended for salt chlorine pools

Handrails

Model No.	Description	Shipping Wt.	L	W	H
71-209-550	Handrail for 8' Board	44 lbs.	64"	36"	6"
71-209-551	Handrail for 10' Board	46 lbs.	36"	78"	6"
71-209-552	Handrail for 12' Board	48 lbs.	36"	88"	6"

Installation Dimensions

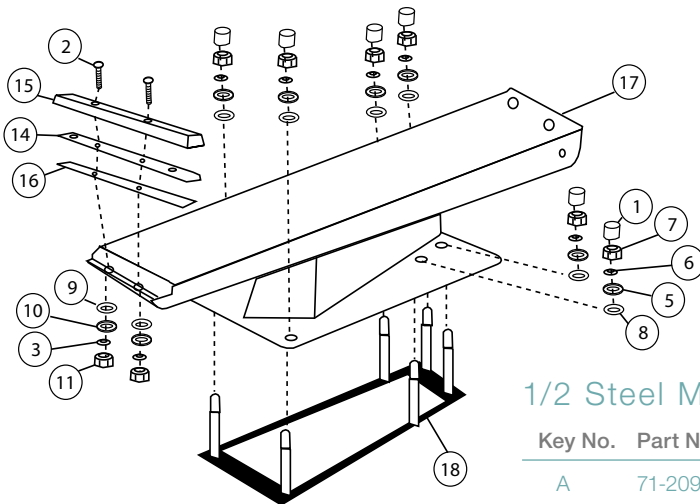
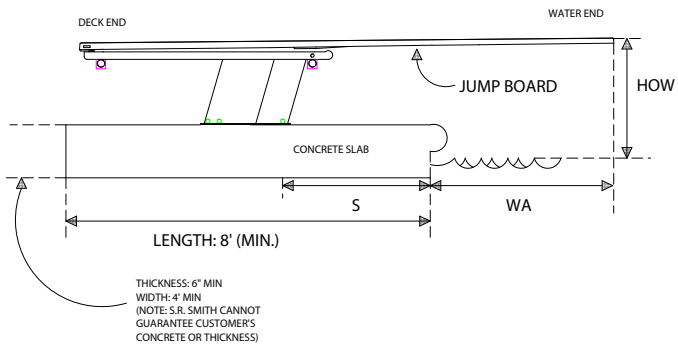
Stand	Diving Board Size	ANSI/NSPI-5 Pool Type of jig from water's edge (S)**	Distance for setting front bolt	Minimum overhang +/- 3" (WA)* (HOW)	Maximum height of board above water
1/2 Meter	8'	II	39"	18"	20"
		III	33"	24"	26"
		IV	27"	30"	30"
		V	21"	36"	40"
		III	45"	24"	26"
10'		IV	39"	30"	30"
		V	33"	36"	40"
		IV	46"	30"	30"
3/4 Meter	10'	V	40"	36"	40"
		V	51"	36"	40"
1 Meter	10'	V	43"	36"	40"
		V	57"	36"	40"

*S and WA dimension are valid only in conjunction with minimum depth at point A

**When coping is used do not set front bolts of jig closer than 3" from the back edge of the coping.

See pages 36 for diving board part numbers.

www.srsmith.com



Frontier IV Board

The special Steel Meter Stand designed specifically for our Frontier IV board is a great alternative to consider for pools with heavy diving traffic and more athletic pool users.

Steel Meter with Frontier IV board – 68-209-2582

- The Frontier IV board comes in an 8' length
- Mounting bolts are on 11" centers
- Frontier IV comes in white, with a matching non-slip sanded tread for maximum safety
- 400 lb. weight limit
- Shipping Weight: 201 lbs.

	Wt.	L	W	H
2 boxes:	83 lbs.	98	20	3
	118 lbs.	45	17	14

1/2 Steel Meter Stand Bolt Kit (71-209-542-SS)

Key No.	Part No.	Description	Kit A	Kit B	Kit C
A	71-209-542-SS	1/2 Meter Stand Bolt Kit			
B	71-209-543-SS	3/4 & 1 Meter Stand Bolt Kit			
C	71-209-544	Fulcrum Kit			
1	05-618	1/2" Plastic Nut Cap	•	•	
2	05-32-130	3/8" x 2" Step Bolt	•	•	
3	5-151	3/8" Lock Washer	•	•	
4	05-31-171	1/2" x 3 1/2" Carriage Bolt	•		
5	05-14-132	1/2" x 1 3/8" Flat Washer	•	•	
6	05-14-115	1/2" Lock Washer	•	•	
7	05-14-116	1/2" Hex Nut	•	•	
8	05-616	1/2" x 1 1/2" Round Nylon Washer	•	•	
9	05-32-111	3/8" Nylon Protective Washer	•	•	
10	5-145	3/8" Flat Washer	•	•	
11	5-139	3/8" Hex Nut	•	•	
12	04-608	1" Spacer, Schedule 40 Pipe		•	
13	08-505	15" Rubber Pad		•	
14	04-646	18" Meter Fulcrum Plate			•
15	08-503	18" Meter Fulcrum Pad			•
16	08-506	20" Rubber Mounting Pad			•
17		1/2 Meter Steel Stand			
18	71-209-541-SS Jig 71-209-539-SS Jig w/ 9" bolts 71-209-540-SS Jig w/ 10" bolts				

Supreme Stand



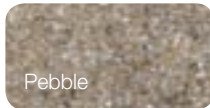
The Supreme stand is a high-end stand and board that offers users Supreme diving fun!

- Made of durable, scratch resistant acrylic reinforced with fiberglass.
- 6', or 8' lengths – find the right size for your diving pool!
- Available in a variety of colors – match your pool slide and backyard décor!
- Stainless steel hardware for added corrosion resistance.
- Board has a matching, non-slip sanded tread for maximum safety.

Board + Stand Color



Radiant White



Pebble



Gray Granite

Actual product colors may vary.

All installations must comply with all applicable local and national codes and installation must be completed in accordance with S.R.Smith installation instructions.

Pairs with:



Frontier III Board



Glas-Hide Board

Supreme Jump Stand with Frontier III Board*

Model No.	Size	Color	Shipping Wt.	3 boxes	L	W	H
68-209-6162	6'	Radiant White	94 lbs.	52 lbs.	74"	20"	3"
68-209-61623	6'	Pebble**	94 lbs.	22 lbs.	18"	18"	10"
68-209-61624	6'	Gray Granite**	94 lbs.	20 lbs.	33"	18"	4"
68-209-6182	8'	Radiant White	125 lbs.	70 lbs.	98"	20"	3"
68-209-61823	8'	Pebble**	125 lbs.	22 lbs.	18"	18"	10"
68-209-61824	8'	Gray Granite**	125 lbs.	33 lbs.	41"	18"	4"

* Not recommended for salt chlorine pools

** Pebble kits come with Taupe springs. Gray Granite kits come with Pewter Gray springs.

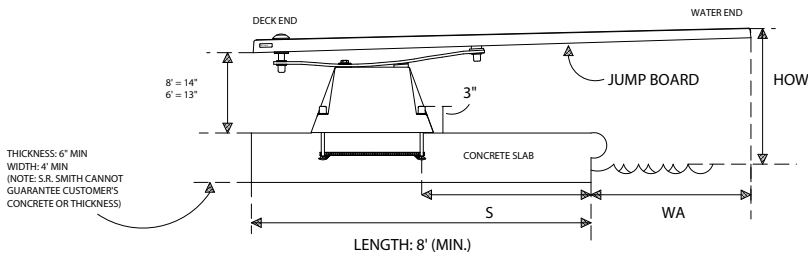
Supreme Jump Stand with Glas-Hide Board*

Model No.	Size	Color	Shipping Wt.	3 boxes	L	W	H
68-209-2362	6'	Radiant White	99 lbs."	57 lbs.	74"	20"	3"
				22 lbs.	18"	18"	10"
				20 lbs.	33"	18"	4"
68-209-2382	8'	Radiant White	130 lbs.	75 lbs.	98"	20"	3"
				22 lbs.	18"	18"	10"
				33 lbs.	41"	18"	4"

*Not recommended for salt chlorine pools

See pages 36 for diving board part numbers.

www.srsmith.com

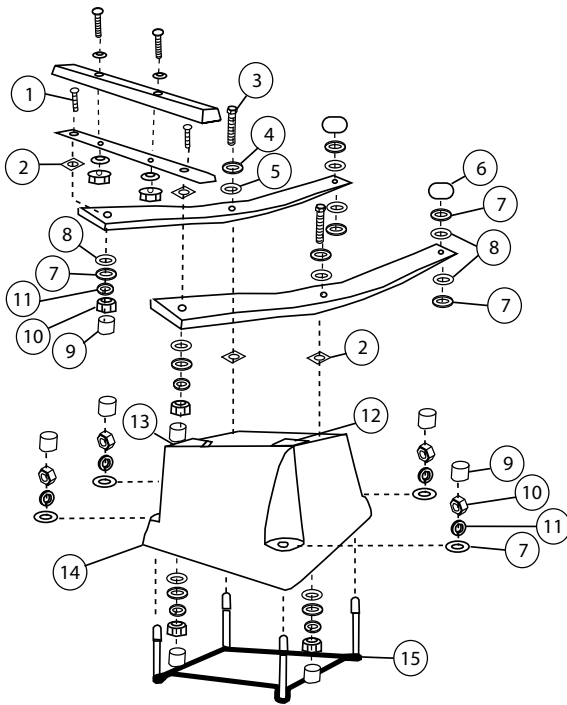


Installation Dimensions

Diving Board Size	ANSI/NSPI-5 Pool Type	Distance for setting front bolt of jig from water's edge (S)**	Minimum overhang plus or minus 3" (WA)*	Maximum height of board above water (HOW)
6'	I	28-3/4"	18"	20"
	II	28-3/4"	18"	20"
	III	22-3/4"	24"	26"
	IV	16-3/4"	30"	30"
	V	10-3/4"	36"	40"
8'	III	42-1/2"	24"	26"
	IV	36-1/2"	30"	30"
	V	30-1/2"	36"	40"

*S and WA dimension are valid only in conjunction with minimum depth at point A

**When coping is used do not set front bolts of jig closer than 3" from the back edge of the coping.



Key No.	Part No.	Description	Kit A	Kit B	Kit C
A	69-209-017-SS	Supreme Stand Bolt Kit			
B	69-209-020-SS	Fulcrum Kit			
C	69-209-019-SS	606/608 Spring Bolt Kit			
1	05-31-170	1/2" x 1 1/2" Carriage Bolt			•
2	05-630	5/8" x 2" Square Nylon Washer	•	•	
3	05-31-155	5/8" x 3" Hex Head Bolt	•		
4	05-32-118	5/8" x 1 3/4" Flat Washer			•
5	05-631	5/8" x 1 3/4" Nylon Protective Washer	•		
6	04-608	1" Spacer, Schedule 40 Pipe		•	
7	05-14-132	1/2" x 1 3/8" Flat Washer	•	•	•
8	05-616	1/2" x 1 1/2" Round Nylon Washer	•	•	
9	05-618	1/2" White Plastic Nut Cap	•	•	•
10	05-14-116	1/2" Hex Nut	•	•	•
11	05-14-115	1/2" Lock Washer	•	•	•
12	05-620L	Plastic Tab (Left)		•	
13	05-620R	Plastic Tab (Right)		•	
14	69-209-008 69-209-008-SNST 69-209-008-GG	Supreme Stand, White (jig included) Supreme Stand, Sandstone Supreme Stand, Gray Granite			
15	69-209-007-SS 69-209-007-SS-9 69-209-007-SS-10	Jig Jig with 9" bolts Jig with 10" bolts			
	69-209-026	606 Spring			
	69-209-028	608 Spring			

U-Frame Stand



Stand Color

Polished Steel

Actual product colors may vary.

All installations must comply with all applicable local and national codes and installation must be completed in accordance with S.R.Smith installation instructions.

Pairs with:



Fibre-Dive Board

Or upgrade to:



Frontier III Board



Frontier IV Board*



The Economical Alternative

The U-Frame stand is a great entry-level stand ideal for price-sensitive users.

- Made of 1.90" OD, .049" or .065" wall, 304 stainless steel tubing, and includes a fulcrum cover
- Choose from a variety of board colors to match your pool slide and backyard décor.
- Board has a non-slip sanded tread for maximum safety.
- Pair with 6', 8', 10' or 12' boards – find the right size for your diving pool!

Model No.	Description	Board Size	Shipping Wt.	L	W	H
UF-12-100	12" U-Frame (.049)	6' or 8'	14 lbs.	33"	25"	2"
UF-18-101	18" U-Frame (.049)	6' or 8'	16 lbs.	33"	25"	2"
UF-18-102	18" U-Frame (.065)	6' or 8'	18 lbs.	34"	31"	2"
UF-24-103	24" U-Frame (.049)	10' or 12'	16 lbs.	34"	31"	2"
UF-24-102	24" U-Frame (.065)	10' or 12'	19 lbs.	34"	31"	2"

*Not recommended for salt chlorine pools

U-Frames with 8' Frontier IV Board*

The special Steel Meter Stand designed specifically for our Frontier IV board is a great alternative to consider for pools with heavy diving traffic and more athletic pool users.

- The Frontier IV board comes in an 8' length
- Mounting bolts are on 11" centers
- Frontier IV comes in white, with a matching non-slip sanded tread for maximum safety
- 400 lb. weight limit

Model No.	Description	Board Size	Shipping Wt.	L	W	H
UF-15-200	U-Frame only	8'	21 lbs.	33"	25"	2"
68-209-1582	U-Frame w/board	8'	201 lbs. (2 boxes)	98" 45"	20" 17"	3" 14"

The Frontier IV board has 11" bolt centers and requires these SPECIAL U-Frames that will only work with this board. Weight limit 400lbs.

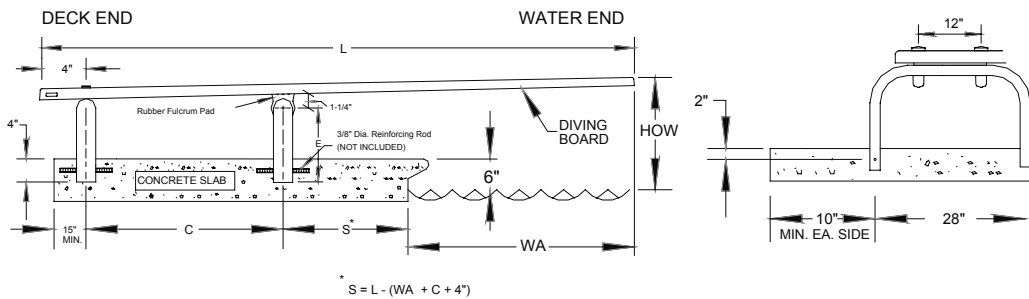
U-Frame Fulcrum Cover

- Heavy-duty rubber
- 20" long
- Accommodates 1.90" OD tubing

Part No.	Description	Shipping Wt.	L	W	H
FC-100A	1 fulcrum cover	2.5 lbs.	20"	2"	2"

See pages 36 for diving board part numbers.

www.srsmith.com



$$S = L - (WA + C + 4")$$

S.R. SMITH CANNOT GUARANTEE CUSTOMER'S CONCRETE OR THICKNESS
RECOMMENDED Compressive strength of concrete is 3500 psi or greater.

SLAB THICKNESS = 6" (MIN.)
WIDTH = 4" (MIN.)

Installation Dimensions

Residential Pools

Pool Type	Diving Board	Fulcrum Setting (C)	Actual Length (L)*	Max. board over water (HOW)	Minimum Overhang +/- 3" (WA)	Recommended U-Frame
I	6'	30" +/- 3"	70-1/2"	20"	18"	UF-12-100 or UF-18-101 or UF-18-102
II	8'	40" +/- 4"	94-1/2"	20"	18"	
III	10'	52" +/- 5"	118-1/2"	26"	24"	UF-24-102 or UF-24-103
IV	10'	52" +/- 5"	118-1/2"	30"	30"	
V	12'	62" +/- 6"	142-1/2"	40"	36"	

*Add 1-1/2" to L dimension for Aluminum Diving Boards

Commercial Pools

Pool Type	Diving Board Length	Fulcrum Setting (C)	Actual Length (L)*	Max. board height over water (HOW)	Minimum Overhang "L1" +/- 3"
VI	10'	52" +/- 5"	118-1/2"	26" (2/3 Meter)	30"
VII	12'	62" +/- 6"	142-1/2"	30" (3/4 Meter)	36"
VIII	16'	86" +/- 6"	190-1/2"	1 Meter	48"
IX	16'	86" +/- 6"	190-1/2"	3 Meter	72"

*L1 DIMENSION IS VALID ONLY IN CONJUNCTION WITH MIN. DEPTH (D1) AT POINT A FOR POOL TYPE. (SEE ANSI/NSPI-1 2003 Figure 1 and Table 2)

COMPLY WITH LOCAL GOVERNMENT REGULATIONS FOR PUBLIC SWIMMING POOLS IF THEY EXCEED THE ANSI/NSPI-1 STANDARD.

*Add 1-1/2" to L dimension for Aluminum Diving Boards



Frontier IV Board

The Frontier IV board is the perfect diving board for pools with heavy diving traffic and very athletic pool users.

- Available in 8' length only
- Mounting bolts are on 11" centers
- Comes in white, with a matching non-slip sanded tread for maximum safety
- Can be paired with either special U-Frames or Steel Meter Stands designed specifically for use with the Frontier IV board
- Accommodates divers up to 400 lbs.

Board Color



Actual product colors may vary.

All installations must comply with all applicable local and national codes and installation must be completed in accordance with S.R.Smith installation instructions.

Model No.	Description	Shipping Wt.
66-209-4082	8' Frontier IV board	83 lbs.
66-209-7082	8' Commercial Frontier IV board	83 lbs.
68-209-2582	Steel Meter (1/2M) with Frontier IV board	201 lbs.
68-209-1582	U-Frames with Frontier IV Board	104 lbs.

All part numbers shown are for a diving board with a white tread.

To order a diving board with a matching tread, add a "T" at the end of the part number.



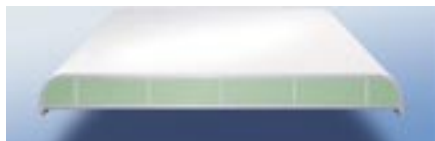
Eureka Boards

Part Number	Board Size	Color	Weight	Length	Width	Height
66-209-2442-1	14'	Radiant White	205.00	170	20	3
66-209-2443-1	14'	Marine Blue	205.00	170	20	3
66-209-2462-1	16'	Radiant White	235.00	194	20	3
66-209-2463-1	16'	Marine Blue	235.00	194	20	3



Fibre-Dive Boards

Part Number	Board Size	Color	Weight	Length	Width	Height
66-209-266S2-1	6'	Radiant White	36.00	74	20	3
66-209-266S3-1	6'	Marine Blue	36.00	74	20	3
66-209-266S10	6'	Taupe	36.00	74	20	3
66-209-266S20	6'	Pewter Gray	36.00	74	20	3
66-209-266S21	6'	Silver Gray	36.00	74	20	3
66-209-266S23	6'	Pebble w/clear tread	36.00	74	20	3
66-209-266S24	6'	Gray Granite w/clear tread	36.00	74	20	3
66-209-268S2-1	8'	Radiant White	58.50	98	20	3
66-209-268S3-1	8'	Marine Blue	58.50	98	20	3
66-209-268S10	8'	Taupe	58.50	98	20	3
66-209-268S20	8'	Pewter Gray	58.50	98	20	3
66-209-268S21	8'	Silver Gray	58.50	98	20	3
66-209-268S23	8'	Pebble w/ clear tread	58.50	98	20	3
66-209-268S24	8'	Gray Granite w/clear tread	58.50	98	20	3
66-209-270S2-1	10'	Radiant White	75.00	122	20	3
66-209-270S3-1	10'	Marine Blue	75.00	122	20	3
66-209-270S10	10'	Taupe	75.00	122	20	3
66-209-270S20	10'	Pewter Gray	75.00	122	20	3
66-209-270S21	10'	Silver Gray	75.00	122	20	3



FreeStyle Boards

Part Number	Color	Weight	Length	Width	Height
66-209-422	Radiant White	55.00	82	39	3.5
66-209-4223	Sandstone	55.00	82	39	3.5
66-209-4224	Gray Granite	55.00	82	39	3.5

Compatible w/ 6' Flyte Deck, 606 Cantilever & 656 Supreme ONLY



Frontier II Boards

Part Number	Board Size	Color	Weight	Length	Width	Height
66-209-586S2	6'	Radiant White	52.00	74	20	3
66-209-586S3	6'	Marine Blue	52.00	74	20	3
66-209-586S10	6'	Taupe	52.00	74	20	3
66-209-586S20	6'	Pewter Gray	52.00	74	20	3
66-209-586S21	6'	Silver Gray	52.00	74	20	3
66-209-586S23	6'	Pebble w/clear tread	52.00	74	20	3
66-209-586S24	6'	Gray Granite w/clear tread	52.00	74	20	3
66-209-588S2	8'	Radiant White	70.00	98	20	3
66-209-588S3	8'	Marine Blue	70.00	98	20	3
66-209-588S10	8'	Taupe	70.00	98	20	3
66-209-588S20	8'	Pewter Gray	70.00	98	20	3
66-209-588S21	8'	Silver Gray	70.00	98	20	3
66-209-588S23	8'	Pebble w/clear tread	70.00	98	20	3
66-209-588S24	8'	Gray Granite w/clear tread	70.00	98	20	3



Frontier III Boards

Part Number	Board Size	Color	Weight	Length	Width	Height
66-209-596S2	6'	Radiant White	52.00	74	20	3
66-209-596S3	6'	Marine Blue	52.00	74	20	3
66-209-596S10	6'	Taupe	52.00	74	20	3
66-209-596S20	6'	Pewter Gray	52.00	74	20	3
66-209-596S21	6'	Silver Gray	52.00	74	20	3
66-209-596S23	6'	Pebble w/clear tread	52.00	74	20	3
66-209-596S24	6'	Gray Granite w/clear tread	52.00	74	20	3
66-209-598S2	8'	Radiant White	70.00	98	20	3
66-209-598S3	8'	Marine Blue	70.00	98	20	3
66-209-598S10	8'	Taupe	70.00	98	20	3
66-209-598S20	8'	Pewter Gray	70.00	98	20	3
66-209-598S2	8'	Silver Gray	70.00	98	20	3
66-209-598S23	8'	Pebble w/clear tread	70.00	98	20	3
66-209-598S24	8'	Gray Granite w/clear tread	70.00	98	20	3
66-209-600S2	10'	Radiant White	85.00	122	20	3
66-209-600S3	10'	Marine Blue	85.00	122	20	3
66-209-600S10	10'	Taupe	85.00	122	20	3
66-209-600S20	10'	Pewter Gray	85.00	122	20	3
66-209-600S21	10'	Silver Gray	85.00	122	20	3

All part numbers shown are for a diving board with a white tread.
To order a diving board with a matching tread, add a "T" at the end of the part number.



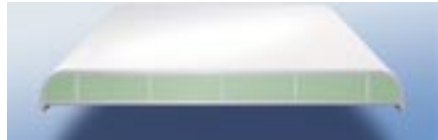
Frontier III Commercial Boards

Part Number	Board Size	Color	Weight	Length	Width	Height
66-209-610S2	10'	Radiant White	88.00	122	20	3
66-209-610S3	10'	Marine Blue	88.00	122	20	3
66-209-610S20	10'	Pewter Gray	88.00	122	20	3
66-209-610S21	10'	Silver Gray	88.00	122	20	3
66-209-6122	12'	Radiant White	110.00	146	20	3
66-209-6123	12'	Marine Blue	110.00	146	20	3
66-209-6142	14'	Radiant White	190.00	170	20	3
66-209-6143	14'	Marine Blue	190.00	170	20	3
66-209-6162	16'	Radiant White	230.00	194	20	3
66-209-6163	16'	Marine Blue	230.00	194	20	3



Frontier IV Boards

Part Number	Board Size	Color	Weight	Length	Width	Height
66-209-7082	8' Commercial	Radiant White	83.00	98	20	3
66-209-4082	8' Residential	Radiant White	83.00	98	20	3



Fusion Boards

Part Number	Color	Weight	Length	Width	Height
66-209-622	Radiant White	55.00	87	33	3.5
66-209-623	Sandstone	55.00	87	33	3.5
66-209-624	Gray Granite	55.00	87	33	3.5

Compatible w/Fusion stand and swivel ONLY



Glas-Hide Boards

Part Number	Board Size	Color	Weight	Length	Width	Height
66-209-206S2-1	6'	Radiant White	57.00	74	20	3
66-209-206S3-1	6'	Marine Blue	57.00	74	20	3
66-209-208S2-1	8'	Radiant White	75.00	98	20	3
66-209-208S3-1	8'	Marine Blue	75.00	98	20	3
66-209-210S2-1	10'	Radiant White	95.00	122	20	3
66-209-210S3-1	10'	Marine Blue	95.00	122	20	3



HipHop Boards

Part Number	Color	Weight	Length	Width	Height
66-209-412	Radiant White	55.00	87	33	3.5
66-209-4123	Sandstone	55.00	87	33	3.5
66-209-4124	Gray Granite	55.00	87	33	3.5

Compatible w/ 6' Flyte Deck, 606 Cantilever & 656 Supreme ONLY



Olympian Aluminum Boards

Part Number	Board Size	Color	Weight	Length	Width	Height
66-209-3082	8'	Radiant White	65.00	98	20	3
66-209-3083	8'	Marine Blue	65.00	98	20	3
66-209-3102	10'	Radiant White	78.00	122	20	3
66-209-3103	10'	Marine Blue	78.00	122	20	3
66-209-3122	12'	Radiant White	98.00	146	20	3
66-209-3123	12'	Marine Blue	98.00	146	20	3
66-209-3142	14'	Radiant White	190.00	170	20	3
66-209-3143	14'	Marine Blue	190.00	170	20	3
66-209-3162	16'	Radiant White	206.00	194	20	3
66-209-3163	16'	Marine Blue	206.00	194	20	3



Swim Club Boards

Part Number	Board Size	Color	Weight	Length	Width	Height
66-209-220S2-1	10'	Radiant White	100.00	122	20	3
66-209-220S3-1	10'	Marine Blue	100.00	122	20	3
66-209-2222-1	12'	Radiant White	125.00	146	20	3
66-209-2223-1	12'	Marine Blue	125.00	146	20	3
66-209-2242-1	14'	Radiant White	200.00	170	20	3
66-209-2243-1	14'	Marine Blue	200.00	170	20	3
66-209-2262-1	16'	Radiant White	230.00	194	20	3
66-209-2263-1	16'	Marine Blue	230.00	194	20	3

Mounting Kits

Part Number	Description	Weight
67-209-911-SS	Residential Board Mounting Kit - White	1
67-209-911-SS-PG	Residential Board Mounting Kit - Gray	1
67-209-911-SS-TP	Residential Board Mounting Kit - Taupe	1
67-209-903-SS	18" Commercial Board Mounting Kit for 10' and 12' boards	2
67-209-904-SS	20" Commercial Board Mounting Kit for 14' and 16' boards	2.5

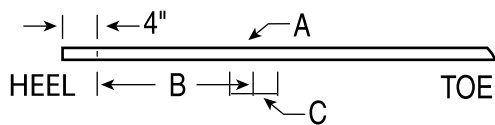
Board & Stand Selector

	2/3 M Deck Level	Cantilever	Deluxe 1 & 3 M	D-Lux	Econoline 1M	Flyte-Deck II	Frontier II	Salt Pool Jump System	Steel Meter 1/2, 3/4, 1M	Supreme	U-Frame
Eureka			•		•						
Fibre-Dive						•					•
FreeStyle		•		•		•		•		•	
Frontier II							•				
Frontier III		•				•		•	•	•	•
Frontier III Commercial	•		•		•				•		•
Frontier IV									•*		•*
Glas-Hide		•						•		•	
HipHop		•		•		•		•		•	
Olympian	•	•	•		•				•	•	•
Swim Club	•		•		•				•		•

*Frontier IV boards require a special part number stand – call factory for assistance

Fulcrum Settings for Diving Boards

A	Board	6'	8'	10'	12'	14'	16'
B	Fulcrum	30"	40"	52"	62"	74"	86"
C	Tolerance	±3"	±4"	±5"	±6"	±6"	±6"



Diving Boards must be installed with rubber fulcrum pads. Fulcrum settings beyond the stated tolerance void the warranty. Diving boards must be installed level across fulcrum and heel supports. Rubber mounting pads (washers) must be installed between. Tightening Schedule found in the product's instruction booklet.

Learn to safely install diving boards.

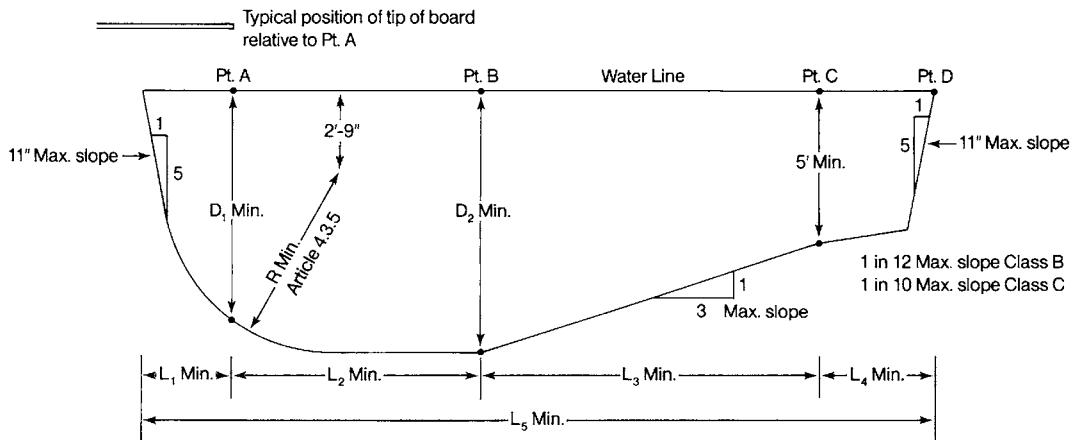
visit www.srsmith.com/cpi

Learn more about diving board safety at:

www.divingboardsafety.net

ANSI/NSPI-1 2003 Standard for Public Swimming Pools

Minimum Diving Water Envelope



NOTE: L₄ is a minimum dimension to allow sufficient length opposite the board. This may of course be lengthened to form the shallow portion of the pool.

POOL Type	MINIMUM DIMENSIONS									MIN. WIDTH OF POOL AT:		
	D1	D2	R	L1	L2	L3	L4	L5	PT. A	PT. B	PT. C	
VI	7'-0"	8'-6"	5'-6"	2'-6"	8'-0"	10'-6"	7'-0"	28'-0"	16'-0"	18'-0"	18'-0"	
VII	7'-6"	9'-0"	6'-0"	3'-0"	9'-0"	12'-0"	4'-0"	28'-0"	18'-0"	20'-0"	20'-0"	
VIII	8'-6"	10'-0"	7'-0"	4'-0"	10'-0"	15'-0"	2'-0"	31'-0"	20'-0"	22'-0"	22'-0"	
IX	11'-0"	12'-0"	8'-6"	6'-0"	10'-6"	21'-0"	0	37'-6"	22'-0"	24'-0"	24'-0"	

L₂, L₃, and L₄ combined represent the minimum distance from the tip of board to pool wall opposite diving equipment. For board heights exceeding 3 meters see Article 4.5.2.

NOTE: Placement of boards shall observe the following minimum dimensions. With multiple board installations minimum pool widths must be increased accordingly.

Pool Type	Related Diving Max. diving board length	Equipment Max board height over water	Note: Placement of boards shall observe the following minimum dimensions. With multiple board installations minimum pool widths must be increased accordingly
VI	10'	(2/3 Meter) 26"	Deck Level Board to Pool Side 8'
VII	12'	(3/4 Meter) 30"	1 Meter Board to Pool Side 10'
			3 Meter Board to Pool Side 11'
VIII	16'	1 Meter	1 Meter or Deck Level Board to 3 Meter Board 10'
IX	16'	3 Meter	1 Meter or Deck Level to another 1 Meter or Deck Level Board 8'
			3 Meter to another 3 Meter Board 10'

ANSI/NSPI-5 2003 Standard for Residential Inground Swimming Pools

Minimum Diving Water Envelope

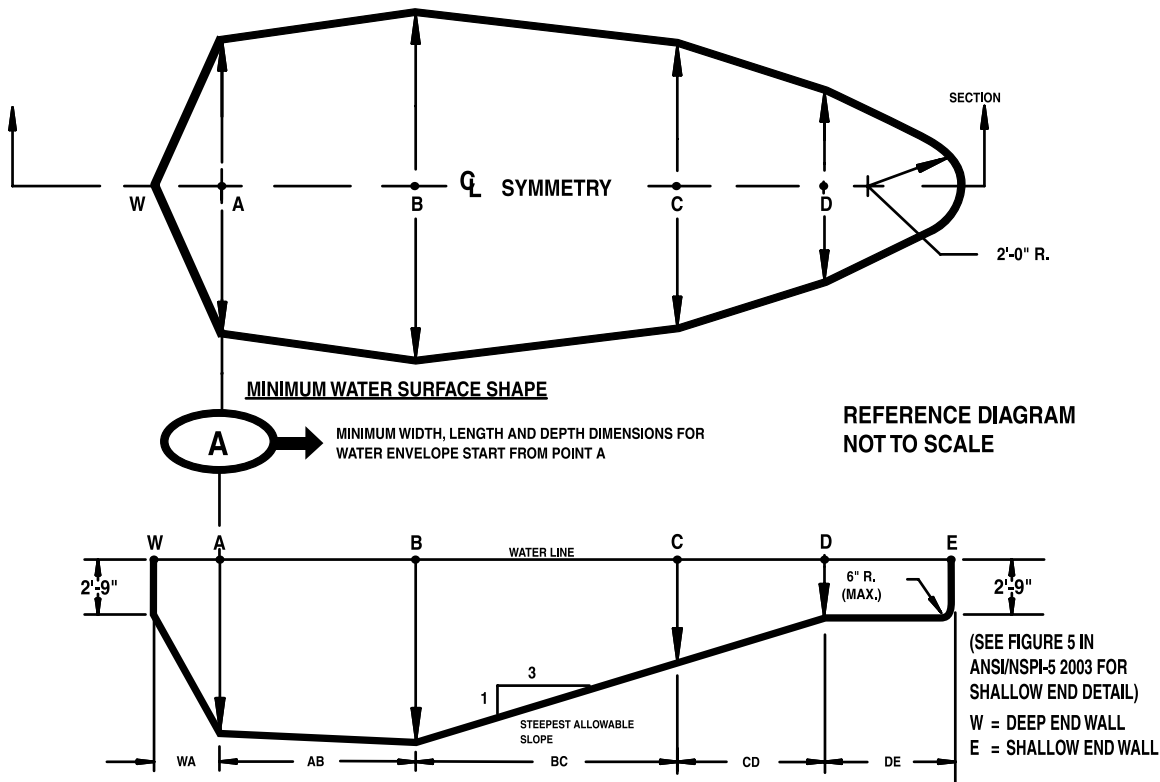
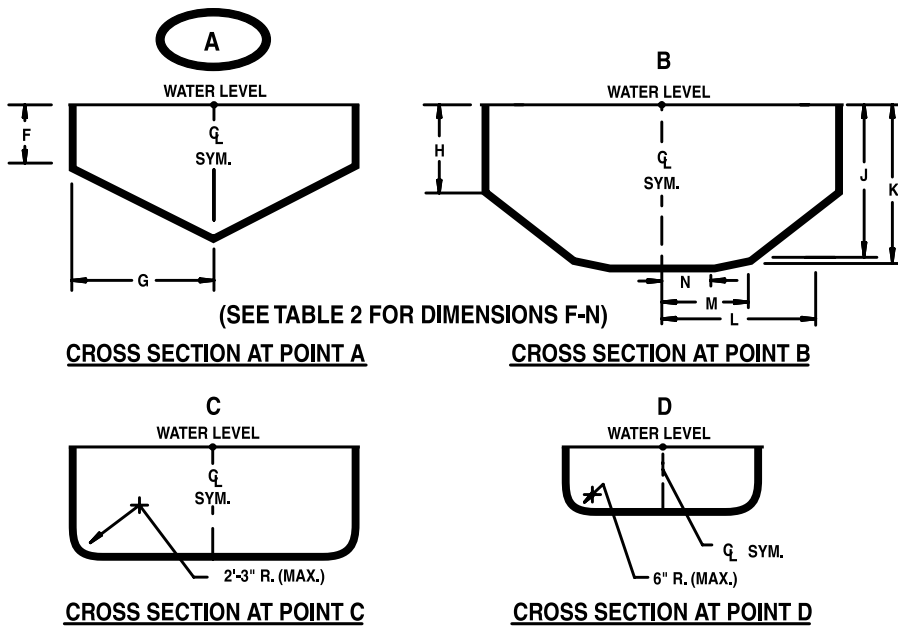


TABLE 1 – MINIMUM WATER ENVELOPE (ANSI/NSPI-5 2003)

POOL TYPE	MINIMUM DEPTHS AT POINT				MIN. WIDTH OF POOL AT POINT				MINIMUM LENGTHS BETWEEN POINTS				MINIMUM LENGTHS BETWEEN POINTS	
	A	B	C	D	A	B	C	D	WA	AB	BC	CD*	DE	WE
0	DIVING EQUIPMENT IS PROHIBITED													
I	6'-0"	7'-6"	5'-0"	2'-9"	10'-0"	12'-0"	10'-0"	8'-0"	1'-6"	7'-0"	7'-6"	VARIES	6'-0"	28'-9"
II	6'-0"	7'-6"	5'-0"	2'-9"	12'-0"	15'-0"	12'-0"	8'-0"	1'-6"	7'-0"	7'-6"	VARIES	6'-0"	28'-9"
III	6'-10"	8'-0"	5'-0"	2'-9"	12'-0"	15'-0"	12'-0"	8'-0"	2'-0"	7'-6"	9'-0"	VARIES	6'-0"	31'-3"
IV	7'-8"	8'-6"	5'-0"	2'-9"	15'-0"	18'-0"	15'-0"	9'-0"	2'-6"	8'-0"	10'-6"	VARIES	6'-0"	33'-9"
V	8'-6"	9'-0"	5'-0"	2'-9"	15'-0"	18'-0"	15'-0"	9'-0"	3'-0"	9'-0"	12'-0"	VARIES	6'-0"	36'-9"

NOTES:

- *1. Minimum length between points CD may vary based upon water depth at point D and the slope between points C & D.
- Figure 3 drawings are not to scale. (For pool types, see ANSI/NSPI-5 2003 Glossary).



(SEE TABLE 2 FOR DIMENSIONS F-N)

POOL TYPE		BOARD LENGTH						
		Pool Type 0	Pool Type I	Pool Type II	Pool Type III	Pool Type IV	Pool Type V	
STAND MODEL	Fusion	DIVING EQUIPMENT IS PROHIBITED	YES	YES	YES	YES	YES	
	D-Lux		6'	6'	6'	6'	6'	
	Flyte-Deck		6'	6', 8'	6', 8', 10'	6', 8', 10'	6', 8', 10'	
	U-Frame		6'	6', 8'	6', 8', 10'	6', 8', 10'	6', 8', 10', 12'	
	606/608 Cantilver (steel)		6'	6'	6', 8'	6', 8'	6', 8'	
	656/658 Supreme (fiberglass)		6'	6'	6', 8'	6', 8'	6', 8'	
	Salt Pool Jump Stand		6'	6'	6', 8'	6', 8'	6', 8'	
	Frontier II		6'	6'	6', 8'	6', 8'	6', 8'	
	1/2 Meter Steel				8'	8', 10'	8', 10'	8', 10'
	3/4 Meter Steel						10'	10', 12'
1 Meter Steel						10', 12'		

TABLE 2 – S.R. SMITH RESIDENTIAL POOL SPECIFICATIONS

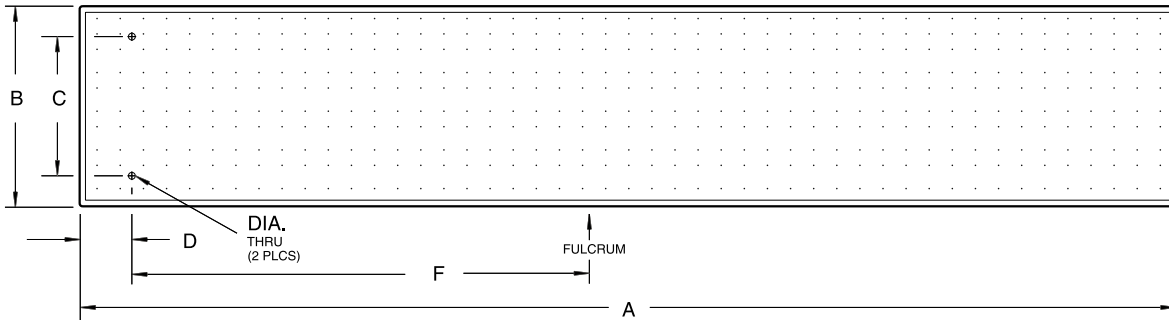
POOL TYPE	MAX. DIVING BOARD LENGTH	MAX. HEIGHT OVER WATER	CROSS SECTIONAL DIMENSIONS AT POINT A		CROSS SECTIONAL DIMENSIONS AT POINT B					
	DBL ^{**}	HOW ^{**}	F	G	H	J	K	L	M	N
0	DIVING EQUIPMENT IS PROHIBITED									
I	6' DB/6' JB	20"	2'-9"	5'-0"	4'-0"	7'-2 1/2"	7'-6"	6'-0"	3'-9"	2'-1 1/2"
II	8' DB/6' JB	20"	2'-9"	3'-10"	4'-2"	7'-2 1/2"	7'-6"	6'-8"	3'-9"	2'-1 1/2"
III	10' DB/8' JB	26"	2'-9"	4'-4 3/4"	4'-4 1/2"	7'-5 1/2"	8'-0"	6'-7"	3'-11 1/2"	1'-7 1/2"
IV	10' DB/8' JB	30"	2'-9"	5'-10 1/2"	3'-10"	7'-8"	8'-6"	8'-3"	5'-7"	2'-7"
V	12' DB/8' JB	40"	2'-9"	6'-2"	3'-11 1/2"	7'-9 1/2"	9'-0"	8'-2 1/2"	5'-9"	2'-1"

NOTES:

- **1. ABBREVIATIONS: DBL=Diving Board Length, DB=Diving Board, JB=Jump Board, HOW=Height Over Water.
- 2. IMPORTANT: The walls of a Type I Pool, when defining the Maximum Diving Water Envelope shall be plumb.
- 3. All dimensions are minimum, except where noted as maximum.
- 4. One half (1/2) the width shown at each point shall be available on each side of the diving equipment centerline.
- 5. Minimum water depth under tip of diving board (Point A) is important to maintain.

Board Identification Guide

TWO-HOLE DIVING BOARD DIMENSIONS



CURRENT DIVING BOARDS

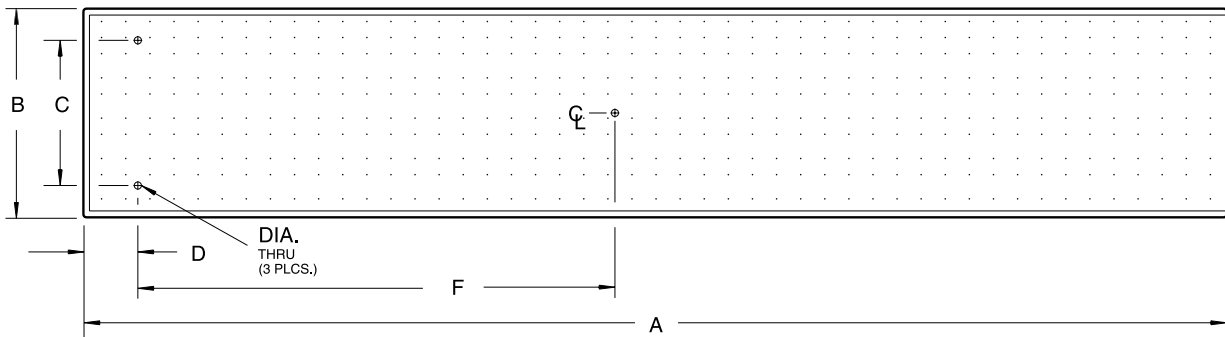
MODEL	A	B	C	D	F	DIA.
RESIDENTIAL POOL BOARDS						
6' Frontier III (10" Centers)	70.50"	17.25"	10.00"	4.00"	30.00"	19/32"
6' Fibre-Dive & Glas-Hide	70.50"	17.25"	12.00"	4.00"	30.00"	19/32"
8' Fibre-Dive & Glas-Hide	94.50"	17.25"	12.00"	4.00"	40.00"	19/32"
10' Fibre-Dive & Glas-Hide	118.50"	17.25"	12.00"	4.00"	52.00"	19/32"
6' Frontier III	70.50"	17.25"	12.00"	4.00"	30.00"	19/32"
8' Frontier III	94.50"	17.25"	12.00"	4.00"	40.00"	19/32"
10' Frontier III	118.50"	17.25"	12.00"	4.00"	52.00"	19/32"
8' Frontier IV	94.50"	17.25"	11.00"	4.00"	40.00"	19/32"
HipHop	80"	30"	12.00"			19/32"
FreeStyle	75"	36"	12.00"			19/32"
PUBLIC POOL BOARDS						
10' Commercial	118.50"	17.25"	12.00"	4.00"	52.00"	19/32"
12' Commercial	142.50"	17.25"	12.00"	4.00"	62.00"	19/32"
14' Commercial & Eureka	166.50"	19.25"	12.00"	4.00"	74.00"	19/32"
16' Commercial & Eureka	190.50"	19.25"	12.00"	4.00"	86.00"	19/32"
10' Aluminum	120.00"	18.00"	12.00"	4.00"	52.00"	19/32"
12' Aluminum	144.00"	18.00"	12.00"	4.00"	62.00"	19/32"
14' Aluminum	168.00"	20.00"	12.00"	4.00"	74.00"	19/32"
16' Aluminum	192.00"	20.00"	12.00"	4.00"	86.00"	19/32"

OBSOLETE DIVING BOARDS

AB-6F	6'	16.00"	10.00"	3.00"		
AB-8	8'	18.00"	12.00"	4.00"		
AB-10	10'	18.00"	12.00"	4.00"		
AB-12	12'	18.00"	12.00"	4.00"		
ABO-XII	12'	20.00"	12.00"	4.00"		
ABO-XIV	14'	20.00"	12.00"	4.00"		
ABO-XVI	16'	20.00"	12.00"	4.00"		
12' Frontier III	142.50"	17.25"	12.00"	4.00"	62.00"	19/32"

Board Identification Guide

THREE-HOLE JUMP BOARD DIMENSIONS



CURRENT JUMP BOARDS

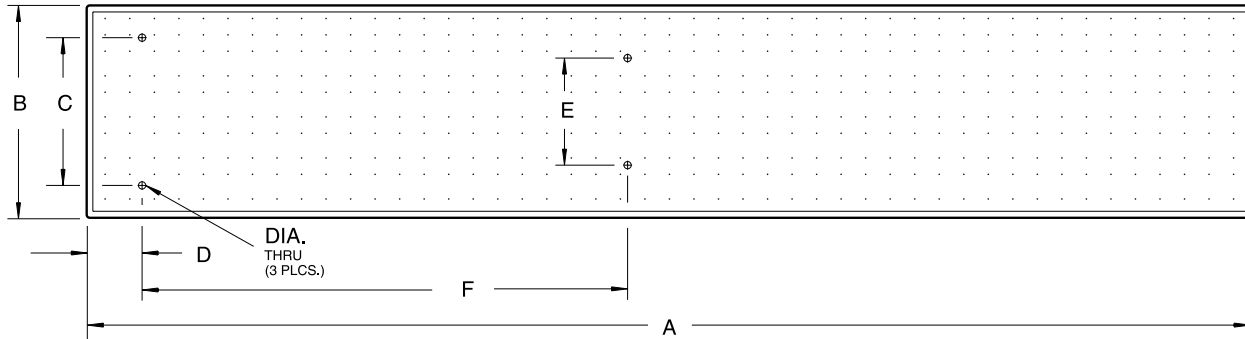
MODEL	A	B	C	D	F	DIA.
6' Anthony	70.50"	17.25"	12.00"	3.25"	20.50"	19/32"
6' Frontier II	70.50"	17.25"	4.50"	8.00"	30.00"	19/32"
6' Pioneer	70.50"	17.25"	12.00"	12.00"	15.00"	19/32"
8' Frontier II	94.50"	17.25"	4.50"	14.00"	36.00"	19/32"
8' Anthony	94.50"	17.25"	12.00"	3.25"	30.50"	19/32"

OBSOLETE JUMP BOARDS

6' Frontier	70.50"	17.25"	12.00"	12.00"	18.00"	19/32"
8' Frontier	94.50"	17.25"	12.00"	12.00"	30.00"	19/32"
ASB-40-3-1	4.50'	16.00"	4.50"	3.50"	27.00"	
ASB-60-3-1	6'	16.00"	4.50"	8.00"	30.00"	
ASB-80-3-1	8'	18.00"	4.50"	14.50"	36.00"	
ACB-4	4'	16.00"	4.50"	4.50"	16.00"	
ACB-6	6'	16.00"	4.50"	8.00"	30.00"	
ACB-8	8'	18.00"	4.50"	14.50"	36.00"	
ACB-50M-4	4'	16.00"	10.00"	3.00"	16.00"	
ACB-50M-6	6'	16.00"	10.00"	4.00"	30.00"	
ACB-50M-8	8'	18.00"	10.00"	4.00"	36.00"	
KKJ-40/50M-4	4'	16.00"	12.00"	4.00"	16.00"	
KKJ-40/50M-6	6'	16.00"	12.00"	12.00"	15.00"	
KKJ-50M-8	8'	18.00"	12.00"	12.00"	29.50"	
Marine 6'	6'	16.00"	12.00"	12.00"	15.00"	
Marine 8'	8'	18.00"	12.00"	12.00"	29.50"	
6' Continental Single Spring	6'	16.00"	12.00"	12.00"	15.00"	
8' Continental Single Spring	8'	18.00"	12.00"	12.00"	29.50"	
6' DBS Single Spring	6'	16.00"	12.00"	12.00"	15.00"	
8' DBS Single Spring	8'	18.00"	12.00"	12.00"	29.50"	
6' Anthony Single Spring	6'	16.00"	12.00"	6.00"	20.50"	
8' Anthony Single Spring	8'	18.00"	12.00"	6.00"	30.50"	

Board Identification Guide

FOUR-HOLE JUMP BOARD DIMENSIONS



CURRENT JUMP BOARDS

MODEL	A	B	C	D	E	F	DIA.
6' Baja	70.50"	17.25"	12.00"	12.00"	7.00"	15.00"	7/16"
8' Baja	94.50"	17.25"	12.00"	12.00"	7.00"	26.00"	7/16"

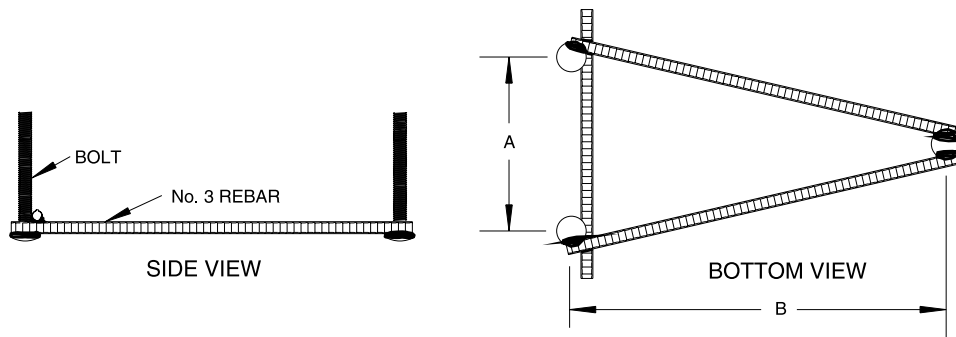
OBSOLETE JUMP BOARDS

4' Baja	46.50"	17.25"	12.00"	12.00"	7.00"	7.00"	7/16"
6' Space Maker	70.50"	17.25"	12.00"	12.00"	12.00"	30.50"	19/32"
8' Space Maker	94.50"	17.25"	12.00"	20.00"	12.00"	30.50"	19/32"
Gazelle	94.50"	17.25"	12.00"	10.00"	12.00"	20.00"	19/32"
ASB-40-3	4'	16.00"	4.50"	3.50"	4.50"	27.00"	
ASB-60-3	6'	16.00"	4.50"	8.00"	4.50"	30.00"	
ASB-80-3-1	8'	18.00"	4.50"	12.00"	4.50"	36.00"	
6' DBS Double Spring	6'	16.00"	12.00"	6.00"	10.50"	24.00"	
8' DBS Double Spring	8'	18.00"	12.00"	6.00"	10.50"	36.00"	
6' Swimline Double Spring	6'	16.00"	12.00"	6.00"	10.50"	24.00"	
8' Swimline Double Spring	8'	18.00"	12.00"	6.00"	10.50"	36.00"	
6' Old Style Double Spring	6'	18.00"	12.00"	8.00"	12.00"	30.00"	
8' Old Style Double Spring	8'	18.00"	12.00"	12.00"	12.00"	36.00"	

The WARRANTY applies ONLY if the stands have the proper fulcrum length, the board rests evenly on the fulcrum pads and the board does not come in contact with ANY metal of the stands.

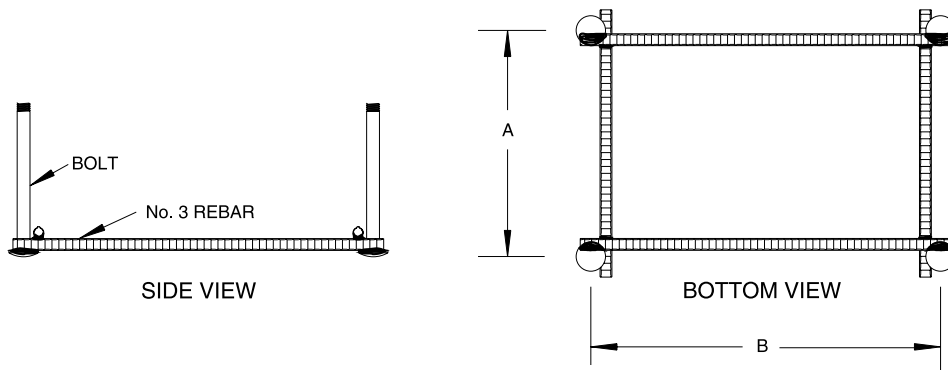
Jig Identification Guide

THREE-BOLT JIGS



JIG TYPE	PART NO.	A	B	
6' FLYTE-DECK / D-LUX	71-209-700-SS	6.50"	14.00"	1/2" X 6" CARRIAGE
* 8' FLYTE-DECK OLD	71-209-702-SS	6.50"	22.00"	1/2" X 6" CARRIAGE
8' FLYTE-DECK NEW	71-209-704-SS	6.50"	24.00"	1/2" X 6" CARRIAGE
10' FLYTE-DECK	71-209-703-SS	6.50"	31.00"	1/2" X 6" CARRIAGE
6' & 8' FRONTIER II SPRING	69-209-227-SS	3.25"	6.00"	5/8" X 6" CARRIAGE
* 4' COBRA COIL	67-521-10-SS	18.00"	16.00"	1/2" X 6" CARRIAGE
* 6' COBRA COIL	67-521-10-SS	18.00"	30.00"	1/2" X 6" CARRIAGE
* 8' COBRA COIL	67-521-10-SS	18.00"	36.00"	1/2" X 6" CARRIAGE
* 4' AQUA COIL	02-946-11-SS	4.50"	16.00"	1/2" X 6" CARRIAGE

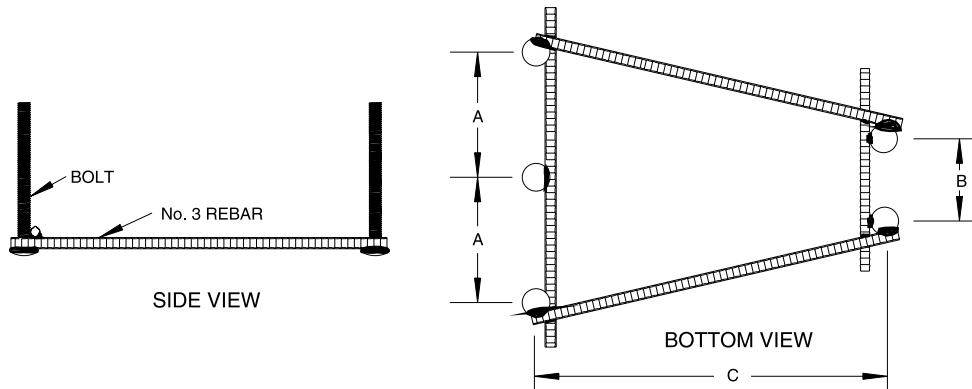
FOUR-BOLT JIGS



JIG TYPE	PART NO.	A	B	BOLT
656/658 FIBERGLASS	69-209-007-SS	14.00"	14.00"	1/2" X 7" CARRIAGE
606/608 STEEL / SALT POOL STAND / FUSION	69-209-006-SS	12.00"	12.00"	1/2" X 6" CARRIAGE
606-F	69-209-007-SS	14.00"	14.00"	1/2" X 7" CARRIAGE
* 6' & 8' FRONTIER II STEEL PEDESTAL	69-209-229-SS	6.00"	12.00"	1/2" X 6" CARRIAGE
* 6' FRONTIER II FIBERGLASS	69-209-224-SS	5.00"	6.00"	1/2" X 7" CARRIAGE
* 8' FRONTIER II FIBERGLASS	69-209-225-SS	5.00"	12.00"	1/2" X 7" CARRIAGE
* 10' FRONTIER II FIBERGLASS	69-209-226-SS	6.00"	26.50"	1/2" X 7" CARRIAGE
* AJ-6' & AJ-8' CPB OR DPB	67-971-10-SS	8.00"	12.00"	1/2" X 6" CARRIAGE
* OBSOLETE JIG				

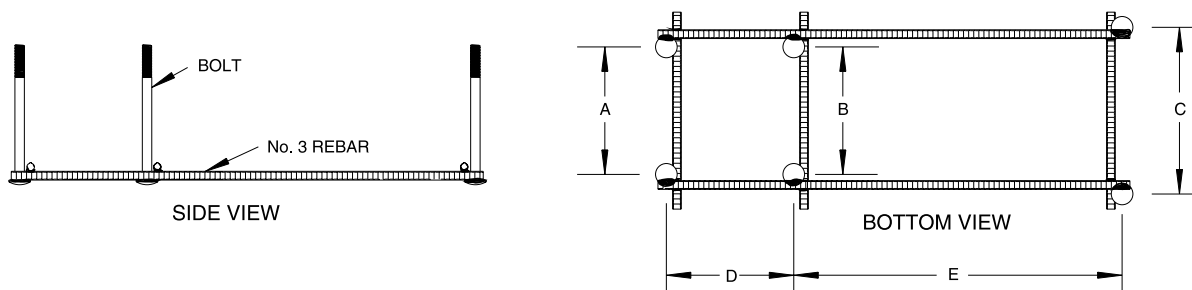
Jig Identification Guide

FIVE-BOLT JIGS



JIG TYPE	JIG PART NO.	A	B	C	BOLT
* 6' CHEVRON	71-209-726-SS	4.00"	5.00"	14.00"	1/2" X 6" CARRIAGE
* 8' CHEVRON	71-209-728-SS	4.00"	5.00"	22.00"	1/2" X 6" CARRIAGE
* 10' CHEVRON	71-209-730-SS	4.00"	5.00"	27.00"	1/2" X 6" CARRIAGE

SIX-BOLT JIGS

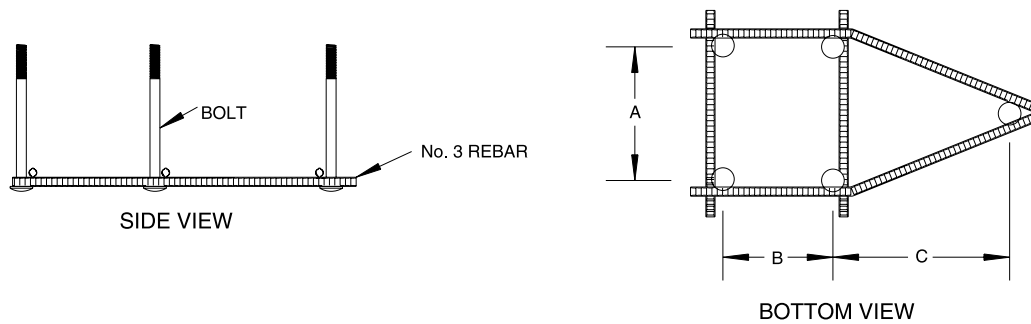


JIG TYPE	JIG PART NO.	A	B	C	D	E	BOLT
STEEL METER	71-209-541-SS	4.00"	6.50"	10.00"	3.00"	17.00"	1/2" X 6" CARRIAGE
* 4' BAJA	69-209-698-SS	6.50"	6.50"	8.50"	6.50"	9.00"	1/2" X 6" CARRIAGE
* 6' BAJA	69-209-699-SS	6.50"	6.50"	8.50"	6.50"	16.75"	1/2" X 6" CARRIAGE
* 8' BAJA	69-209-700-SS	6.50"	6.50"	8.50"	6.50"	27.75"	1/2" X 6" CARRIAGE
* 6' FRONTIER	69-209-676-SS	6.50"	6.50"	6.50"	6.50"	17.50"	1/2" X 6" CARRIAGE
* 6' PIONEER		6.50"	8.00"	6.50"	5.50"	15.50"	1/2" X 5-1/2" CARRIAGE
* 8' FRONTIER	69-209-678-SS	6.50"	6.50"	6.50"	6.50"	29.50"	1/2" X 6" CARRIAGE
* 8' PIONEER		6.50"	8.00"	6.50"	5.50"	29.50"	1/2" X 5-1/2" CARRIAGE

* OBSOLETE JIG

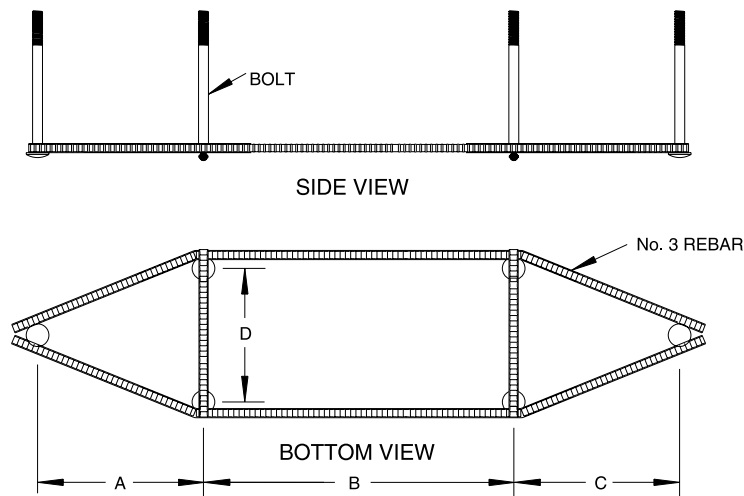
Jig Identification Guide

FIVE-BOLT JIGS



JIG TYPE	JIG		A	B	C	BOLT
	JIG TYPE	PART NO.				
* KKJ-40M-4	67-550-11-SS		6.50"	6.50"	7.50"	1/2" X 6" CARRIAGE

SIX-BOLT JIGS



JIG TYPE	JIG		A	B	C	D	BOLT
	JIG TYPE	PART NO.					
* ADFC-50M-8F	02-970-11-SS		4.00"	15.50"	4.00"	4.25"	1/2" X 6" CARRIAGE
* ADFC-50M-10F	02-970-11-SS		4.00"	15.50"	4.00"	4.25"	1/2" X 6" CARRIAGE
* ADFC-66M-1012F	02-970-11-SS		4.00"	15.50"	4.00"	4.25"	1/2" X 6" CARRIAGE
* ADC-50M-8	02-971-10-SS		4.00"	15.50"	4.00"	4.25"	1/2" X 6" CARRIAGE
* ADC-50M-810	02-971-10-SS		4.00"	15.50"	4.00"	4.25"	1/2" X 6" CARRIAGE
* ADC-75M-1012	02-971-10-SS		4.00"	15.50"	4.00"	4.25"	1/2" X 6" CARRIAGE
* ADC-100M-1012	02-971-10-SS		4.00"	15.50"	4.00"	4.25"	1/2" X 6" CARRIAGE
* OBSOLETE JIG							



Swim N' Spike Volleyball Games



- Competition quality net fits pools up to 16 ft wide (custom sizes also available)
Standard net: 36" tall x 16' wide, with 5'7" ties on either side.
- Commercial grade, 1.90" OD stainless steel uprights with a 4' installed height
- Removable posts– optional anchor cap sits flush to deck when not in use
- Competitive water volleyball, needle and AS-100P plastic anchors are included

Commercial Volleyball Games

Part No.	Description	Shipping Wt.	L	W	H
VOLYC32	Commercial volleyball game, 30'-36' net, complete w/ anchors	25 lbs.			
VOLYC42	Commercial volleyball game, 40'-46' net, complete w/ anchors	30 lbs.			
VOLYC52	Commercial volleyball game, 50'-56' net, complete w/ anchors	36 lbs.			

COMPONENTS

VOLY1A	Swim N' Spike uprights	12 lbs.	55"	5"	2.5"
VBK-101	32' net, volleyball and needle	3.5 lbs.	20.5"	7.5"	7.5"
VBK-102	42' net, volleyball and needle	3.5 lbs.	24"	8"	8"
VBK-103	52' net, volleyball and needle	3.5 lbs.	12"	13"	13"
69-209-200	Plastic Anchor kit w/escutcheons	5 lbs.	8"	8"	4"



Salt Pool Friendly Volleyball Game

Our traditional volleyball game with black, salt friendly vinyl coated uprights.

Part No.	Description	Shipping Wt.	L	W	H
S-VOLY	Salt Pool Friendly volleyball game, complete w/anchors	19 lbs.			

COMPONENTS

VOLY2A	Salt Pool Friendly game uprights	12 lbs.	55"	5"	2.5"
VBK-100	16' net, volleyball and needle	3.5 lbs.	11"	9"	9"
69-209-200-VB	Plastic Anchor kit w/escutcheons, black	5 lbs.	8"	8"	4"

Swim N' Spike Traditional Volleyball Game

Part No.	Description	Shipping Wt.	L	W	H
VOLY	Swim N' Spike volleyball game, complete w/anchors	21 lbs.			

COMPONENTS

VOLY1A	Swim N' Spike uprights	12 lbs.	55"	5"	2.5"
VBK-100	16' net, volleyball and needle	3.5 lbs.	11"	9"	9"
69-209-200	Plastic Anchor kit w/escutcheons	5 lbs.	8"	8"	4"

Optional:
30009 Bronze Anchor Set (2)

Swim N' Dunk Basketball Games



Traditional Dual-post Basketball Game

- Available in single or dual-post designs
- Commercial grade, 1.90" OD stainless steel uprights
- Removeable unit – optional anchor cap sits flush to deck when not in use
- Regulation rim, net, basketball, needle and AS-100P plastic anchors are included

Commercial Dual-post Basketball Game

Part No.	Description	Shipping Wt.	L	W	H
COMPLETE					
BASKC	Commercial basketball game, complete w/anchors	60 lbs.			
COMPONENTS					
BASKC-1A	Uprights, crossbrace, ball, needle	33 lbs.	75"	14"	2"
SPG-100	Backboard w/ hardware	22 lbs.	45"	30.5"	2"
SPG-101	Rim and net with hardware	9 lbs.	25"	19.5"	5"
69-209-200	Plastic Anchor set w/escutcheons	5 lbs.	8"	8"	4"

Traditional Dual-post Basketball Game

Part No.	Description	Shipping Wt.	L	W	H
COMPLETE					
BASK	Swim N' Dunk game, complete w/anchors	62 lbs.			
COMPONENTS					
BASK1A	Uprights, crossbrace, ball, needle	22 lbs.	75"	11"	2"
SPG-100	Backboard w/ hardware	22 lbs.	45"	30.5"	2"
SPG-101	Rim and net with hardware	9 lbs.	25"	19.5"	5"
69-209-200	Plastic Anchor set w/escutcheons	5 lbs.	8"	8"	4"



Salt Pool Friendly Basketball Game

Salt Pool Friendly Competition Basketball Game

The Salt Pool Friendly basketball game has black salt friendly vinyl coated uprights and rim

Part No.	Description	Shipping Wt.	L	W	H
COMPLETE					
S-BASK-44	Salt Pool Friendly game, complete w/anchors	46 lbs.			
COMPONENTS					
BASK2A	Uprights, crossbrace, ball, needle	23 lbs.	75"	11"	2"
S-BASK-B	Backboard, no hardware	12 lbs.	45"	30"	2"
S-BASK-R	Vinyl coated rim w/hardware	12 lbs.	25"	20"	4"
69-209-200-VB	Plastic Anchor set w/black escutcheons	5 lbs.	8"	8"	4"

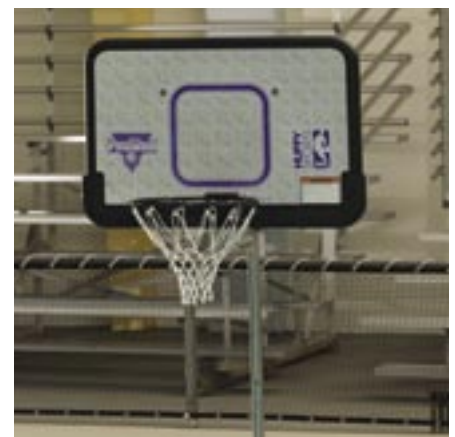
Competition Basketball Game

The Competition basketball game has a black powder coated rim with stainless steel uprights

Part No.	Description	Shipping Wt.	L	W	H
COMPLETE					
BASK-44	Competition game, complete w/anchors	46 lbs.			
COMPONENTS					
BASK3A	Uprights, crossbrace, ball, needle	20 lbs.	75"	11"	2"
S-BASK-B	Backboard, no hardware	12 lbs.	45"	30"	2"
P-BASK-R	Powder coated rim w/hardware	12 lbs.	25"	20"	4"
69-209-200	Plastic Anchor set w/escutcheons	5 lbs.	8"	8"	4"

Single-post Basketball Game

Part No.	Description	Shipping Wt.	L	W	H
COMPLETE					
SPBASK-100	Single-post basketball game, complete w/anchor and escutcheon	42 lbs.			
COMPONENTS					
SPG-104	Backboard, rim and net with hardware	26 lbs.	45"	30"	6"
69-209-197	Frame, ball and needle	14 lbs.	65"	14"	5"
AS-100P	Plastic Anchor w/escutcheon	3 lbs.	6"	6"	3"
EP-100F	Escutcheon	1 lb.			



Single-post Basketball Game

Single-post Basketball/Volleyball Combo Pack

Part No.	Description	Shipping Wt.	L	W	H
COMPLETE					
SPBASK-200	Single-post basketball/volleyball kit, complete w/anchors	60 lbs.			
COMPONENTS					
SPG-104	Single post basketball board, rim and net w/hardware	26 lbs.	45"	30"	6"
69-209-197	Frame, ball, needle	14 lbs.	65"	14"	5"
VBK-105	16' Volleyball net	3 lbs.	27"	5"	4"
69-209-169	Single post combo volleyball package	12 lbs.	55"	3"	3"
69-209-200	Plastic Anchor set w/escutcheons	5 lbs.	8"	8"	4"

Accessories and Replacement Parts

Part No.	Description
69-209-115	Jig for dual post games
SPG-102	Basketall (replacement)
30009	Bronze Anchor set (2)



Ladders + Rails

Putting some thought into selecting the right rail materials for your pool will extend the life of your ladders and rails. Here are a few things to consider when purchasing rail goods, to ensure you get the maximum performance from your products.

Pool Environment

Is the pool indoor or outdoor? Is the pool water maintained via traditional chlorination, or with a salt chlorinator? Some pool environments are more challenging than others and the various rail finishes that are available to you will perform differently depending on the environment.

Types of Finishes

Traditional Stainless Steel — We use 304 stainless steel on our standard rails.

Marine Grade – 316L stainless steel. A higher level of protection against harsh environments. The minimum that you would want in a salt chlorinated pool.

Powder Coated – A high-quality, scratch and corrosion resistant coating available in a variety of colors.

SealedSteel™ – Steel rails fully encapsulated with a protective vinyl coating that helps keep corrosion out and durability locked in.

	Outdoor Pool		Indoor Pool	
	Traditional Chlorinator	Salt Chlorinator	Traditional Chlorinator	Salt Chlorinator
SealedSteel	•	•	•	•
Powder Coated	•	•	•	
Marine Grade	•	•		
Stainless Steel	•			

Proper care and maintenance can dramatically affect the lifespan of your rail products. Learn more about care and maintenance of these different types of rail finishes on page 136.

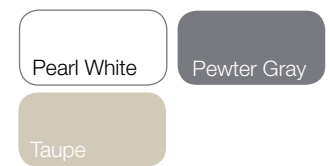
Aesthetics

Would you like your ladders and rails to blend into the surroundings? Powder coating and SealedSteel are both available in a range of colors to match your decking and other fixtures.

Powder Coated Colors



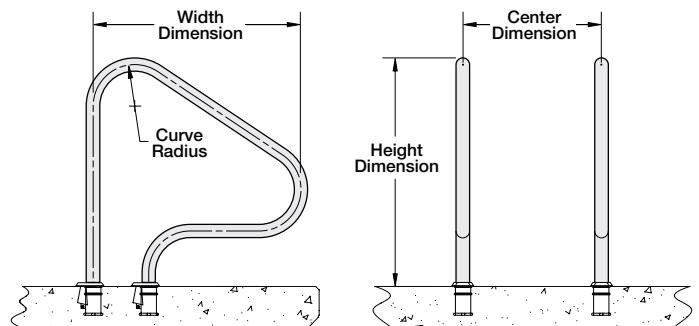
SealedSteel Colors



Actual product colors may vary

Getting the Right Fit

When measuring your current rail for a replacement, take the following measurements.



Download our rail identification guide at www.srsmith.com/railid

Whether you need a minor variation to one of our standard rail configurations shown in this catalog, or something completely custom, visit our online rail configurator for help:

www.srsmith.com/customrails

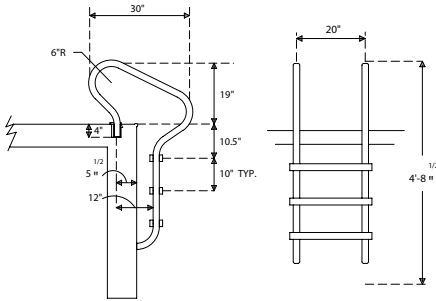
Camelback Ladder



- Tubing: 1.90" OD
- Wall Thickness: .049"
- Type: 304 stainless steel
- Bends: All 6" Radius
- Elite model: LTDF-103 treads, Econoline model: LTDF-101 treads

Econoline Model	Shipping Wt.	Elite Model	Shipping Wt.	Description	L	W	H
CBL-103E	27 lbs.	CBL-103S	32 lbs.	3-step ladder	59"	39"	2"

NOTES: Frames extend 6 1/2" from the pool wall. Frame is secured to pool deck with two anchor sockets 3 1/2" in from the pool wall on 20" centers (elite), or 19" centers (econoline). Lower end of frame is bent to meet pool wall and fitted with two white rubber bumpers.



Commercial Ladder

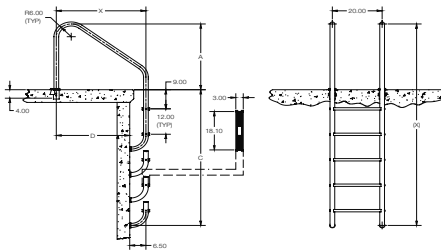
- Tubing: 1.90" OD (1.50" OD available upon request)
- Wall Thickness: .065"
- Type: 304, 316L* stainless steel
- Bends: 6" radius
- Stainless steel, LTDF-103 treads

Model No.	Description
LF-X-2A	2-Step Ladder
LF-X-3B	3-Step Ladder
LF-X-4C	4-Step Ladder
LF-X-5D	5-Step Ladder
LFB-X-2A	2-Step Ladder with cross brace
LFB-X-3B	3-Step Ladder with cross brace
LFB-X-4C	4-Step Ladder with cross brace
LFB-X-5D	5-Step Ladder with cross brace
LFB-36-3B-12	Special 36" crossbrace 3-step ladder w/ 12" extended length

Key to order: X=Width dimension: 24 for 24" ladder, 30 for 30" ladder, or 36 for 36" ladder
Safety step kits also available. Add a T to the end of the part number when ordering.

*Marine Grade, add -MG to part number when ordering. REQUIRED for Salt Pools.

NOTES: Frames extend 6 1/2" from the pool wall. Frame is secured to the pool deck with two anchor sockets on 20" centers. Lower end of frame is bent to meet pool wall and fitted with two white rubber bumpers.



See www.srsmith.com/dimensions for detailed dimensions

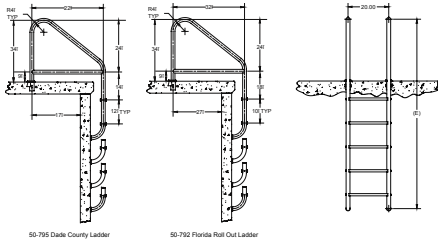
Anchors and escutcheons sold separately. See pages 122-125 for details.

Dade County Ladder



- Tubing: 1.90" OD
- Wall Thickness: .049"
- Type: 304, 316L* stainless steel
- Bends: 4" radius
- Elite model: LTDF-103 treads, Econoline model: LTDF-101 treads

Econoline Model	Shipping Wt.	Elite Model	Shipping Wt.	Description	L	W	H
50-795E	35 lbs.	50-795S	36 lbs.	Dade County Ladder + cross brace	71"	29"	2"
50-794E	21 lbs.	50-794S	24 lbs.	Dade County Ladder	71"	29"	2"
50-791E	25 lbs.	50-791S	27 lbs.	Florida Roll Out Ladder	78"	41"	2"
50-792E-30	34 lbs.	50-792S-30	36 lbs.	Dade County/Florida Roll Out + cross brace	77.5"	42"	2.5"
		50-792S-32	37 lbs.	Florida Roll Out Ladder + cross brace	77.5"	42"	2.5"
50-792E-34	36 lbs.	50-792S-34	38 lbs.	Dade County/Florida Roll Out + cross brace	77.5"	42"	2.5"
50-792E-36	36 lbs.	50-792S-36	42 lbs.	Dade County/Florida Roll Out + cross brace	77.5"	42"	2.5"



*Marine Grade, add -MG to part number when ordering. REQUIRED for Salt Pools.

Note: Frames extend 4 1/2" from the pool wall. Frame is secured to the pool deck with two anchor sockets on 20" centers (elite), or 19" centers (econoline). Lower end of frame is bent to meet pool wall and fitted with two white rubber bumpers.

Dock Ladder

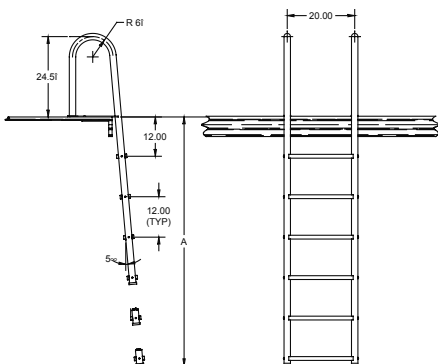


- Tubing: 1.90" OD
- Wall Thickness: .065"
- Type: 304, 316L* stainless steel

Model No.	Description	Shipping Wt.	L	W	H
LLS-4	4-Step Ladder	60 lbs.	82"	28"	2"
LLS-5	5-Step Ladder	65 lbs.	90"	28"	2"
LLS-6	6-Step Ladder	70 lbs.	90"	28"	2"

*Marine Grade, add -MG to part number when ordering. REQUIRED for Salt Pools.

NOTES: Mounting bolts are not included



See www.srsmith.com/dimensions for detailed dimensions

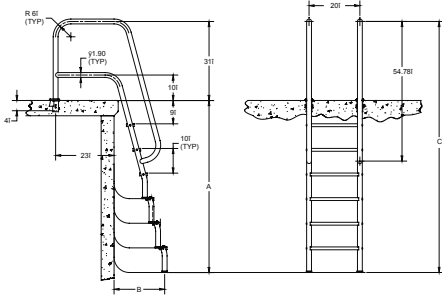


Easy-Out Therapeutic Ladder

- Tubing: 1.90" OD
- Wall Thickness: .065"
- Type: 304, 316L* stainless steel

Model No.	Description	Shipping Wt.	L	W	H
TL-3B	3-Step Ladder	35 lbs.	77"	41"	4"
TL-4C	4-Step Ladder	41 lbs.	82"	41"	4"
TL-5D	5-Step Ladder	47 lbs.	92"	41"	4"
TL-6E	6-Step Ladder	55 lbs.	105"	41"	4"

*Marine Grade, add -MG to part number when ordering. REQUIRED for Salt Pools.



See www.srsmith.com/dimensions for detailed dimensions



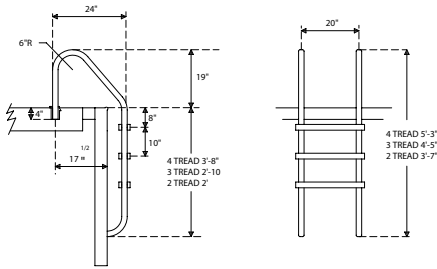
Economy Ladder

- Tubing: 1.90" OD
- Type: 304, 316L* stainless steel
- Bends: All 6" Radius
- Powder Coating and SealedSteel Available
- Elite model: LTDF-103 treads, Econoline model: LTDF-101 treads

Econoline Model	Shipping Wt.	Elite Model	Shipping Wt.	Description	L	W	H
VLLS-102E	21 lbs.	VLLS-102S	23 lbs.	2-step ladder	61"	29"	2"
VLLS-103E	23 lbs.	VLLS-103S	25 lbs.	3-step ladder	61"	29"	2"
VLLS-104E	24 lbs.	VLLS-104S	27 lbs.	4-step ladder	66"	29"	2"

*Marine Grade, add -MG to part number when ordering. REQUIRED for Salt Pools.

NOTES: Frames extend 6 1/2" from the pool wall. Also available in SealedSteel. Anchors must be set at 20" (elite), or 19" centers (econoline). Lower end of frame is bent to meet pool wall and fitted with two white rubber bumpers. For powder coated add -RG for Rock Gray, -SG for Silver Gray, -PW for White, or -TP for Taupe to the part number when ordering. For SealedSteel add -WV for White, -VG for Pewter Gray, or -VT for Taupe to the part number when ordering.



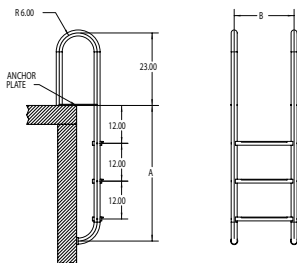
On-ground Ladder

- Tubing: 1.90" OD
- Wall thickness: .049"
- Type: 304, 316L* stainless steel
- Bends: All 6" Radius
- Elite model: LTDF-103 treads, Econoline model: LTDF-101 treads

Econoline	Elite	Description	Shipping Wt.	L	W	H
OGL-3E-100	OGL-3S-100	3-step ladder (66" total height)	27 lbs.	69"	16"	2"
OGL-3E-101	OGL-3S-101	3-step ladder (61" total height)	27 lbs.	69"	16"	2"

*Marine Grade, add -MG to part number when ordering. REQUIRED for Salt Pools.

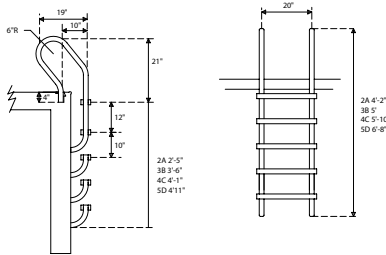
NOTES: Frames extend 6 1/2" from the pool wall. For plastic steps, anchors must be set at 20" (elite), or 19" centers (econoline). Lower end of frame is bent to meet pool wall and fitted with two white rubber bumpers.



See www.srsmith.com/dimensions for detailed dimensions

Anchors and escutcheons sold separately. See pages 122-125 for details.

Parallel-Look Ladder



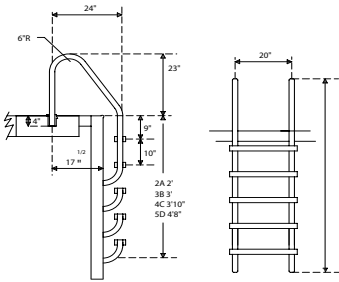
- Tubing: 1.90" OD
- Wall Thickness: .049"
- Type: 304, 316L* stainless steel
- Bends: All 6" Radius
- Elite model: LTDF-103 treads, Econoline model: LTDF-101 treads

Econoline Model	Shipping Wt.	Elite Model	Shipping Wt.	Description	L	W	H
PLL-12E-2A	22 lbs.	PLL-12S-2A	22 lbs.	2-step	60"	28"	2"
PLL-12E-3B	24 lbs.	PLL-12S-3B	24 lbs.	3-step	65"	28"	2"
PLL-12E-4C	28 lbs.	PLL-12S-4C	28 lbs.	4-step	82"	28"	2"
PLL-12E-5D	31 lbs.	PLL-12S-5D	31 lbs.	5-step	90"	28"	2"

*Marine Grade, Add -MG to part number when ordering. REQUIRED for Salt Pools.

NOTES: Frames extend 6 1/2" from the pool wall. Frame is secured to pool deck with two anchor sockets 3 1/2" in from the pool wall on 20" centers (elite), or 19" centers (econoline). Lower end of frame is bent to meet pool wall and fitted with two white rubber bumpers.

Residential Ladder



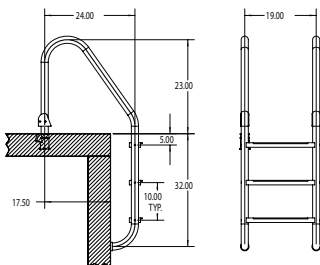
- Tubing: 1.90" OD
- Wall Thickness: .049"
- Type: 304, 316L* stainless steel
- Bends: 6" Radius
- Elite model: LTDF-103 treads, Econoline model: LTDF-101 treads

Econoline Model	Shipping Wt.	Elite Model	Shipping Wt.	Description	L	W	H
RLF-24E-2A	21 lbs.	RLF-24S-2A	22 lbs.	2-step ladder	60"	28"	2"
RLF-24E-3B	24 lbs.	RLF-24S-3B	25 lbs.	3-step ladder	65"	28"	2"
RLF-24E-4C	29 lbs.	RLF-24S-4C	30 lbs.	4-step ladder	82"	28"	2"
RLF-24E-5D	32 lbs.	RLF-24S-5D	33 lbs.	5-step ladder	90"	28"	2"

*Marine Grade, add -MG to part number when ordering. REQUIRED for Salt Pools.

Note: Frames extend 6 1/2" from the pool wall. Frame is secured to pool deck with two anchor sockets on 20" centers (elite), or 19" centers (econoline). Lower end of frame is bent to meet pool wall and fitted with two white rubber bumpers.

Snap-lok Ladder



- Tubing: 1.90" OD
- Wall thickness: .049"
- Type: 304, 316L* stainless steel
- Bends: All 6" Radius
- Stainless steel hinge brackets are bolted to ladder frames with stainless steel bolts and acorn nuts.
- Elite model: LTDF-103 treads, Econoline model: LTDF-101 treads

Econoline	Shipping Wt.	Elite	Shipping Wt.	Description	L	W	H
SLF-24E-3B	24 lbs.	SLF-24S-3B	25 lbs.	3-step ladder	61"	29"	2"

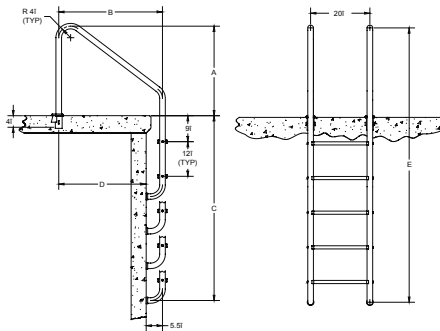
*Marine Grade, add -MG to part number when ordering. REQUIRED for Salt Pools.

Note: Frames extend 6 1/2" from the pool wall. Frame is secured to pool deck with two anchor sockets on 20" centers (elite), or 19" centers (econoline). Lower end of frame is bent to meet pool wall and fitted with two white rubber bumpers.

Standard Plus and Crossbrace Plus with Plastic Treads



- Tubing: 1.90" OD
- Wall Thickness: .065", .109", or .145"
- Type: 304 stainless steel
- Bends: 4" radius
- Plastic, LTDF-106 tread



See www.srsmith.com/dimensions for detailed dimensions



Item No.	Description	Shipping Wt.	L	W	H
10001 to 10003	23" 2-Step Ladder with .065", .109", .145 tubing	30 lbs., 42, 54	61"	29"	2"
10004 to 10006	23" 3-Step Ladder with .065", .109", .145 tubing	36 lbs., 50, 62	70"	28"	2"
10007 to 10009	23" 4-Step Ladder with .065", .109", .145 tubing	40 lbs., 58, 70	82"	28"	2"
10010 to 10012	23" 5-Step Ladder with .065", .109", .145 tubing	46 lbs., 64, 78	90"	28"	2"
10013 to 10015	29" 2-Step Ladder with .065", .109", .145 tubing	30 lbs., 44, 56	59"	39"	2"
10016 to 10018	29" 3-Step Ladder with .065", .109", .145 tubing	36 lbs., 52, 64	85"	39"	2"
10019 to 10021	29" 4-Step Ladder with .065", .109", .145 tubing	42 lbs., 58, 72	85"	39"	2"
10022 to 10024	29" 5-Step Ladder with .065", .109", .145 tubing	48 lbs., 66, 80	85"	39"	2"
10025 to 10027	35" 2-Step Ladder with .065", .109", .145 tubing	34 lbs., 48, 62	59"	39"	2"
10028 to 10030	35" 3-Step Ladder with .065", .109", .145 tubing	38 lbs., 56, 70	76"	40"	2"
10031 to 10033	35" 4-Step Ladder with .065", .109", .145 tubing	44 lbs., 64, 78	76"	40"	2"
10034 to 10036	35" 5-Step Ladder with .065", .109", .145 tubing	50 lbs., 70, 86	76"	40"	2"

Item No.	Description	Shipping Wt.	L	W	H
10073 to 10075	23" 2-Step Cross Brace Ladder w/.065", .109, .145 tubing	36 lbs., 50, 66	61"	29"	2"
10076 to 10078	23" 3-Step Cross Brace Ladder w/.065", .109, .145 tubing	42 lbs., 58, 74	70"	28"	2"
10079 to 10081	23" 4-Step Cross Brace Ladder w/.065", .109, .145 tubing	46 lbs., 66, 82	82"	28"	2"
10082 to 10084	23" 5-Step Cross Brace Ladder w/.065", .109, .145 tubing	52 lbs., 72, 90	90"	28"	2"
10085 to 10087	29" 2-Step Cross Brace Ladder w/.065", .109, .145 tubing	38 lbs., 56, 70	59"	39"	2"
10088 to 10090	29" 3-Step Cross Brace Ladder w/.065", .109, .145 tubing	44 lbs., 64, 78	85"	39"	2"
10091 to 10093	29" 4-Step Cross Brace Ladder w/.065", .109, .145 tubing	50 lbs., 70, 86	85"	39"	2"
10094 to 10096	29" 5-Step Cross Brace Ladder w/.065", .109, .145 tubing	56 lbs., 78, 94	85"	39"	2"
10097 to 10099	35" 2-Step Cross Brace Ladder w/.065", .109, .145 tubing	42 lbs., 62, 78	59"	39"	2"
10100 to 10102	35" 3-Step Cross Brace Ladder w/.065", .109, .145 tubing	46 lbs., 70, 86	76"	40"	2"
10103 to 10105	35" 4-Step Cross Brace Ladder w/.065", .109, .145 tubing	52 lbs., 78, 94	76"	40"	2"
10106 to 10108	35" 5-Step Cross Brace Ladder w/.065", .109, .145 tubing	58 lbs., 84, 102	76"	40"	2"

Note: Frames extend 4 1/2" from the pool wall. Frame is secured to the pool deck with two anchor sockets on 20" centers. Lower end of frame is bent to meet pool wall and fitted with two white rubber bumpers.

Anchors and escutcheons sold separately. See pages 122-125 for details.

Standard Plus and Crossbrace Plus with Stainless Steel Treads

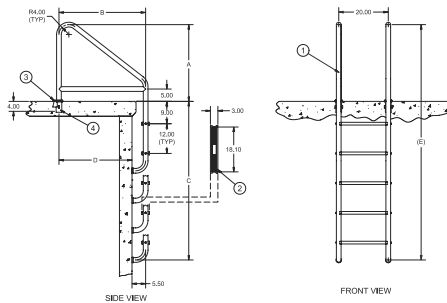


- Tubing: 1.90" OD or 1.50" OD
- Wall Thickness: .065", .109", or .145"
- Type: 304 stainless steel
- Bends: 4" radius
- Stainless steel, LTDF-103 tread

Item No.	Description	Shipping Wt.	L	W	H
10037 to 10039	23" 2-Step Ladder with .065", .109", .145 tubing	30 lbs., 42, 54	61"	29"	2"
10040 to 10042	23" 3-Step Ladder with .065", .109", .145 tubing	36 lbs., 50, 62	70"	28"	2"
10043 to 10045	23" 4-Step Ladder with .065", .109", .145 tubing	40 lbs., 58, 70	82"	28"	2"
10046 to 10048	23" 5-Step Ladder with .065", .109", .145 tubing	46 lbs., 64, 78	90"	28"	2"
10049 to 10051	29" 2-Step Ladder with .065", .109", .145 tubing	30 lbs., 44, 56	59"	39"	2"
10052 to 10054	29" 3-Step Ladder with .065", .109", .145 tubing	36 lbs., 52, 64	85"	39"	2"
10055 to 10057	29" 4-Step Ladder with .065", .109", .145 tubing	42 lbs., 58, 72	85"	39"	2"
10058 to 10060	29" 5-Step Ladder with .065", .109", .145 tubing	48 lbs., 66, 80	85"	39"	2"
10061 to 10063	35" 2-Step Ladder with .065", .109", .145 tubing	34 lbs., 48, 62	59"	39"	2"
10064 to 10066	35" 3-Step Ladder with .065", .109", .145 tubing	38 lbs., 56, 70	76"	40"	2"
10067 to 10069	35" 4-Step Ladder with .065", .109", .145 tubing	44 lbs., 64, 78	76"	40"	2"
10070 to 10072	35" 5-Step Ladder with .065", .109", .145 tubing	50 lbs., 70, 86	76"	40"	2"



Item No.	Description	Shipping Wt.	L	W	H
10109 to 10111	23" 2-Step Cross Brace Ladder w/.065", .109, .145 tubing	36 lbs., 50, 66	61"	29"	2"
10112 to 10114	23" 3-Step Cross Brace Ladder w/.065", .109, .145 tubing	42 lbs., 58, 74	70"	28"	2"
10115 to 10117	23" 4-Step Cross Brace Ladder w/.065", .109, .145 tubing	46 lbs., 66, 82	82"	28"	2"
10118 to 10120	23" 5-Step Cross Brace Ladder w/.065", .109, .145 tubing	52 lbs., 72, 90	90"	28"	2"
10121 to 10123	29" 2-Step Cross Brace Ladder w/.065", .109, .145 tubing	38 lbs., 56, 70	59"	39"	2"
10124 to 10126	29" 3-Step Cross Brace Ladder w/.065", .109, .145 tubing	44 lbs., 64, 78	85"	39"	2"
10127 to 10129	29" 4-Step Cross Brace Ladder w/.065", .109, .145 tubing	50 lbs., 70, 86	85"	39"	2"
10130 to 10132	29" 5-Step Cross Brace Ladder w/.065", .109, .145 tubing	56 lbs., 78, 94	85"	39"	2"
10133 to 10135	35" 2-Step Cross Brace Ladder w/.065", .109, .145 tubing	42 lbs., 62, 78	59"	39"	2"
10136 to 10138	35" 3-Step Cross Brace Ladder w/.065", .109, .145 tubing	46 lbs., 70, 86	76"	40"	2"
10139 to 10141	35" 4-Step Cross Brace Ladder w/.065", .109, .145 tubing	52 lbs., 78, 94	76"	40"	2"
10142 to 10144	35" 5-Step Cross Brace Ladder w/.065", .109, .145 tubing	58 lbs., 84, 102	76"	40"	2"



Note: Frames extend 4 1/2" from the pool wall. Frame is secured to the pool deck with two anchor sockets on 20" centers. Lower end of frame is bent to meet pool wall and fitted with two white rubber bumpers

See www.srsmith.com/dimensions for detailed dimensions



Custom Rails

Custom Rails – Any size or shape

Wall Thickness	304 Stainless Steel	316L Stainless Steel
.049"	1.625" OD and 1.90" OD	1.625" OD and 1.90" OD
.065"	1.50" OD, 1.625" OD & 1.90" OD	1.50" OD 1.625" OD & 1.90" OD
.109"	1.90" OD	1.50" OD & 1.90" OD
.120"	1.50" OD	1.50" OD
.145"	1.90" OD	1.90" OD

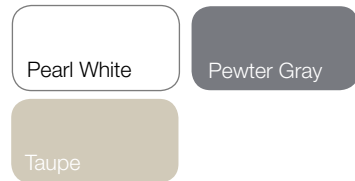
Powder Coating

- Protects against corrosion and chemicals in indoor facilities.
- Highest quality finish—scratch and high impact resistant.
- Protects against UV rays in outdoor applications.
- Easy to clean, low maintenance.



SealedSteel Vinyl Coating

- Virtually eliminates corrosion in extreme pool environments
- Stays cool to the touch—even in extreme temperatures
- WetTraction grip offers increased traction when wet



Actual product colors may vary



Two Bend

Three Bend

Hand & Stair Rails

2-Bend & 3-Bend

- Tubing: 1.90" OD
- Wall Thickness: .049", .065"
- Type: 304, 316L* stainless steel
- Bends: 6" Radius
- Powder Coating Available

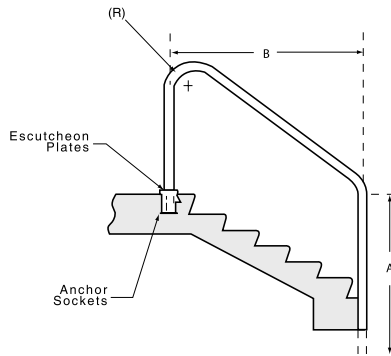
2-Bend

Model #	Description	A	B	Shipping Wt.	L	W	H
2HR-4	4' 2-BEND	30"	4'-0"	15 lbs.	70"	37"	2"
2HR-5	5' 2-BEND	30"	5'-0"	25 lbs.	82"	37"	2"
2HR-6	6' 2-BEND	30"	6'-0"	27 lbs.	97"	37"	2"

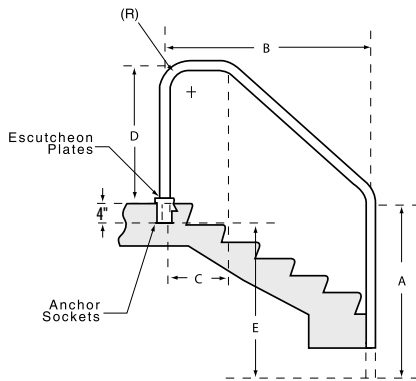
*Marine Grade, add -MG to part number when ordering. REQUIRED for Salt Pools.

Note: Anchor sockets and escutcheons are not included. See pages 122-125 for details. Add -1 to part number for extended length on pool (front) leg. Add -2 to part number for extended length on both legs. Add -3 to part number for extended length on deck (back) leg. Add -049 for .049", -065 for .065" wall thickness. Example: 2HR-5-049 5' 2-bend rail, .049 wall. For powder coated add -RG for Rock Gray, -SG for Silver Gray, -PW for White, or -TP for Taupe to the part number when ordering. For SealedSteel add -VW for White, -VG for Pewter Gray, or -VT for Taupe to the part number when ordering.

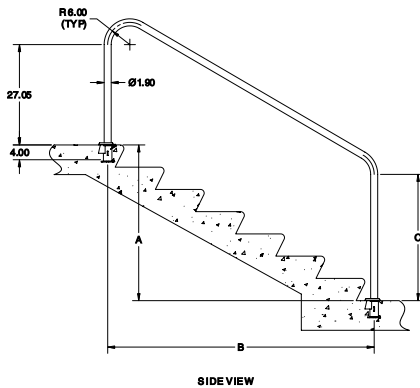
Two Bend



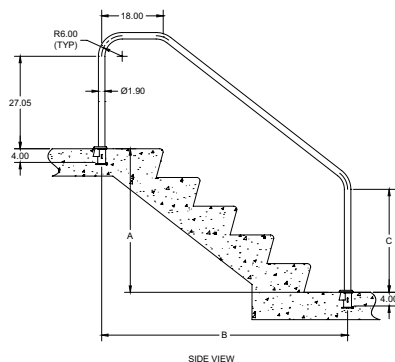
Three Bend



Heavy Duty Two Bend



Heavy Duty Three Bend



3-Bend

Model #	Description	A	B	C	D	E	Shipping Wt.	L	W	H
3HR-4	4' 3-BEND	26"	4'-0"	18"	32"	26"	17 lbs.	60"	42"	2"
3HR-5	5' 3-BEND	26"	5'-0"	18"	32"	36"	22 lbs.	72"	42"	2"
3HR-5.5	5'6" 3-BEND	29"	5'-6"	18"	32"	32"	25 lbs.	78"	42"	2"
3HR-6	6' 3-BEND	26"	6'-0"	18"	32"	46"	27 lbs.	84"	42"	2"
3HR-6.5	6'6" 3-BEND	29"	6'-6"	35"	34"	32"	30 lbs.	90"	42"	2"
3HR-7	7' 3-BEND	29"	7'-0"	40"	30"	36"	32 lbs.	94"	42"	2"
3HR-8	8' 3-BEND	33"	8'-0"	53"	34"	30"	37 lbs.	105"	42"	2"

*Marine Grade, add -MG to part number when ordering. REQUIRED for Salt Pools.

Note: Anchor sockets and escutcheons are not included. See pages 122-125 for details. Add -1 to part number for extended length on pool (front) leg. Add -2 to part number for extended length on both legs. Add -3 to part number for extended length on deck (back) leg. Add -.049 for .049", -.065 for .065" wall thickness. Example: 2HR-5-049 5' 2-bend rail, .049 wall. For powder coated add -RG for Rock Gray, -SG for Silver Gray, -PW for White, or -TP for Taupe to the part number when ordering. For SealedSteel add -VW for White, -VG for Pewter Gray, or -VT for Taupe to the part number when ordering.

Heavy Duty Hand Rails

- Tubing: 1.90" OD or 1.50" OD
- Wall Thickness: .065", .109", or .145"
- Type: 304 stainless steel

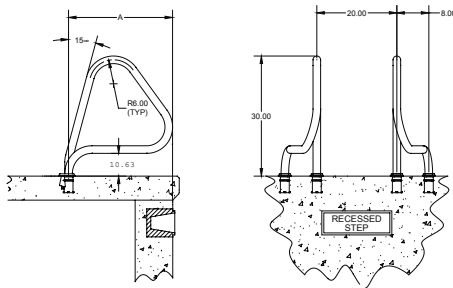
Item No.	Description	Shipping Wt.	L	W	H
10145	4 foot 2-bend, .065" wall, 1.90" OD	14 lbs.	70"	37"	2"
10146	4 foot 2-bend, .109" wall, 1.90" OD	23 lbs.	70"	37"	2"
12047	4 foot 2-bend, .120" wall, 1.50" OD	17 lbs.	70"	37"	2"
10147	4 foot 2-bend, .145" wall, 1.90" OD	30 lbs.	70"	37"	2"
10148	5 foot 2-bend, .065" wall, 1.90" OD	16 lbs.	82"	37"	2"
10149	5 foot 2-bend, .109" wall, 1.90" OD	25 lbs.	82"	37"	2"
12048	5 foot 2-bend, .120" wall, 1.50" OD	18 lbs.	82"	37"	2"
10150	5 foot 2-bend, .145" wall, 1.90" OD	33 lbs.	82"	37"	2"
10151	6 foot 2-bend, .065" wall, 1.90" OD	17 lbs.	106"	37"	2"
10152	6 foot 2-bend, .109" wall, 1.90" OD	28 lbs.	106"	37"	2"
12049	6 Foot 2-bend, .120" wall, 1.50" OD	20 lbs.	106"	37"	2"
10153	6 foot 2-Bend, .145" wall, 1.90" OD	36 lbs.	106"	37"	2"
10154	4 foot 3-bend, .065" wall, 1.90" OD	14 lbs.	60"	42"	2"
10155	4 foot 3-bend, .109" wall, 1.90" OD	23 lbs.	60"	42"	2"
10156	4 foot 3-bend, .145" wall, 1.90" OD	30 lbs.	60"	42"	2"
12050	4 foot 3-bend, .120" wall, 1.50" OD	17 lbs.	60"	42"	2"
10157	5 foot 3-bend, .065" wall, 1.90" OD	16 lbs.	72"	42"	2"
10158	5 foot 3-bend, .109" wall, 1.90" OD	25 lbs.	72"	42"	2"
12051	5 foot 3-bend, .120" wall, 1.50" OD	18 lbs.	72"	42"	2"
10159	5 foot 3-bend, .145" wall, 1.90" OD	33 lbs.	72"	42"	2"
10160	6 foot 3-bend, .065" wall, 1.90" OD	17 lbs.	84"	42"	2"
10161	6 foot 3-bend, .109" wall, 1.90" OD	28 lbs.	84"	42"	2"
12052	6 foot 3-bend, .120" wall, 1.50" OD	20 lbs.	84"	42"	2"
10162	6 foot 3-bend, .145" wall, 1.90" OD	36 lbs.	84"	42"	2"

California Pacific Pretzel



- Tubing: 1.90" OD or 1.50" OD
- Wall Thickness: .109", or .145"
- Type: 304 stainless steel
- Sold as pairs

Model No.	Description	A	Shipping Wt.	L	W	H
10175	.109" wall, 1.90" OD	26"	34 lbs.	30"	34"	22"
10176	.145" wall, 1.90" OD	26"	46 lbs.	30"	34"	22"
10177	.109" wall, 1.90" OD	30"	38 lbs.	30"	36"	22"
10178	.145" wall, 1.90" OD	30"	48 lbs.	30"	36"	22"
12057	.120" wall, 1.50" OD	26"	34 lbs.	30"	34"	22"
12058	.120" wall, 1.50" OD	30"	38 lbs.	30"	36"	22"



Commercial Ring

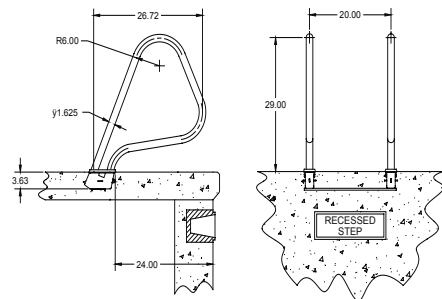
- Tubing: 1.625" OD
- Wall Thickness: .065"
- Type: 304 stainless steel
- Sold as pairs



Model No.	Description	Shipping Wt.	L	W	H
CRH-100	Rails Only	14 lbs.	40"	32"	4"
CRH-100A	Rails with Aluminum Anchor	16 lbs. (2 boxes)	32" 24"	22" 8"	4" 5"
CRH-100B	Rails with Bronze Anchor	18 lbs. (2 boxes)	32" 24"	22" 8"	4" 5"

Components

34-305A	Aluminum Anchor, Complete	10 lbs.	24"	8"	5"
34-306A	Bronze Anchor, Complete	13 lbs.	24"	8"	5"
8-415A	Gibraltar Wedge Retro Fit Kit	1 lb.	6"	3"	1"
8-420	Double Escutcheon Plate	1 lb.	6"	3"	1"
8-420-CP	Double Escutcheon Plate, Chrome	1 lb.	6"	3"	1"



Anchors and escutcheons sold separately. See pages 122-125 for details.

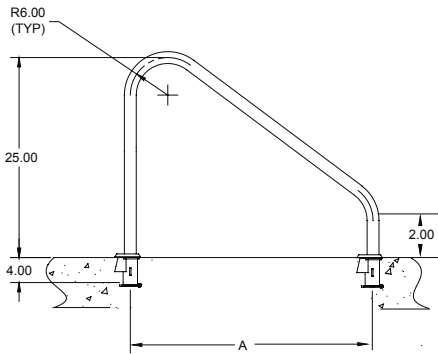


Deck Mounted Stair Rails

- Tubing: 1.90" OD
- Wall Thickness: .049"
- Type: 304, 316L* stainless steel
- Bends: 6" radius
- Sold as pairs

Model No.	A	Shipping Wt.	L	W	H
50-901	30"	18 lbs.	40"	32.5"	4"
50-770	32"	18 lbs.	40"	32"	4"
50-902	36"	15 lbs.	40"	62.5"	4"
50-766	40"	18 lbs.	40"	32"	4"
50-903	42"	18 lbs.	59"	39"	2"

*Marine Grade, add -MG to part number when ordering. REQUIRED for Salt Pools.
 NOTE: Anchor sockets and escutcheons are not included. See pages 122-125 for details



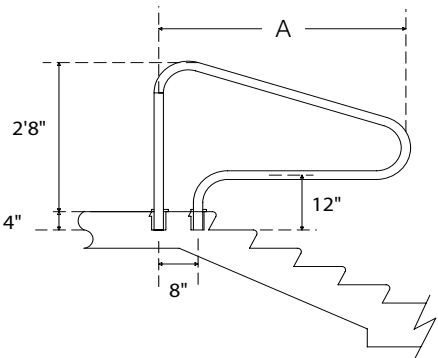
Hand & Stair Rails

DMS-100

- Tubing: 1.90" OD
- Wall Thickness: .049", .065"
- Type: 304, 316L* stainless steel
- Bends: All 6" Radius
- DMS-100A available in Powder Coating and SealedSteel

Model #	Description	A	Shipping Wt.	L	W	H
DMS-100A	48" Center Grab Rail, .049"	51"	13 lbs. — 17lbs.	59"	39"	2"
DMS-100B	48" Center Grab Rail, .065"	51"	13 lbs. — 17lbs.	59"	39"	2"
DMS-100S	60" Center Grab Rail, .065"	60"	18 lbs.	59"	39"	2"

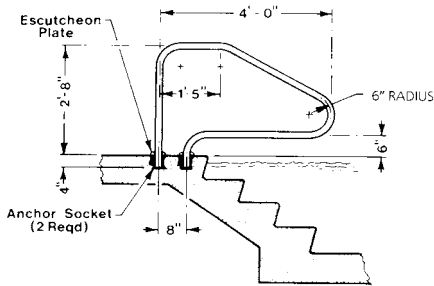
*Marine Grade, add -MG to part number when ordering. REQUIRED for Salt Pools.
 Escutcheons are included when this rail is ordered in powder coating or SealedSteel.
 For powder coated add -RG for Rock Gray, -SG for Silver Gray, -PW for White, or -TP for Taupe to the part number when ordering.
 For SealedSteel add -VW for White, -VG for Pewter Gray, or -VT for Taupe to the part number when ordering.



Hand & Stair Rails

DMS-101

- Tubing: 1.90" OD
- Wall Thickness: .049", .065"
- Type: 304, 316L* stainless steel
- Bends: All 6" Radius
- DMS-101A available in Powder Coating and SealedSteel



Model #	Description	Shipping Wt.	L	W	H
DMS-101A	48" Center Grab Rail, .049	13 lbs. — 16 lbs.	59"	39"	2"
DMS-101B	48" Center Grab Rail, .065	13 lbs. — 16 lbs.	59"	39"	2"

*Marine Grade, add -MG to part number when ordering. REQUIRED for Salt Pools.

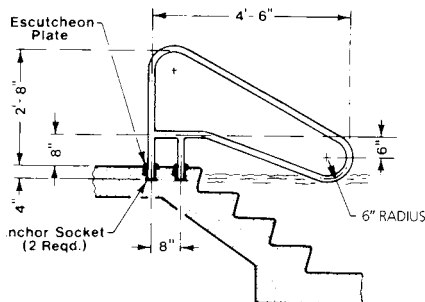
Escutcheons are included when this rail is ordered in powder coating or SealedSteel.

For powder coated add -RG for Rock Gray, -SG for Silver Gray, -PW for White, or -TP for Taupe to the part number when ordering.

For SealedSteel add -VW for White, -VG for Pewter Gray, or -VT for Taupe to the part number when ordering.

DMS-102

- Tubing: 1.90" OD
- Wall Thickness: .049", .065"
- Type: 304, 316L* stainless steel
- Bends: All 6" Radius
- DMS-102A available in Powder Coating and SealedSteel



Model #	Description	Shipping Wt.	L	W	H
DMS-102A	54" Center Grab Rail, .049"	15 lbs. — 19 lbs.	59"	39"	2"
DMS-102B	54" Center Grab Rail, .065"	15 lbs. — 19 lbs.	59"	39"	2"
DMS-102P	54" Center Grab Rail, .065" w/welded mounting plate	15 lbs. — 19 lbs.	59"	39"	2"

*Marine Grade, add -MG to part number when ordering. REQUIRED for Salt Pools.

Escutcheons are included when this rail is ordered in powder coating or SealedSteel.

For powder coated add -RG for Rock Gray, -SG for Silver Gray, -PW for White, or -TP for Taupe to the part number when ordering.

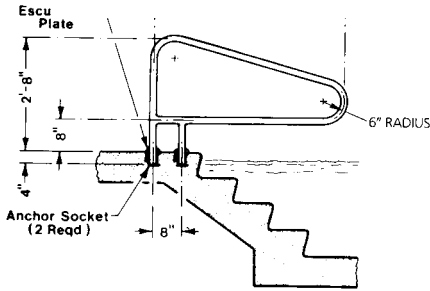
For SealedSteel add -VW for White, -VG for Pewter Gray, or -VT for Taupe to the part number when ordering.

Anchors and escutcheons sold separately. See pages 122-125 for details.



DMS-103

- Tubing: 1.90" OD
- Wall Thickness: .049", .065"
- Type: 304, 316L* stainless steel
- Bends: All 6" Radius
- DMS-103A available in SealedSteel



Model #	Description	Shipping Wt.	L	W	H
DMS-103A	54" Center Grab Rail, .049"	14 lbs. — 18 lbs.	59"	39"	2"
DMS-103B	54" Center Grab Rail, .065"	14 lbs. — 18 lbs.	59"	39"	2"

*Marine Grade, add -MG to part number when ordering. REQUIRED for Salt Pools.

Escutcheons are included when this rail is ordered in SealedSteel.

For SealedSteel add -VW for White, -VG for Pewter Gray, or -VT for Taupe to the part number when ordering.

Exercise, Training & Therapeutic Bars

Commercial

TR-100B



TR-101B



TR-101A



TR-100A



- Tubing: 1.90" OD (1.50" OD is also available)
- Wall Thickness: .065"
- Type: 304, 316L* stainless steel
- Extend approximately 4" from the pool wall
- Available in 48" and 88" lengths, with or without flanges

Model No.	Description	Shipping Wt.	L	W	H
TR-100A	48" with flanges and mounting hardware	6 lbs.	49"	6"	5"
TR-101A	88" with flanges and mounting hardware	8 lbs.	89"	5"	5"
TR-100B	48" bar with mounting posts	12 lbs.	49"	6"	5"
TR-101B	88" bar with mounting posts	14 lbs.	89"	9"	2"

*Marine Grade, add -MG to part number when ordering. REQUIRED for Salt Pools.

Flanges include the mounting hardware

Exercise, Training & Therapeutic Bars

Residential



EB-102A
EB-101A
EB-100A
EB-099A



EB-102B
EB-101B
EB-100B
EB-099B

- Tubing: 1.90" OD
- Wall Thickness: .049"
- Type: 304 stainless steel
- Extend approximately 6" from the pool wall
- Available in 2', 3', 4', and 5' lengths, with or without flanges

Model No.	Description	Shipping Wt.	L	W	H
EB-099A	2' Exercise Bar, w/flanges	6 lbs.	29"	8"	4"
EB-099B	2' Exercise Bar, no flanges	6 lbs.	29"	8"	4"
EB-100A	3' Exercise Bar, w/flanges	7 lbs.	38"	12"	3"
EB-100B	3' Exercise Bar, no flanges	7 lbs.	38"	12"	3"
EB-101A	4' Exercise Bar, w/flanges	8 lbs.	52"	8"	4"
EB-101B	4' Exercise Bar, no flanges	8 lbs.	52"	8"	4"
EB-102A	5' Exercise Bar, w/flanges	9 lbs.	68"	8"	4"
EB-102B	5' Exercise Bar, no flanges	9 lbs.	68"	8"	4"
60-718	Flange Anchor Stud Assembly (3/8"x 21/4")	1 lb.	3"	3"	4"

Flanges include the mounting hardware

Figure 4

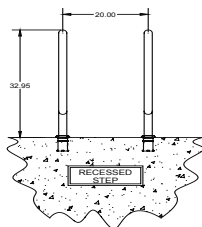
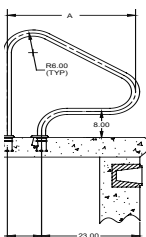
- Tubing: 1.90" OD and 1.50" OD
- Wall Thickness: .049", .065", .109", and .145"
- Type: 304, 316L* stainless steel
- Bends: All 6" Radius
- F4H-102 is available in Powder Coating and SealedSteel, F4H-101 is available in powder coating

Model No.	Description	A	Shipping Wt.	L	W	H
F4H-100	Figure 4 Hand Rail .065 Wall Thickness	30"	24 lbs.	39"	32"	4"
F4H-101	Figure 4 Hand Rail .049 Wall Thickness	30"	19 lbs.	39"	32"	4"
F4H-102	Figure 4 Hand Rail	26"	18 lbs.	39"	32"	4"
12053	Figure 4 Handrail, 1.50" O.D. .120" wall	30"	24 lbs.	39"	32"	4"
10180	Figure 4 Handrail, 1.90" O.D. x .109" wall	30"	38 lbs.	39"	32"	4"
10181	Figure 4 Handrail, 1.90" O.D. x .145" wall	30"	48 lbs.	39"	32"	4"

NOTES:

Also available with adjustable front leg. For powder coated add -RG for Rock Gray, -SG for Silver Gray, -PW for White, or -TP for Taupe to the part number when ordering. For SealedSteel add -VW for White, -VG for Pewter Gray, or -VT for Taupe to the part number when ordering.

Marine Grade, add -MG to part number when ordering. REQUIRED for salt pools



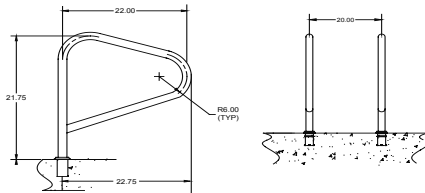
Anchors and escutcheons sold separately. See pages 122-125 for details.

P Rails



- Tubing: 1.625" OD
- Wall Thickness: .049"
- Type: 304, 316L* stainless steel
- Bends: 6" radius

Part Number	Description	Shipping Wt.	L	W	H
PR3-100A	Rail set w/Anchor Assembly	16 lbs.	32"	22"	4"
PR3-100B	Rail set only	13 lbs.	32"	22"	4"
PR3-101	Anchor Assembly	3 lbs.	32"	22"	4"



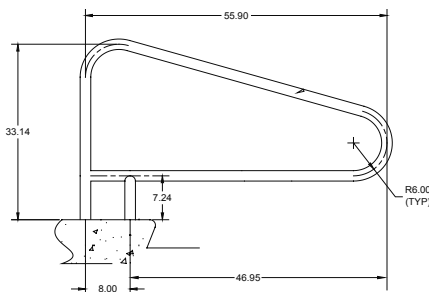
*Marine Grade, add -MG to part number when ordering. REQUIRED for Salt Pools.
NOTE: Anchor sockets and escutcheons are not included. See pages 122-125 for details



PR 500

- Tubing: 1.90" OD
- Wall Thickness: .049"
- Type: 304 stainless steel
- Bends: 6" radius
- Deck mounted rail, no anchor required
- The legs of the rail are surface welded to a mounting plate that has been drilled for 3/8" bolts (not included)

Part Number	Shipping Wt.	L	W	H
PR-500	18 lbs.	32"	22"	4"

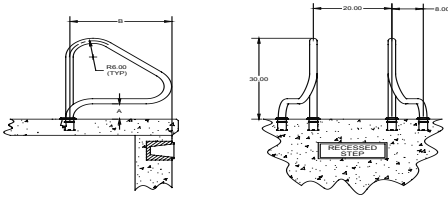


Pretzel



- Tubing: 1.90" OD or 1.50" OD
- Wall Thickness: .109", .145"
- Type: 304 stainless steel
- Sold as pairs

Model No.	Description	A	B	Shipping Wt.	L	W	H
10169	.109" wall, 1.90" OD	8.5"	17"	32 lbs.	32"	22"	20"
10170	.145" wall, 1.90" OD	8.5"	17"	40 lbs.	32"	22"	20"
10171	.109" wall, 1.90" OD	10.63"	26"	36 lbs.	34"	28"	22"
10172	.145" wall, 1.90" OD	10.63"	26"	46 lbs.	34"	28"	22"
10173	.109" wall, 1.90" OD	10.63"	30"	38 lbs.	36"	32"	22"
10174	.145" wall, 1.90" OD	10.63"	30"	50 lbs.	36"	32"	22"
12054	.120" wall, 1.50" OD	8.5"	17"	32 lbs.	32"	22"	20"
12055	.120" wall, 1.50" OD	10.63"	26"	36 lbs.	34"	28"	22"
12056	.120" wall, 1.50" OD	10.63"	30"	38 lbs.	36"	32"	22"



Residential Ring



- Tubing: 1.625" OD
- Wall Thickness: .049"
- Type: 304, 316L* stainless steel
- Powder Coating available, escutcheons not included

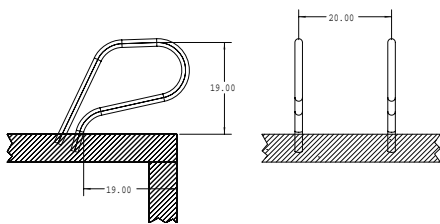
Model #	Description	Shipping Wt.	L	W	H
RRH-100A	Pair of Rails with aluminum anchor	16 lbs. (2 boxes)	32"	22"	4"
			24"	8"	5"
RRH-100B	Pair of Rails with bronze anchor	18 lbs. (2 boxes)	32"	22"	4"
			24"	8"	5"

Components

34-305A	Aluminum Anchor, Complete	10 lbs.	24"	8"	5"
34-306A	Bronze Anchor, Complete	13 lbs.	24"	8"	5"
8-415A	Gibraltar Wedge Retro Fit Kit	1 lb.	6"	3"	1"
8-420	Double Escutcheon Plate	1 lb.	6"	3"	1"
8-420-CP	Double Escutcheon Plate, Chrome	1 lb.	6"	3"	1"

*Marine Grade, add - MG to part number when ordering. REQUIRED for Salt Pools.

For powder coated add -RG for Rock Gray, -SG for Silver Gray, -PW for White, or -TP for Taupe to the part number when ordering.



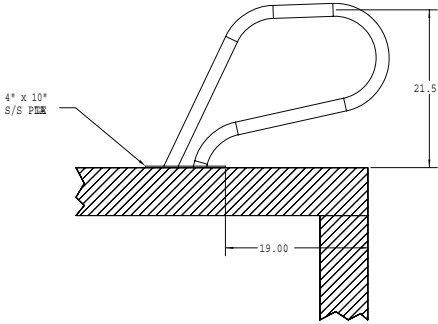
Spa Rail



- Tubing: 1.625" OD
- Wall Thickness: .049"
- Type: 304, 316L* stainless steel
- Bends: 6" radius
- Includes a 4" by 10" stainless steel plate drilled for 3/8" bolts, not included

Part Number	Shipping Wt.	L	W	H
SR-100	8.5 lbs.	32"	22"	4"

*Marine Grade, add -MG to part number when ordering. REQUIRED for Salt Pools.



SealedSteel™

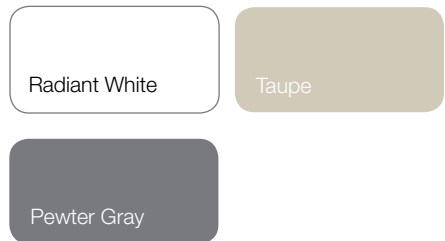
The #1 Choice for use in salt chlorinator pools!

S.R.Smith's new SealedSteel™ Rail line features the same high-quality steel rails you trust, fully encapsulated in our patent-pending StressLess™ finish (chemically-bonded polymeric coating.)

- Eliminates corrosion in extreme pool environments
- Stays cool to the touch — even in extreme temperatures
- WetTraction™ grip offers increased traction when wet. No more slippery rails – increasing pool safety



Model	Description	Shipping Wt.	L	W	H
DMS-100A	Deck Mounted Stair Rails	13 lbs.	59"	39"	2"
DMS-101A	Deck Mounted Stair Rails	13 lbs.	59"	39"	2"
DMS-102A	Deck Mounted Stair Rails (.049" Wall)	15 lbs.	59"	39"	2"
DMS-103A	Deck Mounted Stair Rails (.049" Wall)	14 lbs.	59"	39"	2"
F4H-102	Figure 4 Hand Rail (.049" Wall) –pair	16 lbs.	39"	32"	4"
VLLS-103E	3-Step Ladder	25 lbs.	61"	29"	2"
3HR	3-Bend Handrails				



NOTE: Add -VW for White, -VG for Pewter Gray, -VT for Taupe
Part numbers include matching escutcheons

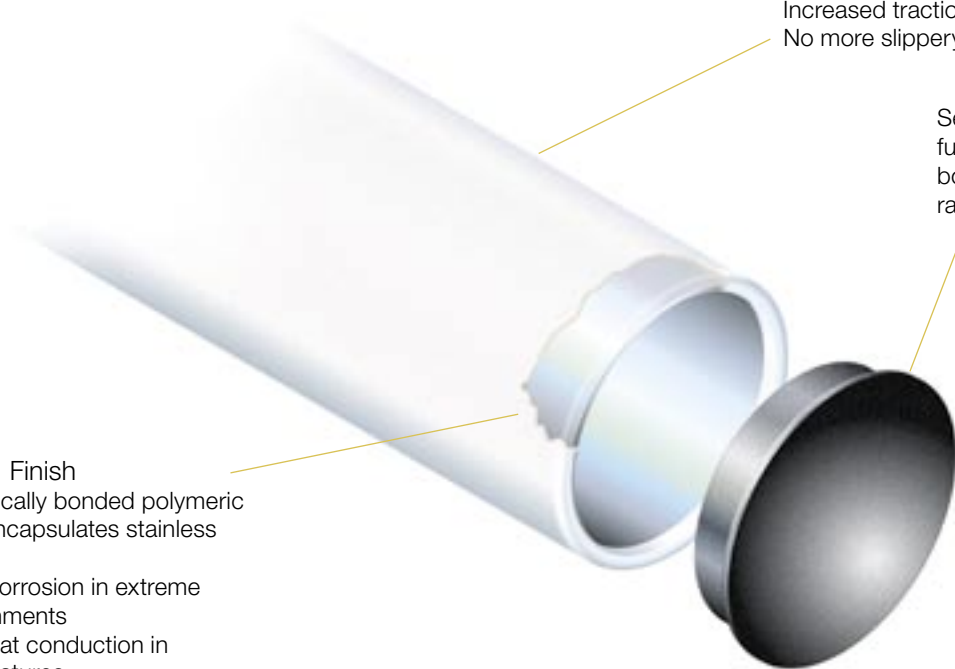
WetTraction™ Grip
Increased traction when wet
No more slippery rails!

Sealing Cap creates
full encapsulation – No
bonding required on
rails. (shown pulled off)

StressLess™ Finish

Unique, chemically bonded polymeric coating fully encapsulates stainless steel tubing.

- Eliminates corrosion in extreme pool environments
- Reduces heat conduction in high temperatures
- Easy-to-clean with off-the-shelf cleaners

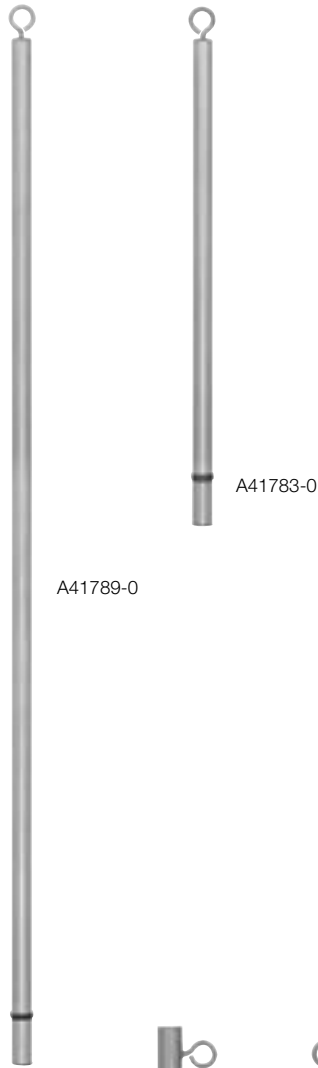


Stanchions

Backstroke and Recall Stanchions

- 4'6" or 8' heights
- Tubing: 1.9" OD
- Wall Thickness: .065", .109", .145"
- Type: 304 stainless steel

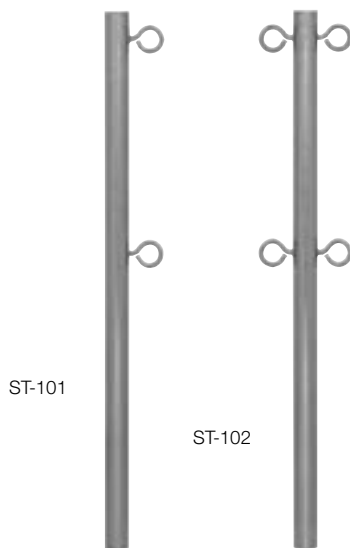
Model No.	Description	Shipping Wt.	L	W	H
10163	4'6" with .065" wall	7 lbs.	55"	3"	3"
10164	4'6" with .109" wall	11 lbs.	55"	3"	3"
10165	4'6" with .145" wall	14 lbs.	55"	3"	3"
10166	8' with .065" wall	12 lbs.	97"	3"	3"
10167	8' with .109" wall	18 lbs.	97"	3"	3"
10168	8' with .145" wall	23 lbs.	97"	3"	3"



Line and Crowd Control Stanchions

- 3' or 7' heights
- Tubing: 1.625" or 1.90" OD
- Wall Thickness: .065"
- Type: 304 stainless steel

Model No.	Description	Shipping Wt.	L	W	H
ST-100	3' 1.90" OD Stanchion with 1 eyebolt	6 lbs.	40"	2"	2"
ST-101	3' 1.90" OD Stanchion with 2 eyebolts	6.5 lbs.	40"	2"	2"
ST-102	3' 1.90" OD Stanchion with 4 eyebolts	7 lbs.	40"	2"	2"
A41783-0	3' 1.625" OD Stanchion with 1 eyebolt anchor, plug	6 lbs.	3"	2"	2"
A41789-0	7' 1.625" OD Stanchion with 1 eyebolt anchor, plug	11 lbs.	7"	2"	2"
A40698-0	One anchor and plug only	2 lbs.	10"	6"	2"
35-102	Sliding Collar for 1.90" OD	2 lbs.	6"	6"	3"



Anchors and escutcheons sold separately. See pages 122-125 for details.



Lifeguard Chairs

Lifeguard chairs are a very important, and necessary, piece of safety equipment for a commercial pool. There are several factors that influence what type and size of lifeguard chair you purchase. The needs of a small hotel pool might be very different from a large, municipal pool. Here are a few things to think about when selecting a lifeguard chair.

Deck Space

If you are short on deck space, permanent lifeguard chairs are great space savers and are ideal for general use. While most permanent lifeguard chairs feature ladders on the back, we also offer a model with the ladder on the side for situations that do not permit the lifeguard to mount from the back of the chair.

If you have a multi-use facility that requires you to have continually changing lifeguard stations, portable lifeguard chairs are easily moved by one person to the desired area of the pool. These lifeguard chairs are extremely versatile and ideal for water parks, hotels, resorts, athletic clubs and community pools.

Height

There are varying heights of lifeguard chairs, from our 30" Low Profile to our 8' Vista. Consult your inspector for local codes and guidelines to determine what is appropriate for your situation.

Safety Built In

All of our lifeguard chairs feature wide steps or treads and extra-large, sand treaded footboards so lifeguards have plenty of space to stand or sit while on duty.

Compliance

The Occupational Health and Safety Administration (OSHA) has outlined minimum requirements for lifeguard chairs in public pools. To comply with OSHA, a lifeguard chair must have rails to protect against falls and sufficient room for the lifeguard to ascend and descend from the chair.

Easy to Specify

Our lifeguard chairs are easy to add to your proposal, with complete written and drawn specifications by our engineers. Up-to-date specifications and AutoCAD files can be downloaded directly from our website – no waiting for an email response or a CD in the mail!

Cantilever – CAT-LG 101



- Permanent unit features a slim design that requires minimal deck space
- 6' tall at the seat
- Extended-size, acrylic observation platform features a non-slip sanded tread available in a variety of colors
- Seat swivels 360° for a full view of your facility at all angles
- Steel base is primed and ready for a paint topcoat

Item No.	Description	Shipping Wt.	L	W	H	
COMPLETE						
CAT-LG-101	6' Cantilever	(3 boxes)	315 lbs.	65"	21"	25.5"
				25"	20"	10"
				24"	22"	21"
COMPONENTS						
13-101	Support Column	167 lbs.	65"	25"	21"	
8-602	Footboard	29 lbs.	25"	24"	3"	
13-124	Seat Assembly	16 lbs.	25"	20"	9"	
13-104	Handrails	14 lbs.	46"	17.5"	2.5"	
13-103	Base Anchor Assembly	46 lbs.	25.5"	13"	12.5"	
13-119	Seat with Swivel	15 lbs.	24"	22"	21"	
1-CAT-LG-101A Base Anchor Assembly, Handrails, Swivel Stand and Hardware						

Footboard Color

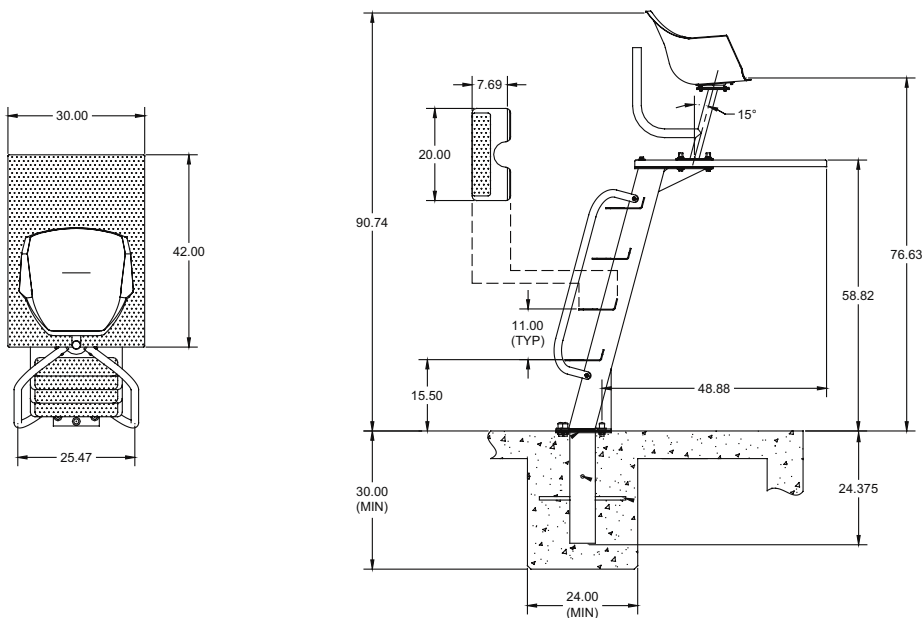
Radiant White

Tread Color

Radiant White

Custom colors available

NOTES: The Cantilever Lifeguard Chair comes primed only. We recommend a high quality acrylic urethane enamel for a durable finish.



A40703-0 Swivel

Guardian – UMLS-101



- Permanent unit features a slim design that requires minimal deck space
- 6' tall at the seat
- Extended-size, acrylic observation platform features a non-slip sanded tread available in a variety of colors
- Seat swivels 360° for a full view of your facility at all angles
- Stainless steel base for added corrosion resistance

Item No.	Description	Shipping Wt.	L	W	H
COMPLETE					
UMLS-101	6' Guardian	135 lbs.	100"	40"	28"
COMPONENTS					
13-111	Seat with Swivel	11 lbs.	26"	20"	11"
13-109	Swivel Stand with Umbrella Support	16 lbs.	25"	20"	9"
8-706	Footboard	29 lbs.	44"	19"	3"
S2470-102	1 Tread with Hardware	2 lbs.	28"	17"	5"
13-116	Lower Column Assembly	15 lbs.	53"	8"	8"
S2823-17	Uni-Mount Jig Assembly	12 lbs.	40"	32.5"	4"

Footboard Color

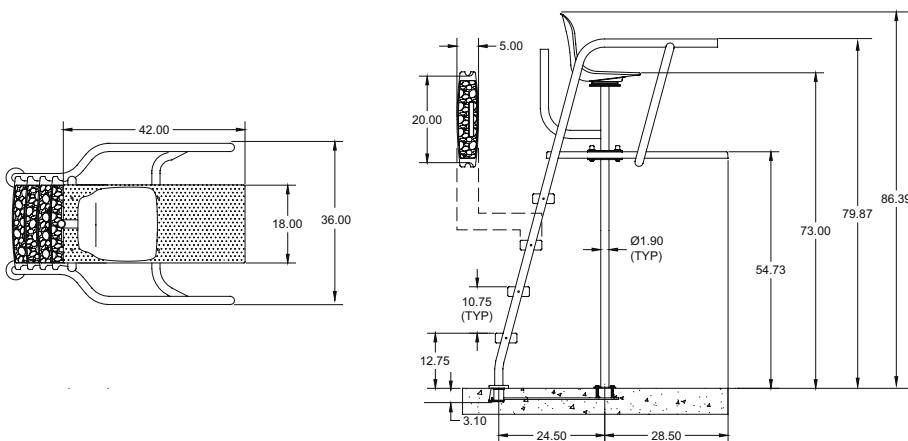
Radiant White

Tread Color

Radiant White

Custom colors available

NOTES: Available in both 304 polished stainless steel or optional 316L



A40703-0 Swivel

800.824.4387

Institutional – ILGS 205



- Permanent unit also makes an ideal coaching or judging stand.
- 6' tall at the seat.
- Extended-size observation platform features a non-slip sanded tread for maximum lifeguard safety.
- Seat swivels 360° so you can quickly scan all angles of your facility
- Stainless steel base for added durability and corrosion resistance.

Item No.	Description	Shipping Wt.	L	W	H
COMPLETE					
ILGS-205	6' Institutional	(3 boxes) 150 lbs.	84" 25" 24"	25" 20" 20"	8" 11" 11"
COMPONENTS					
13-111	Seat with Swivel	11 lbs.	24"	20"	11"
13-109	Swivel Stand with Umbrella Support	16 lbs.	25"	20"	9"
8-720	Footboard	29 lbs.	44"	19.5"	3"
LDTF-103	Tread	1 lb.	20"	13"	2"
1-ILGS-205A	Seat, Swivel, and Umbrella Support Stand				

Footboard Color

Radiant White

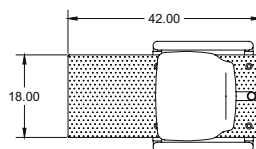
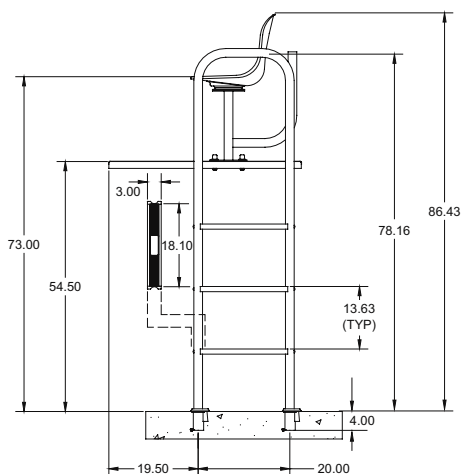
Tread Color

Radiant White

NOTES:

Available in both 304 polished stainless steel or optional 316L

Anchor Sockets and Escutcheons are ordered separately



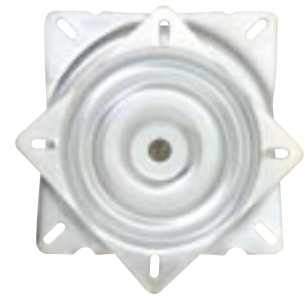
A40703-0 Swivel

Low Profile – LPLS 330/342



- Portable units are easy to move to allow you the flexibility to move your lifeguard stations as needed
- Available in 30" or 42" seat heights
- Seat swivels 360-degrees for a full view of your facility from all angles
- Durable acrylic footboards feature a non-slip sanded tread in a variety of colors to match your facility
- Stainless steel base for added corrosion resistance

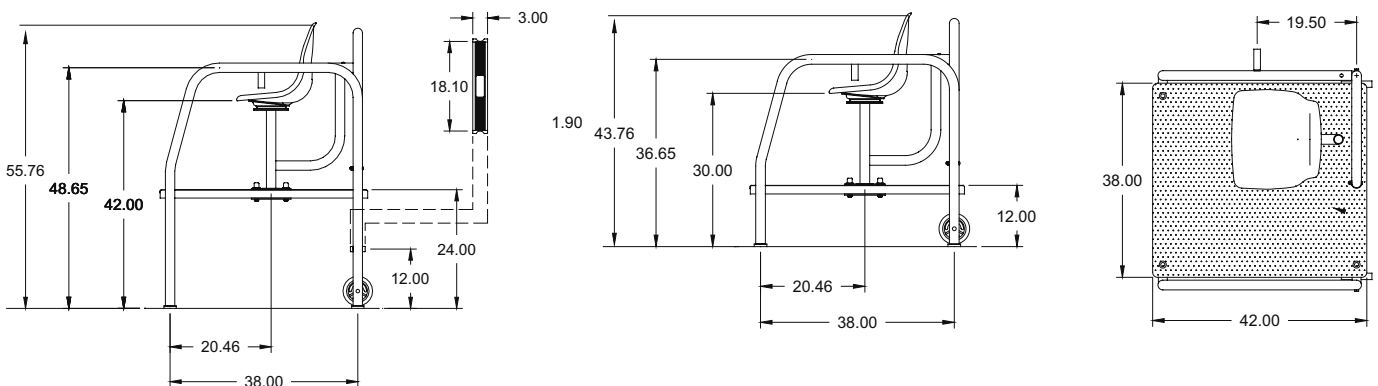
Item No.	Description	Shipping Wt.	L	W	H	Footboard Color
COMPLETE						
LPLS-330	30" Low Profile	(3 boxes) 85 lbs.	25" 44" 62"	20" 46" 58"	9" 3.5" 7"	Radiant White
LPLS-342	42" Low Profile	(3 boxes) 95 lbs.	62" 25" 44"	58" 20" 46"	7" 9" 3.5"	Radiant White
COMPONENTS						
13-111	Seat with Swivel	11 lbs.	26"	20"	11"	Custom colors available
13-109	Swivel Stand with Umbrella Support	16 lbs.	25"	20"	9"	Custom colors available
8-710	Footboard	60 lbs.	26"	22"	12"	Custom colors available
LPLS-330A	Footboard + Hardware for 30"					
LPLS-342A	Footboard + Hardware for 42"					



A40703-0 Swivel

42" Low Profile

30" Low Profile



O-Series – LGC 1001/1002



The circular design of the O-Series is a fresh take on the traditional lifeguard chair!

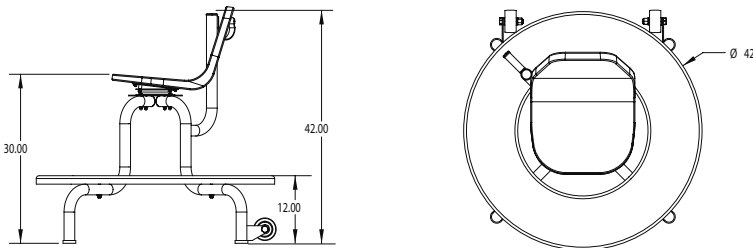
- Portable, lightweight and easy to move for the flexibility to move your lifeguard stations as needed
- Available in 30" or 42" seat heights
- Unique circular design offers 360° access for a fast break at any angle
- Seat swivels 360° for uninhibited, active scanning of the entire facility
- Durable acrylic footboards feature a non-slip sanded tread in a variety of colors to match your facility
- Stainless steel base for added corrosion resistance

42" O-Series Lifeguard Chair

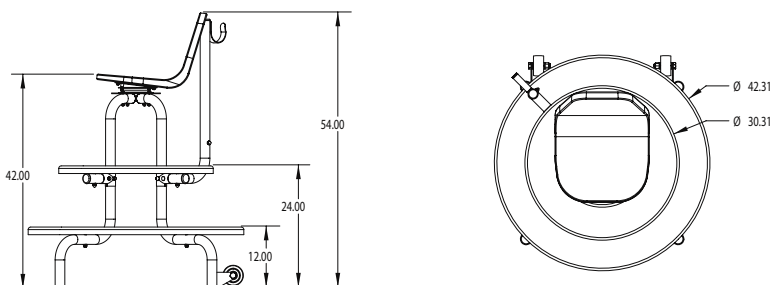
Item No.	Description	Shipping Wt.	L	W	H	Footboard Color
COMPLETE						
LGC-1001	30" O-Series	(2 boxes) 71 lbs.	49" 26"	50" 20"	56" 11"	Radiant White
LGC-1002	42" O-Series	(2 boxes) 99 lbs.	45" 26"	45" 20"	8.5" 11"	Radiant White
COMPONENTS						
8-708	42" (lower) Footboard					Custom colors available
8-709	30" (upper) Footboard					Custom colors available
8-609	Replacement seat					Custom colors available
1-LGC-1001A	Footboard, Swivel, Hardware for 30"					Custom colors available
1-LGC-1002A	Footboard, Swivel, Hardware for 42"					Custom colors available

NOTE: Rescue tube not included.

30" O-Series Lifeguard Chair



42" O-Series Lifeguard Chair



Outlook I & II – US 48600/48700



Outlook I Lifeguard Chair



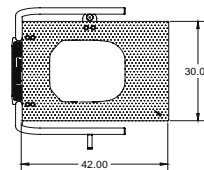
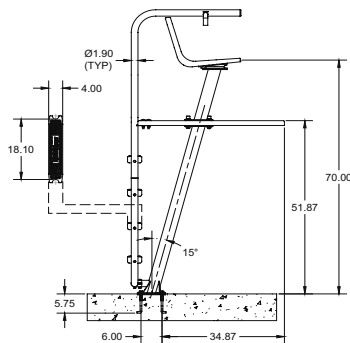
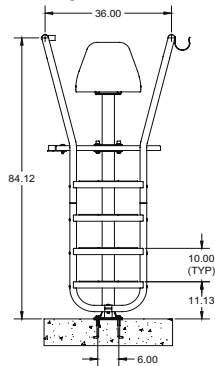
Outlook II Lifeguard Chair

- Permanent units feature a slim design that requires minimal deck space.
- Outlook I is 6' tall at the seat, Outlook II is 5' tall at the seat.
- Extended-size, acrylic observation platforms feature a non-slip sanded tread for maximum lifeguard safety.
- Seats swivel 360° for uninhibited, active scanning of the entire facility.
- Stainless steel bases are powder coated in silver gray for maximum corrosion resistance.

Item No.	Description	Shipping Wt.	L	W	H
COMPLETE					
US48600	6' Outlook I	(2 boxes) 171 lbs.	11" 10"	35" 10"	11.5" 8"
US48700	5' Outlook II	(2 boxes) 156 lbs.	91" 10"	35" 10"	11.5" 8"
COMPONENTS					
13-111	Seat with Swivel	11 lbs.	26"	20"	11"
13-118-SG	Swivel Stand	20 lbs.	17"	8"	10"
8-613	Footboard for Outlook I	45 lbs.	45"	32"	3"
8-614	Footboard for Outlook II	45 lbs.	45"	32"	3"
13-122-SG	Support Column for Outlook I				
13-121-SG	Support Column for Outlook II				
1-U548600A	Outlook I Footboard, Seat, Swivel, Hardware				
1-U548700A	Outlook II Footboard, Seat, Swivel, Hardware				

NOTE: Available in both 304 polished stainless steel or optional 316L

Outlook I Lifeguard Chair



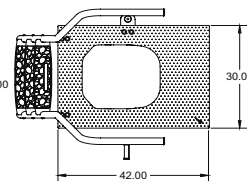
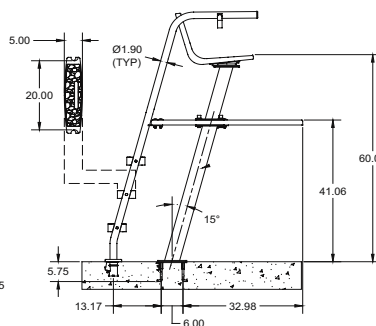
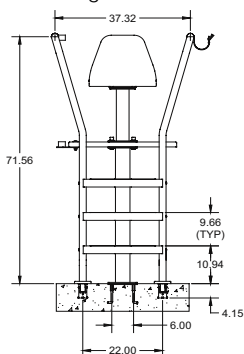
Footboard Color

Radiant White

Tread Color

Radiant White

Outlook II Lifeguard Chair



A40703-0 Swivel

Standard – PLS 204



- Portable unit features two wheels for the flexibility to move your lifeguard stations as needed
- 6' tall at the seat
- Seat swivels 45° for focused scanning
- Extended-size, acrylic observation platform features a non-slip sanded tread for maximum lifeguard safety
- Stainless steel base for added corrosion resistance

Item No.	Description	Shipping Wt.	L	W	H
COMPLETE					
PLS-204	Standard Portable	(3 boxes) 120 lbs.	80" 26" 25"	62.5" 20" 20"	7" 11" 9"
13-130	Hardware Pack				
COMPONENTS					
13-111	Seat with Swivel	11 lbs.	26"	20"	11"
13-109	Swivel Stand with Umbrella Support	16 lbs.	25"	20"	9"
8-705	Footboard	29 lbs.	44"	19"	3"
1-PLS-204A	Footboard and Support, Wheel Assembly, Hardware	94 lbs.	80"	62.5"	7"
LTDF-105	Tread				

Footboard Color

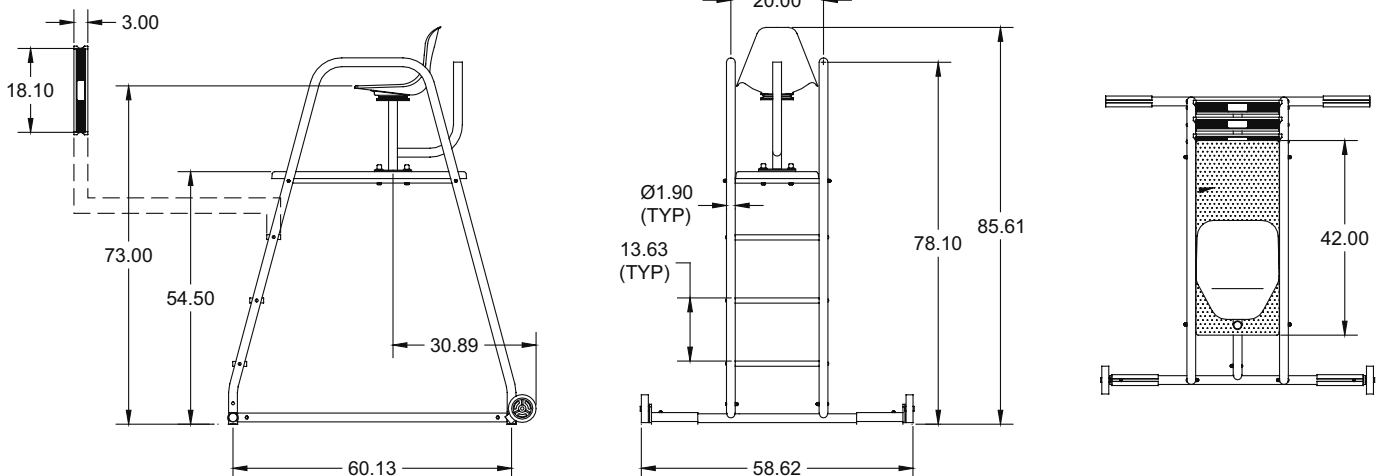
Radiant White

Tread Color

Radiant White



A40703-0 Swivel



Vista – US 48500/48550



- Portable unit features two wheels for the flexibility to move your lifeguard stations as needed
- Available in 6' or 8' seat heights
- Seat swivels 360° for a full view of your facility at all angles
- Extended-size, acrylic observation platform features a non-slip sanded tread in a variety of colors
- Stainless steel base for added corrosion resistance

Item No.	Description	Shipping Wt.	L	W	H
COMPLETE					
US48500	6' Vista	110 lbs.	93"	54"	17"
US48550	8' Vista	110 lbs.	93"	54"	17"
COMPONENTS					
13-111	Seat with Swivel	11 lbs.	26"	20"	11"
13-117	Swivel Stand	16 lbs.	16"	9"	9"
8-612	Footboard	45 lbs.	44"	31"	3"
S2470-102	1 Tread with Hardware	2 lbs.	28"	17"	5"
8-862	Wheel	3.5 lbs.			

Footboard Color

Radiant White

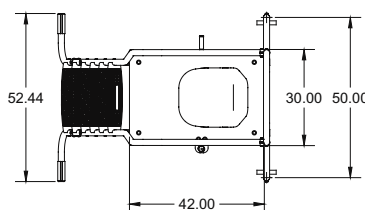
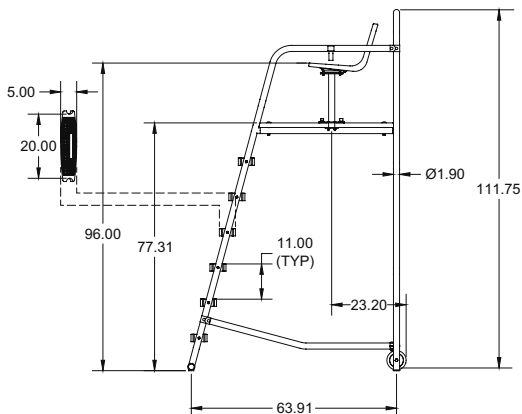
Tread Color

Radiant White

Custom colors available

NOTES:

Available in both 304 polished stainless steel or optional 316L



A40703-0 Swivel

800.824.4387



Pool Security

Protect Against the Unexpected

A pool provides families with hours of enjoyment and lasting memories. However, it can also be a potentially precarious place for small children. Accidental drowning is the leading cause of death in children under the age of 5 and the second leading cause of death in children under 14.

Enhance Pool Safety with Layers of Protection

Comprehensive pool safety starts with active adult supervision and is backed up with supplemental layers of protection. Pool fencing, pool covers, pool alarms and gate & door alarms are a few of the critical layers that help enhance the safety and security of your swimming pool environment. To learn more about ways to protect your pool visit: www.poolsafety.gov

Sound the Alarm on Immersion

When a child or pet unknowingly gains access to an unsupervised pool area, it only takes a moment for tragedy to strike. In many cases, a child or pet falling into the water is an almost silent event. PoolSonix is specifically designed to detect the subsurface wave activity associated with accidental pool entry. Within seconds of detecting the signature wave action, PoolSonix sounds a blaring alarm at the pool and inside the home, alerting a responsible adult to take immediate action.

Be Alerted to Unauthorized Access

Access to the pool area via exterior gates is another potential area of concern. Fencing, in most instances, provides an effective barrier against unauthorized pool access. Unfortunately most fence gates don't have locks so it's difficult to ensure their isolating effect. However with the PoolSonix Gate Alarm you can be forewarned when your fence gate has been opened. The unit can operate standalone or be added to a PoolSonix system.

WARNING: PoolSonix is designed to alert responsible adults to unwanted swimming pool intrusions. IT IS NOT A LIFESAVING DEVICE. Immediate intervention by a responsible individual is required when the alarm sounds.

Active adult supervision is the first and most important layer of protection for any pool. PoolSonix products are not a replacement for active adult supervision or a direct replacement for any other supplemental layer of protection, including, but not limited to: lifeguards, fences, gates, pool covers and locks. The PoolSonix immersion alarm detects the sub-surface signature wave activity associated with accidental drowning and may not detect slow, gradual water entry.

PoolSonix Pool Alarm System



PoolSonix™ is a solar powered wireless pool alarm system that comes with a family of wireless devices (keypad, keyfob, interior siren/strobe) that delivers the ultimate in installation flexibility. PoolSonix is listed to the newest and most rigorous ASTM standard for alarms which ensures a high standard of performance.

- Solar powered – environmentally friendly green energy.
- Dual processor technology – dedicated micro processors for both alarm detection and wireless communication.
- Wireless communication – remote arm/disarm via key pad or keyfob.
- Indoor & outdoor sirens – alarms at the pool and inside the home.
- Tested tough – meets ASTM standard (F 2208-08) for pool alarm devices.
- Easy to live with – intuitively simple operation.
- Accepted solution for the California Swimming Pool Safety Act (115920-115922 Section 6) and the New York Title 19 NYCRR Part 1221.3 (new)



Keyfob Arming



Interior Keypad



Interior Siren

Model No.	Description	Shipping Wt.	L	W	H
PSX-300	PoolSonix™ Alarm System	13 lbs.	12"	8"	6"

COMPONENTS

PSX-301	PoolSonix Base Unit	3.50 lbs.			
PSX-301-1	Base Plate	1.00 lbs.			
PSX-301-2	Curved Section of Tube	0.25 lbs.			
PSX-301-3	Straight Section of Tube	0.25 lbs.			
PSX-301-4	Sloped Coping Mount Plate	0.25 lbs.			
PSX-301-5	Spacers for Mounting Plate	0.10 lbs.			
PSX-301-6	Front Leg Pads (set of 2)	0.10 lbs.			
PSX-301-7	Solar Panel	1.00 lbs.			
PSX-301-9	Wireless Key Pad, PoolSonix	0.50 lbs.			
PSX-301-10	Remote Key Fob, PoolSonix	0.10 lbs.			
PSX-301-11	Interior Siren, PoolSonix	0.50 lbs.			



PoolSonix Gate Alarm



- Can be used as a stand alone alarm, or can be integrated with the PoolSonix Pool Alarm System
- Powered by batteries, DC power, or solar power
- 85db integrated sounder
- Backlit momentary bypass button
- Remote bypass button
- Back mounting plate with hardware
- UL 2017
- Comes with magnetic reed switch and mounting bracket. Remote bypass button optional.

Available Q2 2010 – call for part numbers and pricing.



Pool Slides

S.R.Smith is your one stop shop for slides. From our children's slide, the Cyclone, to our full-flume Vortex slide, we have a slide for virtually any application.

Manufacturing Materials

There are three types of materials that we manufacture our pool slides from – acrylic, fiberglass gelcoat, and rotomolded plastic. All of these materials are fade and scratch resistant. One major benefit to rotomolded manufacturing is the vast number of color and texture options. Developments in this area have led to slides that blend seamlessly into backyard décor. See the Slide Quick Reference guide below to determine what each of our slides is made of.

Installation

All of our slides can be mounted directly to the deck,* making retrofit applications simple, and a great way to add revenue in the off-season months.

Safety Built In

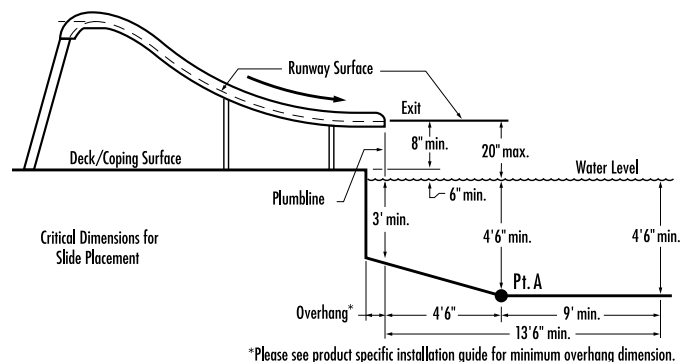


All of our slides fully comply with the U.S. Consumer Product Safety Commission's Safety Standard for Swimming Pool Slides (16 CFR 1207). Whether it be our enclosed ladders, easy to grip hand rails or our non-slip treads – safety is integral to every one of our slides.

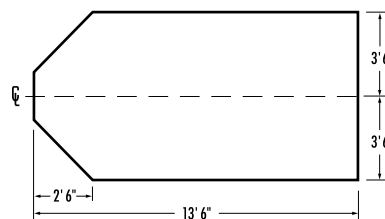
Slide Placement

The pool industry association has provided these guidelines for slide placement:

Slide placement



Required installation envelope



Slide Quick Reference

Slide	Water Delivery	Residential	Commercial	Weight Limit	Installation	Material
AquaBlast	•	•		250 lbs.	On-deck	Acrylic
BigRide	•	•	•	250 lbs.	Landscape	Fiberglass gelcoat
Cyclone	•	•	•	175 lbs.	On-deck	Rotomolded plastic
RocketRide	•	•		250 lbs.	On-deck	Acrylic
Rogue GrandRapids	•	•		250 lbs.	In- or on-deck	Acrylic
Swim Club II	•	•	•	250 lbs.	In- or on-deck	Acrylic
TurboTwister	•	•	•	275 lbs.	On deck	Rotomolded plastic
Typhoon	•	•	•	275 lbs.	On deck	Rotomolded plastic
Vortex	•	•	•	325 lbs.	On deck	Rotomolded plastic

*Consult your inspector for local codes and guidelines.

AquaBlast™

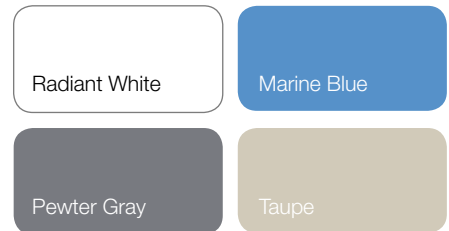
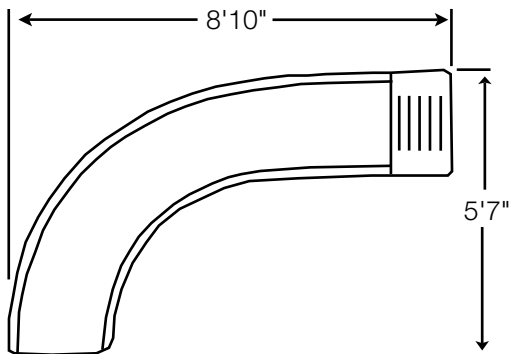
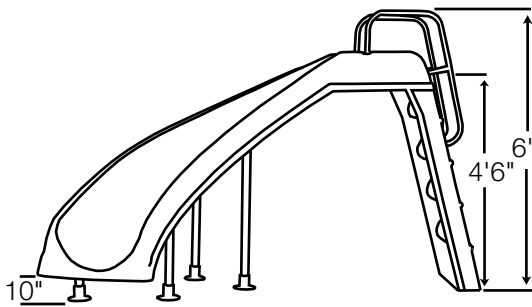


Our popular AquaBlast™ slide was created to fit virtually any size inground swimming pool. With a low-profile, compact design, this slide is the perfect way to make your pool more fun!

- 4'6" tall at the runway, 6' to the top of the handrails – perfect low-profile design fits almost anywhere!
- High-volume GrandRapids™ water delivery system
- Available in 4 designer colors to blend with backyard décor
- Enclosed ladder for maximum safety
- Available in right and left curves
- Two-piece runway – boxed for easy shipping
- Compact footprint works well in limited deck spaces
- Hook up to a garden hose or plumb directly into pool water system
- Accommodates sliders up to 250 pounds
- This slide fully complies with the U.S. Consumer Product Safety Commission's Safety Standard for Swimming Pool Slides (16 C.F.R. 1207)
- Residential use only
- Flanges are required to mount the slide to the deck, and are included

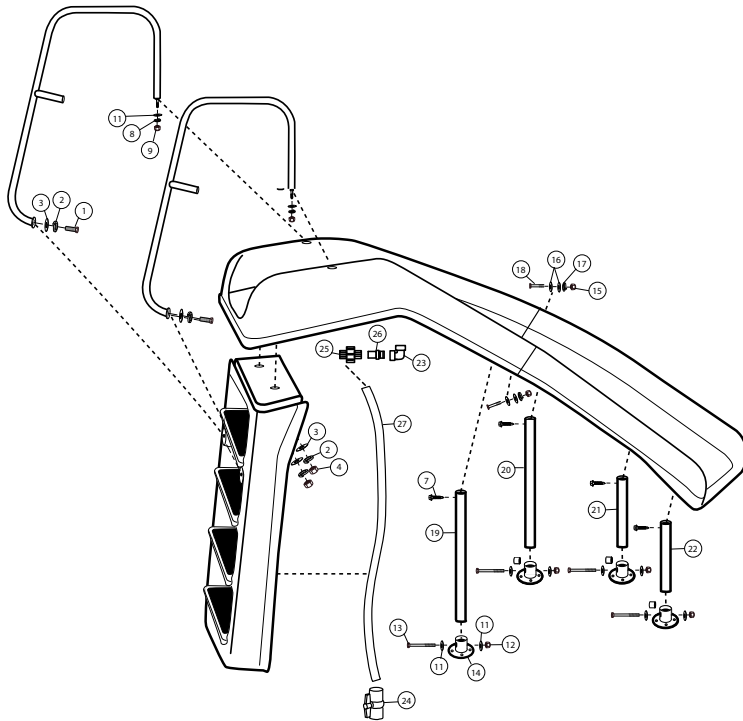
Model No.	Shipping Wt.	L	W	H
623-209-58AB	145 lbs.	70"	31"	34"

Key to Order: Example: 623-209-58110 (Right Taupe)
A = curve: 1=right, 2=left
B = color: 10=taupe, 2=radiant white, 20=pewter gray, 3=marine blue



Actual product colors may vary

All installations must comply with all applicable local and national codes and installation must be completed in accordance with S.R.Smith installation instructions.



Key No.	Part No.	Description	Kit A	Kit B	Kit C
Kit A	123-209-2 123-209-3 123-209-10 123-209-20	AquaBlast Ladder Assembly, White AquaBlast Ladder Assembly, Marine Blue AquaBlast Ladder Assembly, Taupe AquaBlast Ladder Assembly, Pewter Gray			
Kit B	69-209-096	AquaBlast Hardware Kit			
Kit C	69-209-097	AquaBlast Hose Kit			
1	05-14-110	1/2"-20 x 1 1/4" Hex Bolt	•		
2	05-14-115	1/2" Lock Washer	•	•	
3	05-14-114	1/2" Flat Washer	•	•	
4	05-14-116	1/2" Hex Nut	•	•	
5	05-32-122	1/2" Lag Bolt	•	•	
6	05-32-123	1/2" Lag Shield	•	•	
7	05-31-110	5/16" x 1" Hex Washer Head Tek Screw	•	•	
8	5-149	1/4" Split Lock Washer	•		
9	5-137	1/4"-20 Hex Nut	•		
10	05-162	5/8"-18 UNC x 2 3/4" Stud w/Nut and Flat Washer	•	•	
11	05-14-111	1/4" x 5/8" Flat Washer	•		
12	05-14-117	1/4"-20 Hex Lock Nut	•		
13	05-14-123	1/4"-20 x 2 3/4" Hex Bolt	•		
14	75-209-5000	Aluminum Deck Anchor Flange	•		
15	5-365	5/16"-18 Hex Nut	•	•	
16	5-303	5/16" Flat Washer	•	•	
17	5-306	5/16" Split Lock Washer	•	•	
18	5-316	5/16"-18 x 1 1/2" Hex Bolt	•	•	
19	20-225	41" AquaBlast Slide Leg	•		
20	20-224	42" AquaBlast Slide Leg	•		
21	20-227	23" AquaBlast Slide Leg	•		
22	20-226	24" AquaBlast Slide Leg	•		
23	05-792	Elbow - 1" ST SCH 40 PVC	•	•	•
24	05-766	PVC Valve - 1" SCH 80	•	•	•
25	05-769	PVC Union - 1" SCH 40	•	•	•
26	1-311-1	Thread Adapter - 1" SCH 40 PVC	•	•	•
27	05-771	1" PVC Spa Hose	•		•
28	05-773	Garden Hose Adapter	•	•	•

BigRide™



The BigRide™ Landscape slide is a great starting point for custom slidescapes

- 5'6" tall at the top of the runway, with a 17' long ride! (30" wide)
- 3 piece runway for easy shipping and installation
- High volume water delivery system
- Available in three designer colors
- Available in left and right curves
- Commercial grade fiberglass gelcoat for maximum durability
- Extra wide, deep flume for maximum fun and safety
- Accommodates sliders up to 250 lbs
- This slide fully complies with the U.S. Consumer Product Safety Commission's Safety Standard for Swimming Pool Slides (16 C.F.R. 1207)
- Commercial or residential use
- View our installation video at www.srsmith.com/video/bigride.html

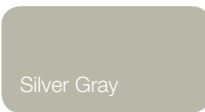
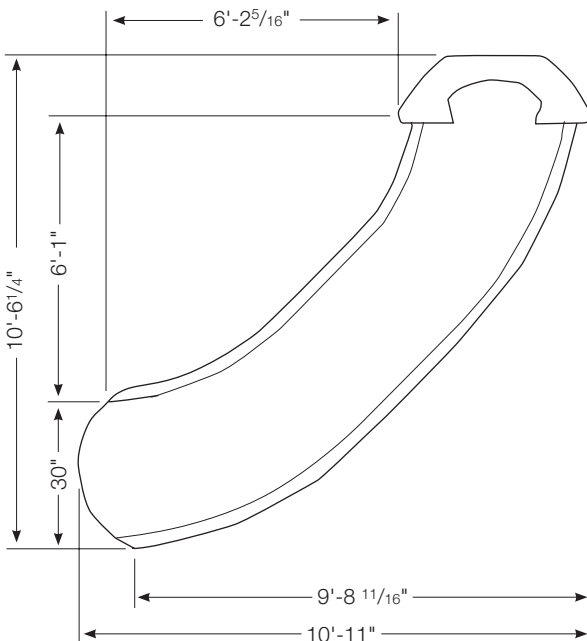
Model No.	Shipping Wt.	L	W	H
BR-2A-B	300 lbs.	52"	76"	37"

Key to Order: Example: BR-2R-SG (Right, Silver Gray)

A = curve: R=right, L=left

B = color: -TP=taupe, -PG=pewter gray, -SG=silver gray

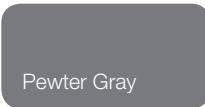
Add the corresponding curve + color code to the end of the slide part number.
Ships within 5-7 days of order.



Silver Gray



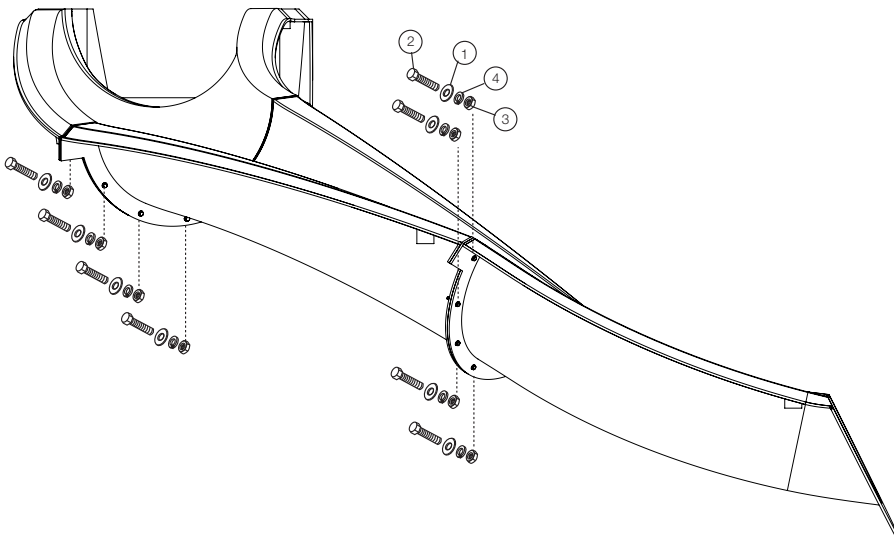
Taupe



Pewter Gray

Actual product colors may vary

All installations must comply with all applicable local and national codes and installation must be completed in accordance with S.R.Smith installation instructions.



Key No.	Part No.	Description	Kit A
Kit A	69-209-163	BigRide Hardware Kit (included)	
1	5-145	3/8" Flat Washer S/S	•
2	5-132	3/8" x 1 3/4" Hex Head Cap Screw S/S	•
3	5-139	3/8" Hex Nut S/S	•
4	5-151	3/8" Lock Washer, Split S/S	•

COMING SOON!

Call for part numbers and pricing

BigRide XL

The BigRide XL has all the great features of our original BigRide, plus one additional 4' section that creates a 22' ride.

Cyclone

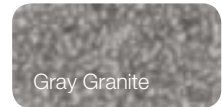
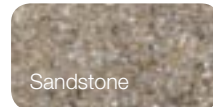
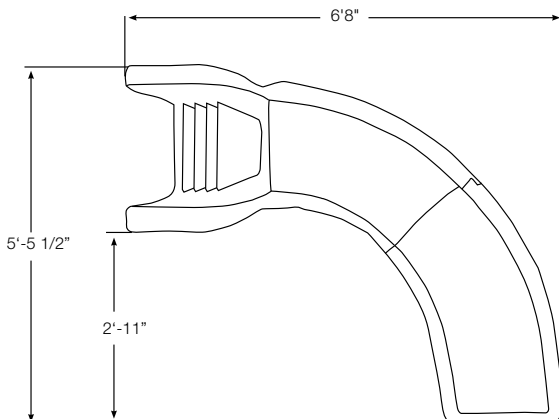
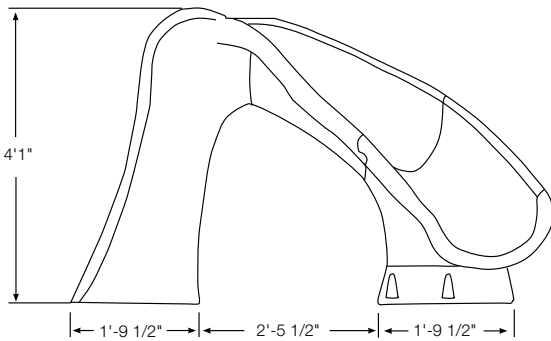


Small slide, Big Fun!

- 4'1" tall at the handrails – low-profile design fits almost anywhere!
- Now includes new water delivery system!
- Only requires 42" of water depth
- Available in right curve only
- Enclosed ladder for maximum safety
- Compact footprint works well in limited deck spaces
- Sturdy, rotomolded construction – for strength and durability
- Accommodates sliders up to 175 pounds.
- This slide fully complies with the U.S. Consumer Product Safety Commission's Safety Standard for Swimming Pool Slides (16 C.F.R. 1207)
- Commercial or residential use

Model No.	Shipping Wt.	L	W	H
698-209-581B	135 lbs.	51.5"	41.5"	31.5"

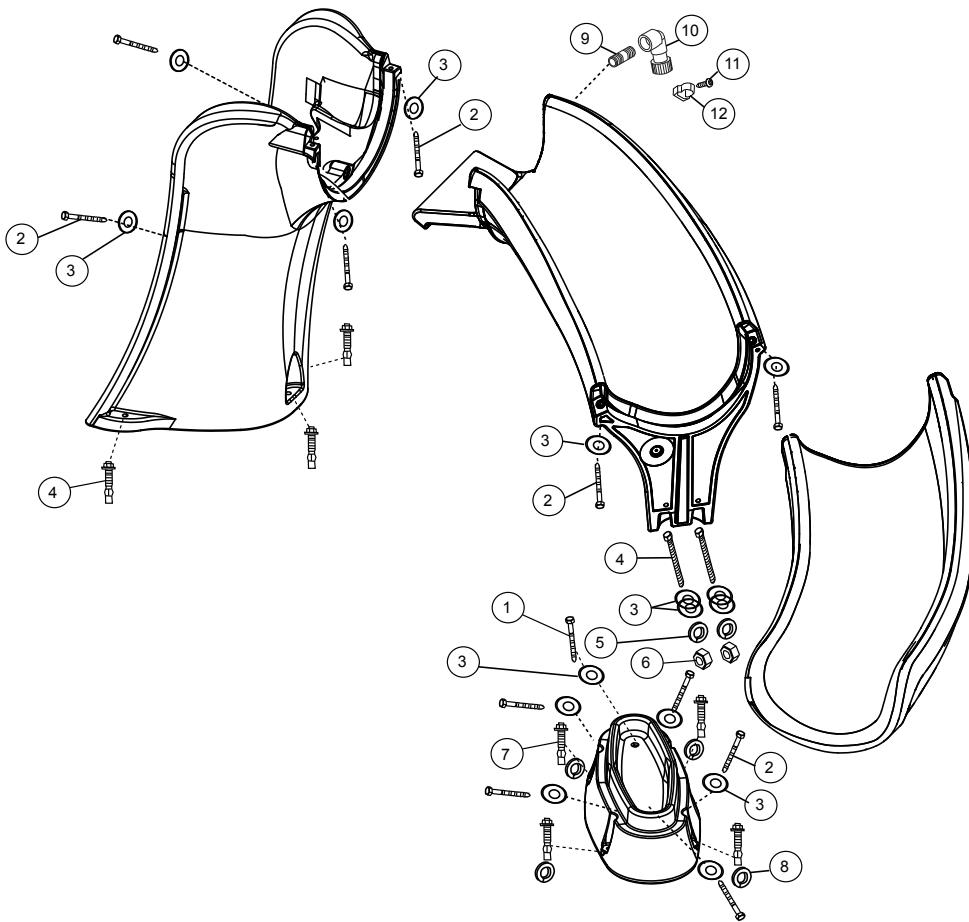
Key to Order: Example: 698-209-58124 (Gray Granite)
 B = color: 23=sandstone, 24=gray granite, 10=taupe
 Available in Right Curve Only



Actual product colors may vary

All installations must comply with all applicable local and national codes and installation must be completed in accordance with S.R.Smith installation instructions.

Children under 48" must be supervised at all times when using this slide.



Key No.	Part No.	Description	Kit A	Kit B
Kit A	69-209-113	Cyclone Hardware Kit		
Kit B	69-209-710	Water Kit		
1	5-240	3/8" x 3.5" Lag Screw	•	
2	5-245	3/8" x 2.5" Lag Screw	•	
3	5-145	3/8" Flat Washer	•	
4	5-238	3/8" x 6" Hex Head Bolts	•	
5	5-151	3/8" Lock Washers	•	
6	5-139	3/8" Hex Nuts	•	
7	5-241	7 concrete anchors (3 to anchor stair, 4 to anchor foot)	•	
8	05-14-115	1/2" Lock Washers	•	
9	05-711	PVC Nipple SCH 80 3/4" x 2"		•
10	05-712	3/4" FHT x 3/4" FIPT Swivel 90		•
11	5-371	Hose Clip Screw		•
12	05-713	3/4" Hose Clip		•

RocketRide™



Our RocketRide™ slide was created to fit virtually any size in-ground swimming pool. With a low-profile, compact design, this slide is the perfect way to make your pool more fun!

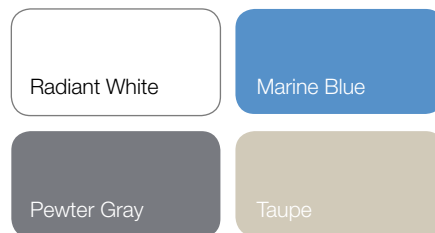
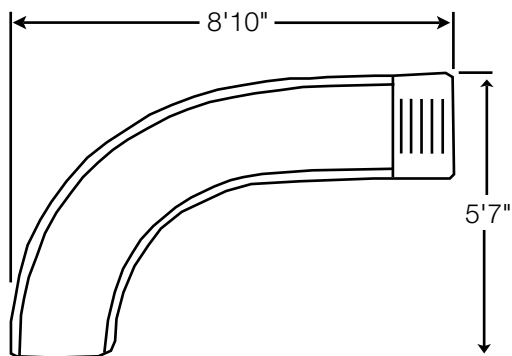
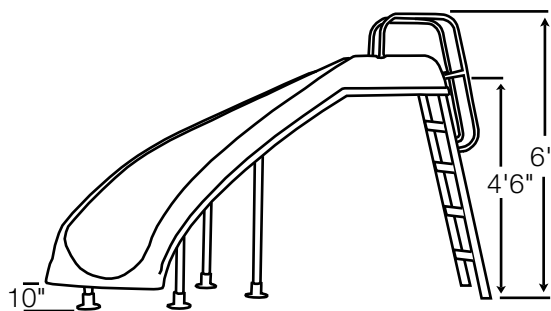
- 4'6" tall at the runway, 6' to the top of the handrails – perfect low-profile design fits almost anywhere!
- Available in 4 designer colors to blend with backyard décor
- Open aluminum ladder offers real value at a lower price point
- Available in right and left curves
- Compact footprint works well in limited deck spaces
- Hook up to a garden hose or plumb directly into pool water system
- Accommodates sliders up to 250 pounds
- This slide fully complies with the U.S. Consumer Product Safety Commission's Safety Standard for Swimming Pool Slides (16 C.F.R. 1207)
- Residential use only
- Flanges are required to mount the slide to the deck, and are included

Model No.	Shipping Wt.	L	W	H
622-209-58AB	105 lbs.	70"	31"	34"

Key to Order: Example: 622-209-58110 (Right Taupe)

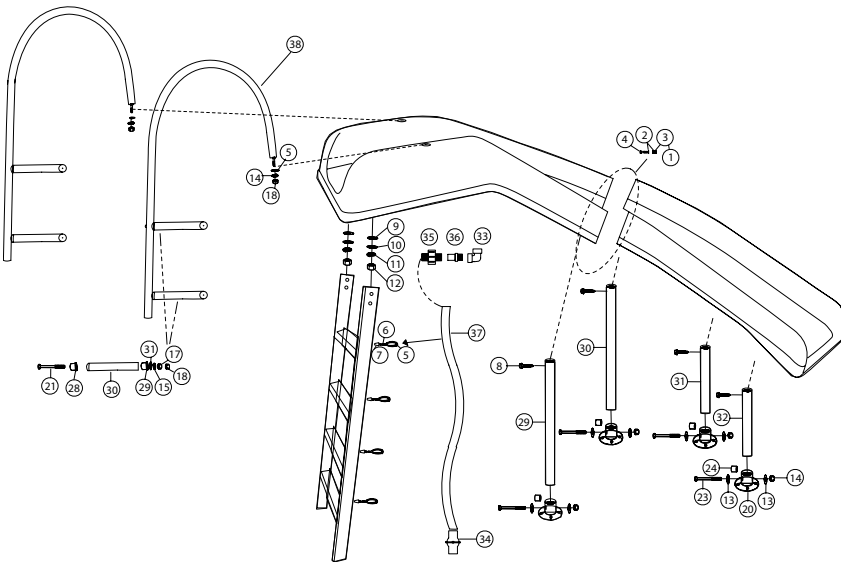
A = curve: 1=right, 2=left

B = color: 10=taupe, 2=radiant white, 20=pewter gray, 3=marine blue



Actual product colors may vary

All installations must comply with all applicable local and national codes and installation must be completed in accordance with S.R.Smith installation instructions.



Key No.	Part No.	Description	Kit A	Kit B	Kit C
Kit A	125-209-5892	RocketRide Ladder & Parts Carton			
Kit B	69-209-098	RocketRide Hardware Kit			
Kit C	69-209-097	RocketRide Hose Kit			
1	5-365	5/16"-18 Hex Nut	•	•	
2	5-303	5/16" Flat Washer	•	•	
3	5-303	5/16" Flat Washer	•	•	
4	5-316	5/16"-18 x 1 1/2" Hex Bolt	•	•	
5	05-767	Plastic Hose Clamp 1"	•	•	
6	5-371	#10-16 Self Tapping Screw	•	•	
7	05-668	Bolt Cap .172" ID x 1/2" long	•	•	
8	05-31-110	5/16" x 1" Hex Washer Head Tek Screw	•	•	
9	05-616	1/2" x 1 1/2" Round Nylon Washer	•	•	
10	05-14-114	1/2" Flat Washer	•	•	
11	05-14-115	1/2" Lock Washer	•	•	
12	05-14-116	1/2" Hex Nut	•	•	
13	05-14-111	1/4" x 5/8" Flat Washer	•		
14	05-14-117	1/4"-20 Hex Lock Nut	•		
15	5-149	1/4" Split Lock Washer	•		
16	05-137	1/4"-20 Hex Nut	•		
17	05-14-124	1/4" x 1/2" Sheet Metal Screw	•	•	
18	05-143	1/4" x 3/4" Flat Washer	•	•	
19	05-31-149	1/4"-20 x 8" Carriage Bolt	•		
20	75-209-5701	Plastic Deck Anchor Flange	•		
21	05-162	5/16" x 2 3/4" Anchor Stud w/ Nut and Washer	•		
22	05-773	Garden Hose Adapter, 1" PVC	•	•	•
23	05-14-123	1/4"-20 x 2 3/4" Hex Bolt	•		
24	01-500	3/8" OD Aluminum Bushing	•		
25	6-121	Nylon Tube Connector	•		
26	6-123	Special Handrail Connector	•		
27	01-212	Aluminum Handrail Spacer	•		
28	01-210	Aluminum Ladder Spacer	•		
29	14-112	41" RocketRide Slide Leg	•		
30	14-113	42" RocketRide Slide Leg	•		
31	14-110	23" RocketRide Slide Leg	•		
32	14-111	24" RocketRide Slide Leg	•		
33	05-792	Elbow ST 1" SCH 40 PVC	•	•	•
34	05-766	Valve PVC 1" SCH 80	•	•	•
35	05-769	Union PVC 1" SCH 40	•	•	•
36	1-311-1	Thread Adapter 1" SCH 40 PVC	•	•	•
37	05-771	Hose PVC Spa 1"	•		•
38	69-209-083	Handrail			

Rogue™ GrandRapids™

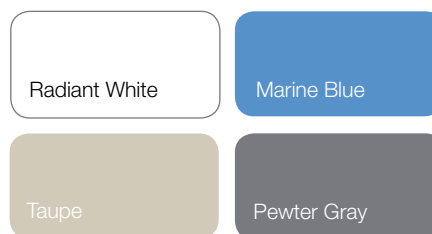
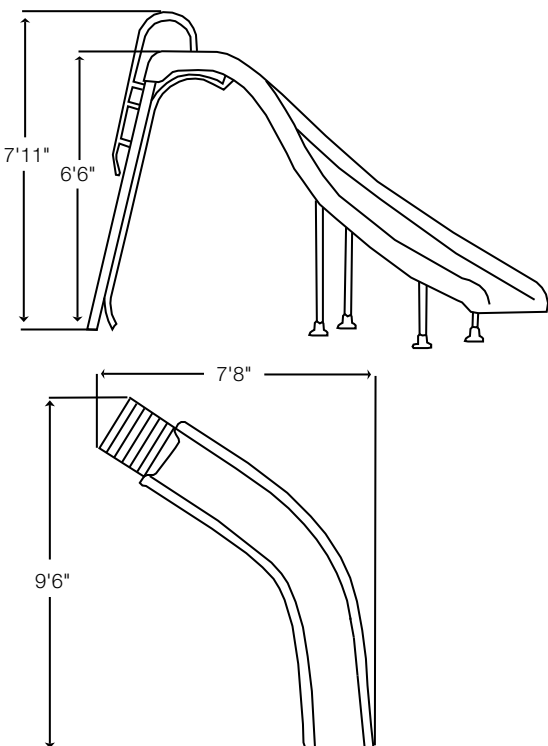


Our tried and true Rogue GrandRapids slide gives you a large slide packed with features for maximum sliding fun.

- 6'6" tall at the top of the runway, 8' to the top of the handrails
- High-volume GrandRapids™ water delivery system
- Available in right or left curve
- Heavy-duty ladder, rails and legs for added stability
- Scratch-resistant acrylic runway for long product life
- Can be surface or in-deck mounted to accommodate any pool (flanges must be purchased separately.)
- Accommodates sliders up to 250 pounds.
- This slide fully complies with the U.S. Consumer Product Safety Commission's Safety Standard for Swimming Pool Slides (16 C.F.R. 1207)
- Residential use only

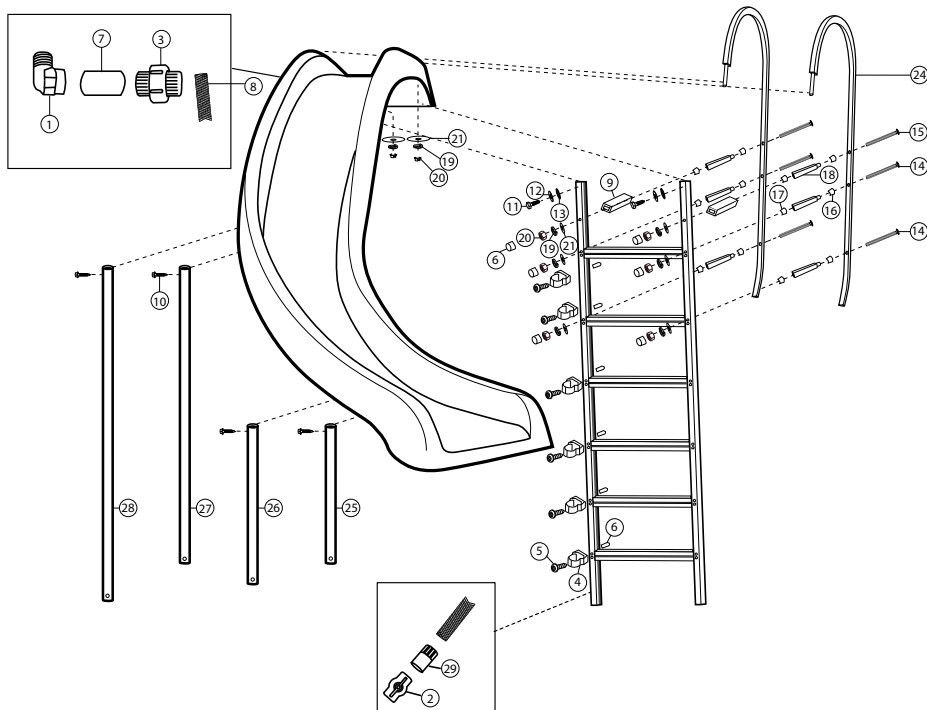
Model No.	Shipping Wt.		L	W	H
635-209-58AB	100 lbs.	(2 boxes)	152" 84"	28" 26"	29.5" 5"
75-209-5865	Plastic Flange Mounting				
75-209-5866	Aluminum Flange Mounting				

Key to Order: Example: 635-209-5822 (Left White)
A = curve: 1=right, 2=left
B = color: 10=taupe, 2=radiant white, 20=pewter gray, 3=marine blue



Actual product colors may vary

All installations must comply with all applicable local and national codes and installation must be completed in accordance with S.R.Smith installation instructions.



Key No.	Part No.	Description	Kit A	Kit B	Kit C
Kit A	135-209-5891	Rogue GrandRapids Ladder & Parts Carton			
Kit B	69-209-089A	Rogue GrandRapids Hose & Bolt Kit			
Kit C	69-209-089	Rogue GrandRapids Hose Kit			
1	05-792	1" 90° Elbow ST SCH 40 SXS	•	•	•
2	05-766	PVC Ball Valve - SCH 80 SXS	•	•	•
3	05-769	PVC Union - SCH 40 1" SXS	•	•	•
4	05-767	Plastic Pipe Clamp	•	•	•
5	5-371	#10-16 x 1" Self Tapping Screw	•	•	•
6	05-668	Vinyl Cap - .172" ID x .5 Long	•	•	•
7	1-311-1	1" PVC SCH 40 Pipe, 2" Long	•	•	•
8	05-771-1	PVC Spa Hose - 1" ID x 1.125" OD	•		•
9	01-210	Aluminum Ladder Spacer	•		
10	05-31-110	5/16" x 1" Hex Washer Head Tek Screw	•	•	
11	05-14-101	5/16" x 1" Lag Screw	•	•	
12	05-14-102	5/16" x 7/8" Flat Washer	•	•	
13	05-622	5/16" x 3/4" Black Rubber Washer	•	•	
14	05-31-151	1/4-20 x 6" Carriage Bolt	•	•	
15	05-31-149	1/4-20 x 8" Carriage Bolt	•	•	
16	6-121	Nylon Tube Connector	•	•	
17	6-123	Nylon Handrail Connector	•	•	
18	1-212	Aluminum Handrail Spacer	•	•	
19	5-149	1/4" Lock Washer	•		
20	5-137	1/4-20 Hex Nut	•	•	
21	5-14-111	1/4" x 5/8" Flat Washer	•	•	
22	05-14-124	1/4" x 1/2" Sheet Metal Screw	•	•	
23	05-143	1/4" x 3/4" Flat Washer	•	•	
24	69-209-157	Rogue Handrail	•		
25	14-104	Rogue 21" Aluminum Leg	•		
26	14-105	Rogue 24" Aluminum Leg	•		
27	14-106	Rogue 43" Aluminum Leg	•		
28	14-107	Rogue 48" Aluminum Leg	•		
29	05-773	Garden Hose Adapter	•	•	•

- Rogue slide parts are not compatible with Frontier III slides
- Ladder/handrail kits of current Rogue slides are not compatible with Rogue slides manufactured prior to 2006. 2006 and newer Rogue serial numbers have serial numbers that start with SR-SL06- or higher

Swim Club II



This well-crafted slide with stainless steel legs and heavy-duty acrylic runway make it an ideal choice for commercial aquatic facilities.

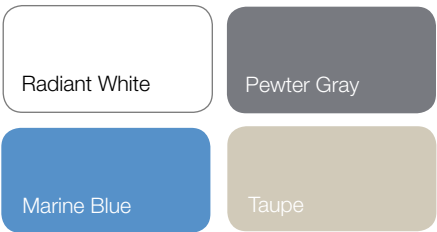
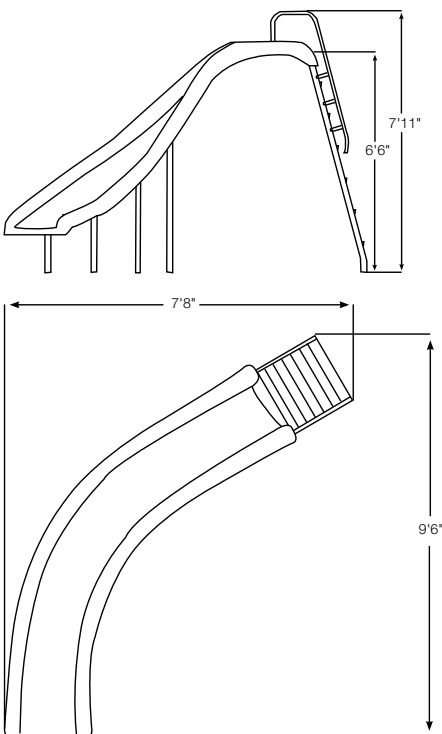
- 6'6" at the top of the runway, 8' to the top of the handrails
- Available in right or left curve
- Heavy-duty stainless steel ladder, rails and legs for added stability
- Scratch-resistant acrylic runway for long product life
- Can be surface or in-deck mounted to accommodate any pool (flanges must be purchased separately.)
- Accommodates sliders up to 250 lbs
- This slide fully complies with the U.S. Consumer Product Safety Commission's Safety Standard for Swimming Pool Slides (16 CFR 1207).
- Commercial or residential use

Model No.	Shipping Wt.		L	W	H
645-209-58AB	125 lbs.	(2 boxes)	152" 87"	27" 23"	28" 7"
75-209-5200	Anchor Kit (order separately)				

Key to Order: Example: 645-209-58110 (Right Curve Taupe)

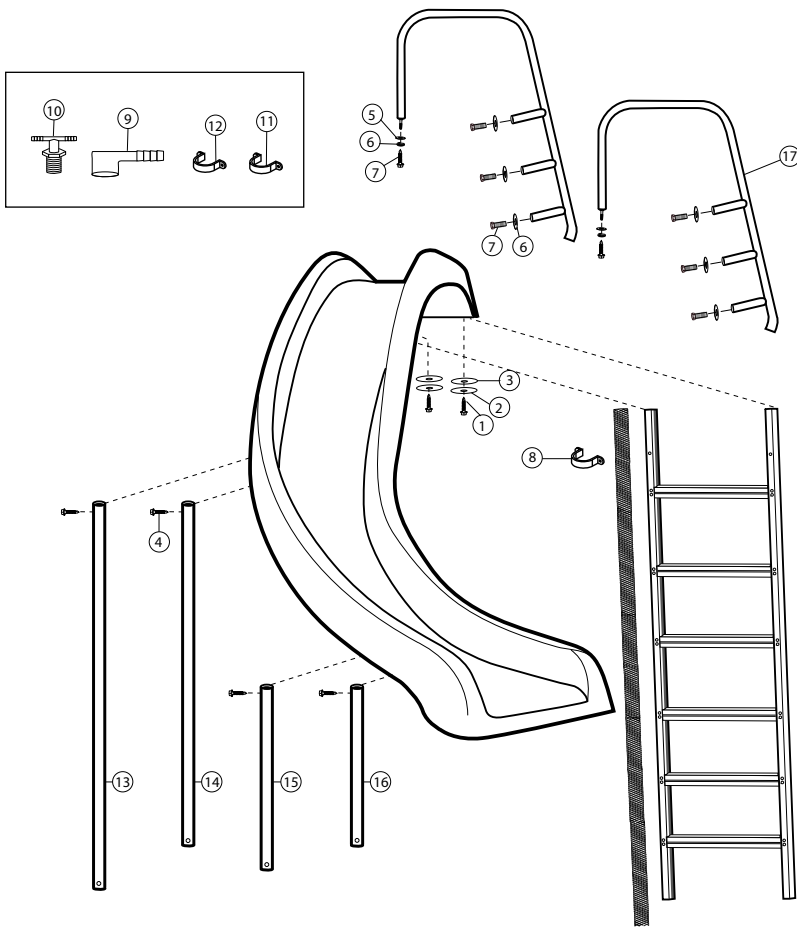
A = curve: 1=right, 2=left

B = color: 2=radiant white, 3=marine blue, 10=taupe, 20=pewter gray,



Actual product colors may vary

All installations must comply with all applicable local and national codes and installation must be completed in accordance with S.R.Smith installation instructions.



Key No.	Part No.	Description	Kit A	Kit B
Kit A	140-209-5891	Swim Club II Ladder & Parts Carton		
Kit B	69-209-082	Swim Club II Hardware Kit		
Kit C	69-209-110	Hose Kit		
1	05-14-127	1/4"-20 UNC x 1 1/4" Thread Cut Screw	•	•
2	5-143	1/4" x 3/4" Black Rubber Washer	•	
3	05-622	5/16" x 3/4" Black Rubber Washer	•	•
4	05-31-110	5/16" x 3/4" Hex Washer Head Tek Screw	•	•
5	05-150	3/8" x 1 1/2" Flat Washer S/S	•	•
6	05-151	3/8" Lock Washer	•	•
7	05-738	3/8"-18 UNC x 3 1/2" Bolt S/S	•	•
8	05-762	1/2" Med. S/S Clip	•	•
9	05-757	1/2" FIPT x 1/2" Hose Barb Flex Adapter	•	•
10	05-758	1/2" MPT x 3/8" Hose Barb Tee	•	•
11	05-760	1/2" Plastic Hose Clamp	•	•
12	05-761	3/4" Plastic Hose Clamp	•	•
13	20-230	48 3/4" Swim Club II Leg	•	
14	20-231	45" Swim Club II Leg	•	
15	20-232	24" Swim Club II Leg	•	
16	20-233	21" Swim Club II Leg	•	
17	69-209-070	Handrail		

TurboTwister



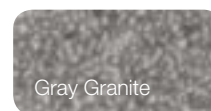
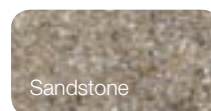
The TurboTwister slide gives you water park thrills right in your own backyard!

- Over 8 feet tall at the top of the handrails!
- Assembles in under 1 hour (not including plumbing or deck-mounting)—fastest large slide installation in the industry!
- High-volume GrandRapids™ water delivery system
- Plumb through return line, or connect to a garden hose.
- Available in right and left curves.
- Enclosed ladder and new molded handrail design for maximum safety.
- Sturdy rotomolded construction – for strength and durability.
- Accommodates sliders up to 275 pounds.
- This slide fully complies with the U.S. Consumer Product Safety Commission’s Safety Standard for Swimming Pool Slides (16 C.F.R. 1207)
- Commercial or residential use
- Mounts on deck — no anchors required

Model No.	Shipping Wt.	L	W	H
688-209-58AB	350 lbs.	56"	40"	107"

Key to Order: Example: 688-209-58123 (Right Curve Sandstone)

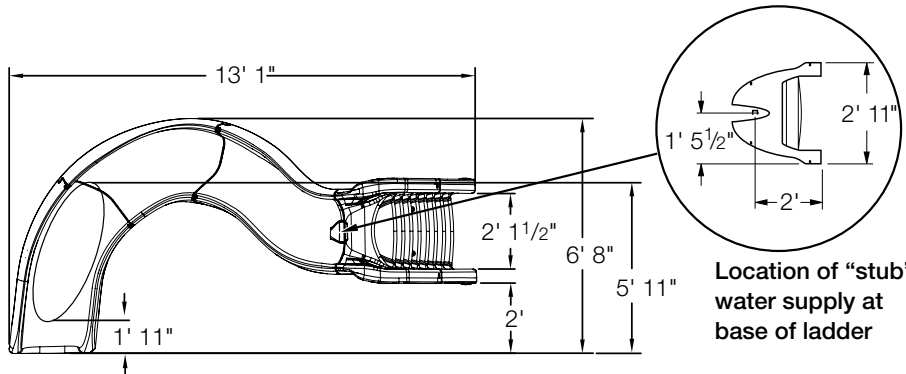
A = curve: 1=right, 2=left
 B = color: 23=sandstone, 24=gray granite



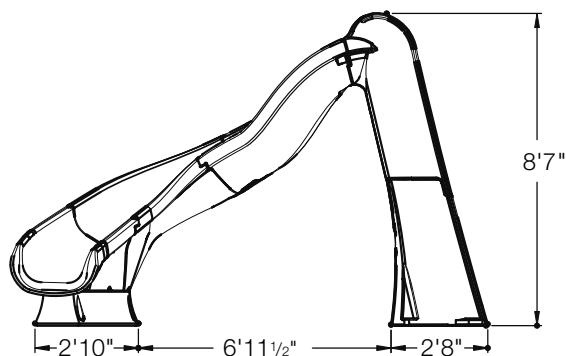
Actual product colors may vary

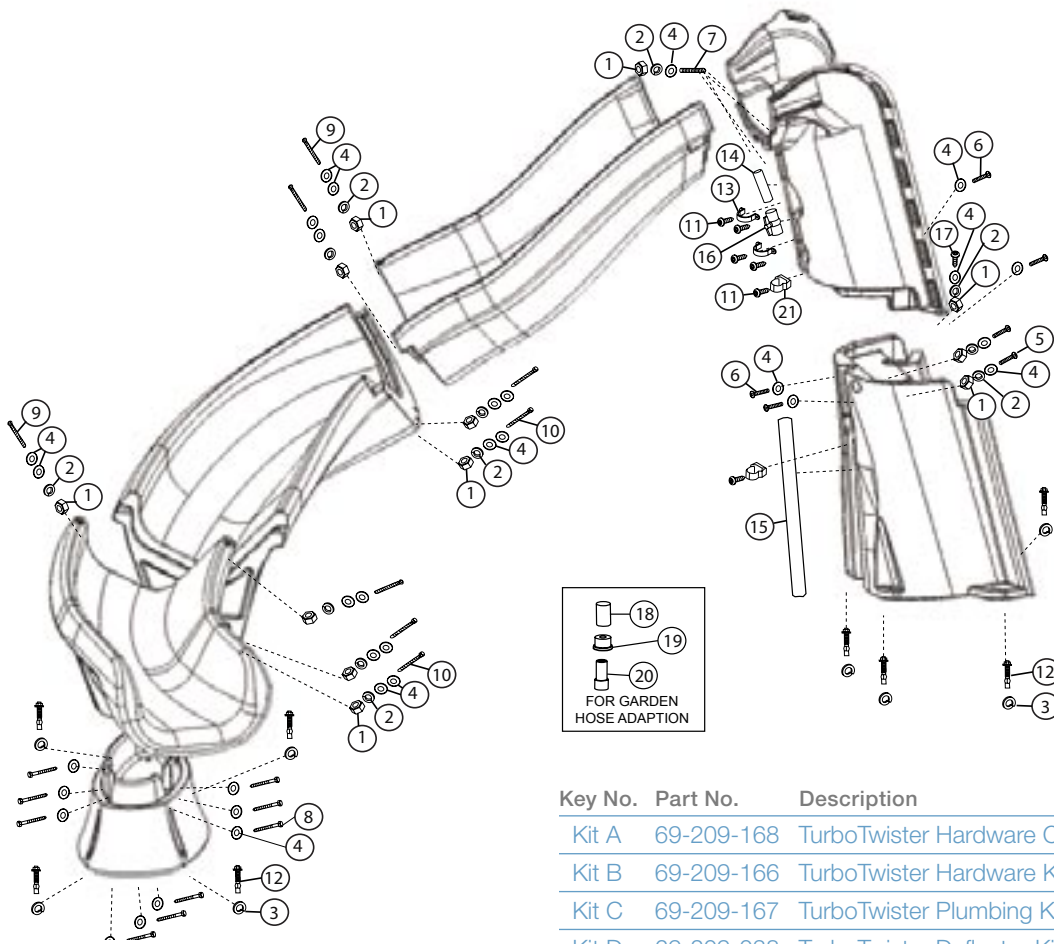
All installations must comply with all applicable local and national codes and installation must be completed in accordance with S.R.Smith installation instructions.

Children under 48" must be supervised at all times when using this slide.



Location of "stub" water supply at base of ladder





Key No.	Part No.	Description	Kit A	Kit B	Kit C
Kit A	69-209-168	TurboTwister Hardware Carton – 2008 or newer slides			
Kit B	69-209-166	TurboTwister Hardware Kit			
Kit C	69-209-167	TurboTwister Plumbing Kit			
Kit D	69-209-038	TurboTwister Deflector Kit			
Kit E	69-209-120	Paver Kit			
Kit F	69-209-121	Gasket Kit			
1	5-139	3/8" Hex Nut	•	•	
2	5-151	3/8" Lock Washer	•	•	
3	05-14-115	1/2" Lock Washer	•	•	
4	5-145	3/8" Flat Washer	•	•	
5	5-235	3/8" x 2 1/4" Carriage Bolt	•	•	
6	5-236	3/8" x 2 1/4" Button Head Cap Screw	•	•	
7	5-239	3/8" x 2 1/2" Stud	•	•	
8	5-240	3/8" x 3 1/2" Lag Screw	•	•	
9	5-237	3/8" x 5" Button Head Cap Screw	•	•	
10	5-238	3/8" x 6" Hex Head Cap Screw	•	•	
11	5-242	1/4" x 1" TEK Screw	•	•	
12	5-241	1/2" x 5" Anchor Stud	•	•	
13	05-787	2 3/8" PVC Pipe Strap	•		•
14	05-789-2	Hose, Pre-flex 1.5" (15" length)			
15	05-789-1	Hose, Pre-flex 1.5" (66" length)			
16	05-777	1 1/2" Ball valve	•		•
17	5-249	3/8" x 3 1/4" Button Head Cap Screw	•	•	
18	05-781	1 1/2" Coupling	•		•
19	05-780	1 1/2" x 3/4" Reducer	•		•
20	05-779	Garden Hose Adapter	•		•
21	05-788	1 1/2" Clic-top Pipe Clamp	•		•
	04-610	Shims			

Typhoon™



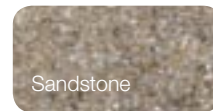
The newest addition to our rotomolded family of slides (Cyclone, **Typhoon** and TurboTwister) means now you have a slide to sell with every pool.

- 7'4" tall at the top of the handrails
- High-volume GrandRapids™ water delivery system
- Available in right and left curves
- Rotomolded construction for strength and durability
- Accommodates sliders up to 275 pounds
- Enclosed ladder and molded handrails for increased safety
- This slide fully complies with the CPSC Safety Standard for Swimming Pool Slides (16 CFR 1207)
- Commercial or residential use

Model No.	Shipping Wt.	L	W	H
670-209-58AB	255 lbs.	55"	31"	90"

Key to Order: Example: 670-209-58123 (Right Curve Sandstone)

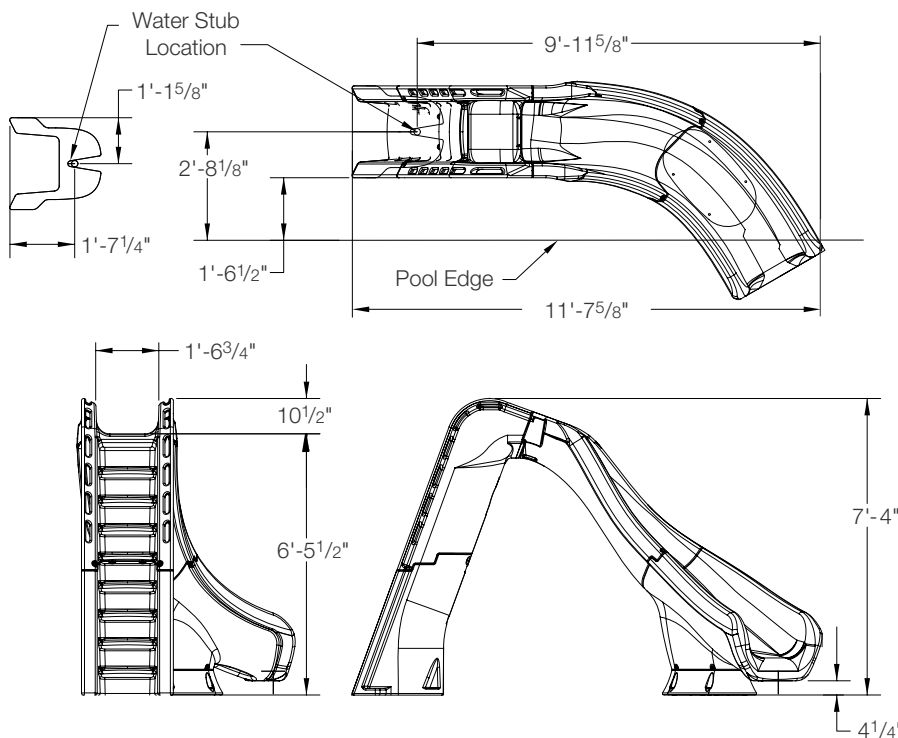
A = curve: 1=right, 2=left
 B = color: 23=sandstone, 24=gray granite

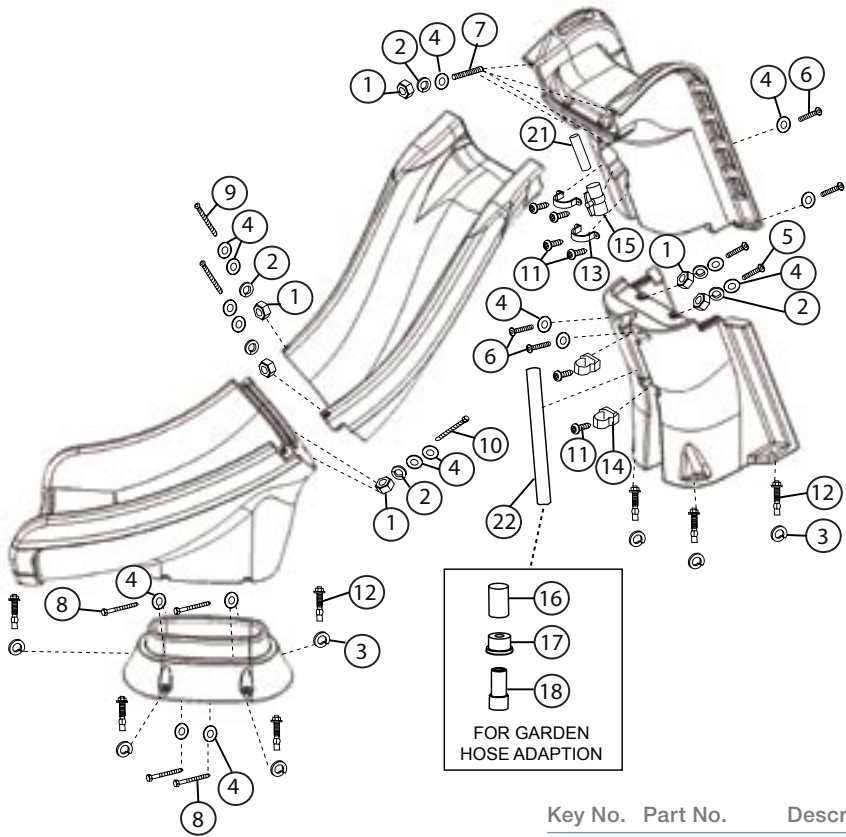


Actual product colors may vary

All installations must comply with all applicable local and national codes and installation must be completed in accordance with S.R.Smith installation instructions.

Children under 48" must be supervised at all times when using this slide.





Key No.	Part No.	Description	Kit A	Kit B	Kit C
Kit A	69-209-124	Typhoon Hardware Carton			
Kit B	69-209-123	Typhoon Hardware Kit			
Kit C	69-209-122	Typhoon Plumbing Kit			
Kit D	69-209-121	Gasket Kit			
1	5-139	3/8" Hex Nut	•	•	
2	5-151	3/8" Lock Washer	•	•	
3	05-14-115	1/2" Lock Washer	•	•	
4	5-145	3/8" Flat Washer	•	•	
5	5-246	3/8" x 2 3/4" Carriage Bolt	•	•	
6	5-247	3/8" x 3" Button Head Cap Screw	•	•	
7	5-239	3/8" x 2 1/2" Stud	•	•	
8	5-240	3/8" x 3 1/2" Lag Screw	•	•	
9	5-237	3/8" x 5" Button Head Cap Screw	•	•	
10	5-248	3/8" x 4" Hex Head Cap Screw	•	•	
11	5-242	#14 x 1" Pan Head Cap Screw	•	•	
12	5-241	1/2" x 5" Anchor Stud	•	•	
13	05-782	1 1/2" PVC Pipe Strap	•		•
14	05-767	1" Pipe Clamp	•		•
15	05-766	1 1/2" Ball Valve	•		•
16	05-784	1" Coupling	•		•
17	05-785	1" x 3/4" Reducer	•		•
18	05-779	Garden Hose Adapter	•		•
19	8-532	1/2" H x 1/2" W x 32" L Rubber Gasket	•		•
20	8-531	1/4" H x 3/8" W x 33" L Rubber Gasket	•		•
21	05-786-1	1" PVC Flex Hose, 16" Long			
22	05-786-2	1" PVC Flex Hose, 64" Long			

Vortex™

Go high-end residential or crossover to commercial applications with this new multi-market slide. This open or closed flume slide is available with a ladder or staircase design so you can customize to fit your application.



- Open or closed flume
- 10'7" overall height, 7'6" tall to the seat with a 19' corkscrew runway
- Available with a ladder or spiral staircase
- High-volume water delivery system
- Rotomolded flume pieces with a steel frame
- Accommodates sliders up to 325 pounds
- Mounts to most existing decks — see installation instructions
- Build to order — call for lead times
- This slide fully complies with the CPSC Safety Standard for Swimming Pool Slides (16 CFR 1207)

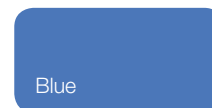
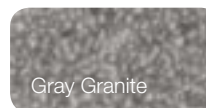
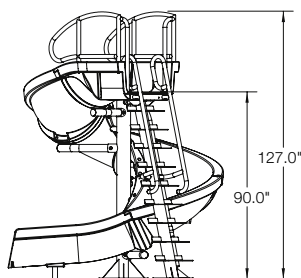


Model No.	Description	Shipping Wt.
695-209-1A	Open flume with ladder	1350 lbs
695-209-2A	Closed flume with ladder	1500 lbs
695-209-3A	Open flume with staircase	1710 lbs
695-209-4A	Closed flume with staircase	1860 lbs

Product ships on 2 pallets and requires 14' of trailer space

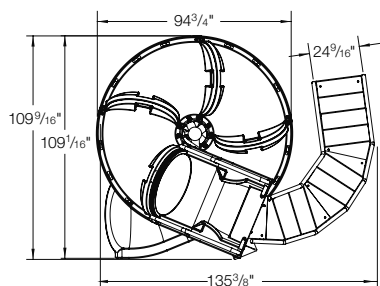
L	W	H
57"	128"	72"
39"	150"	48"

A = Color: 3 = Blue, 24 = Gray Granite

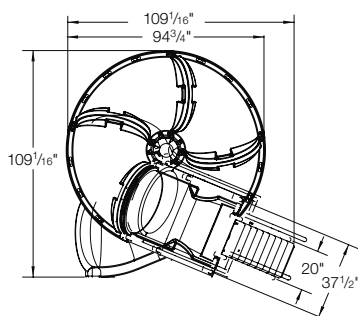


Actual product colors may vary

Vortex with Staircase



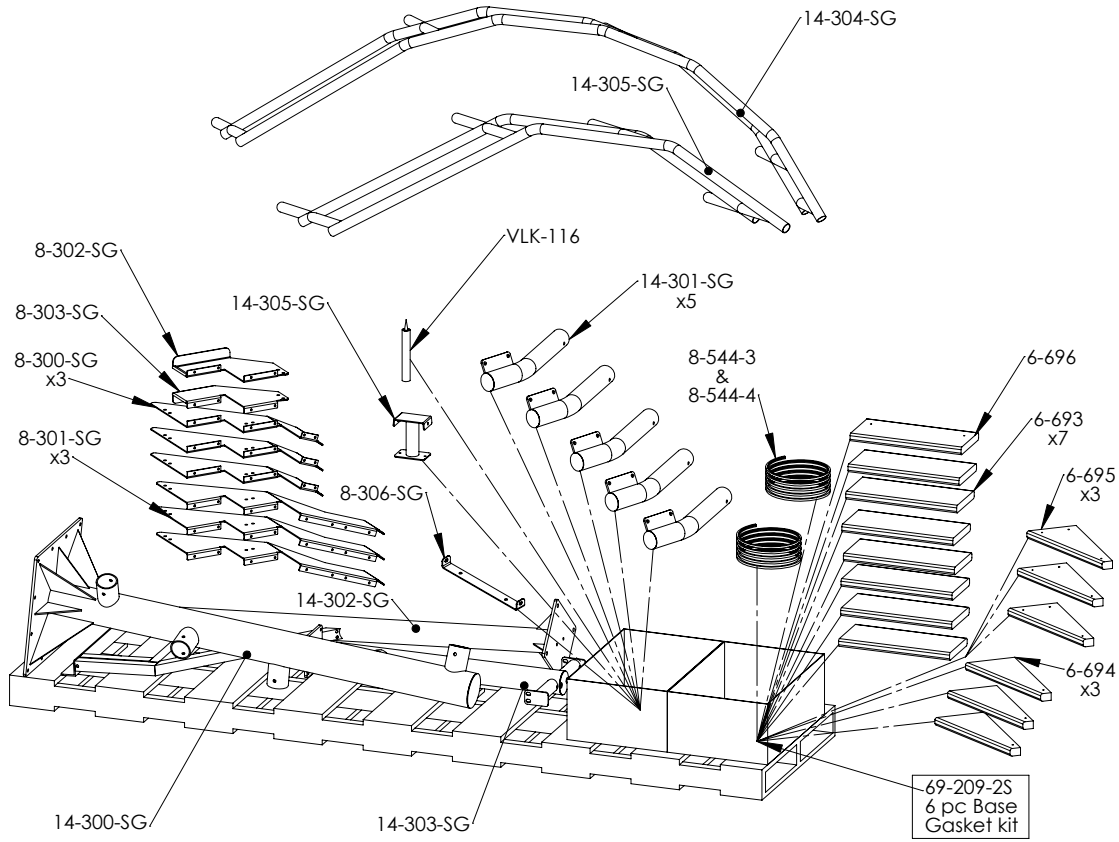
Vortex with Ladder



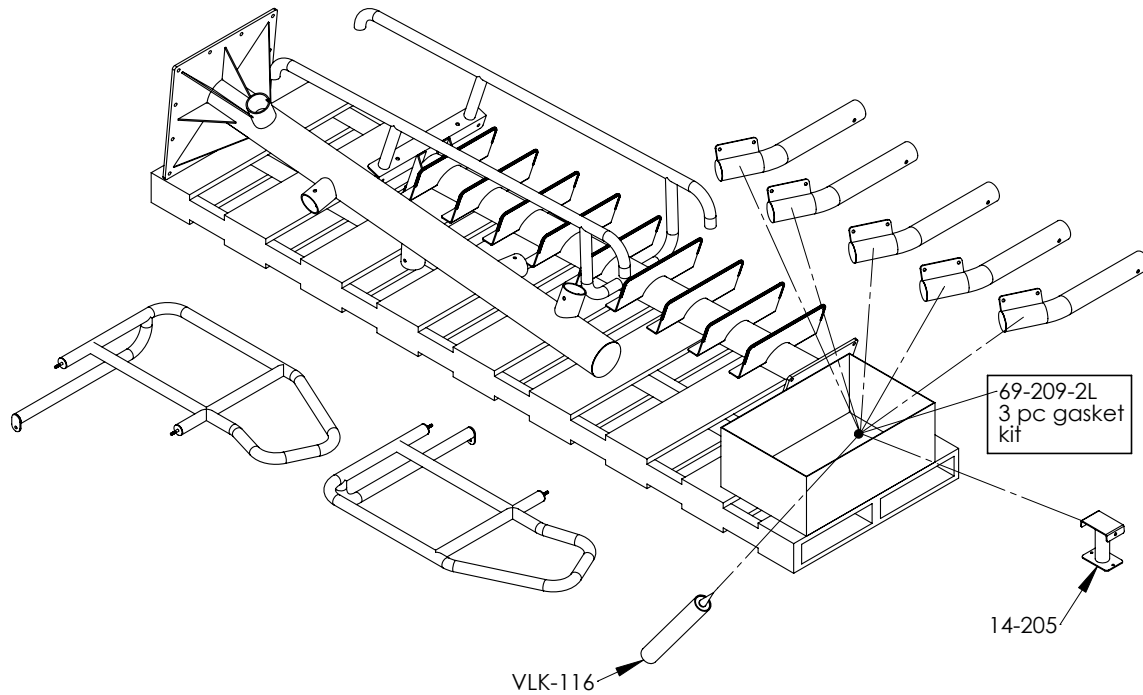
All installations must comply with all applicable local and national codes and installation must be completed in accordance with S.R. Smith installation instructions.

Children under 48" must be supervised at all times when using this slide.

Vortex with Staircase



Vortex with Ladder





Starting Platforms

Starting platforms can make a big difference in swimmer's competitive times. A solid platform that doesn't wobble can help swimmers get a better, faster start – leading to a better time. It all starts with the anchor.

A RockSolid™ Choice

Our original, single-post RockSolid anchor has become the industry standard for sturdy starting platforms. Our RockSolid anchor eliminates platform wobble, allowing solid starts and can help reduce swimmer times. With the patented RockSolid Anchor being available in both a single post and dual-post design, there is a RockSolid anchor to go with nearly any starting platform you choose.

Getting the Right Fit

While our standard starting platform configurations fit the majority of pools, we also offer long-reach and side mount options of many of our starting platforms for special situations. Long reach platforms are ideal for pools with wide gutter configurations, or when there is a lot of electrical equipment on the deck for a timing system. Side mount platforms are ideal for narrow bulkheads or decks, when space is an issue.

Show Your Team Spirit

For competitive facilities, starting platforms are the focal point. We provide many opportunities for customization – whether you add the home team's logo to the footboards, or have the powder coated frame and footboard tread done in team colors.

Easy to Specify

Our starting platforms are easy to add to your proposal, with complete written and drawn specifications by our engineers. Up-to-date specifications and AutoCAD files can be downloaded directly from our website – no waiting for an email response or a CD in the mail!

So Many Options

In addition to colors and logos, some of our starting platforms allow for starting strobes that integrate with leading timing systems.

You can also choose from four unique backstroke handle designs:



1. Angled Handle



2. Horizontal Handle



3. U-Handle



4. H-Handle



Visit our online configurator to customize your block today at:
www.build-a-block.com



Legacy™ Single-Post



Legacy™ Long Reach

NOTE:
Number of steps (1 or 2) will vary depending on setback and height of starting platform.



Legacy™ Side Mount

Legacy Starting Platforms

All Legacy starting platforms

The Legacy single-post models are ideal for highly competitive swimming facilities.

- Footboard: 24" wide x 30" deep, high-impact, laminated core reinforced with fiberglass in an acrylic skin with a non-slip SureFoot tread.
- The 2.5" square, 304 stainless steel tubing is powder-coated for added corrosion resistance
- Choose from 4 different backstroke handle designs, see page 107
- Use with the RockSolid anchor that eliminates platform rocking, allowing swimmers to have more consistent starts
- Meets FINA, NCAA, NFSHSA, USMS, USAS and competition pool rules and regulations

Legacy Standard

- Setback: 21" to 26" anchor set back
- Height: 17" to 29.5" from deck edge to top front edge of platform

Legacy Long Reach

The solution for pools with wide or parapet gutter systems

- Setback: 30" to 40" anchor set back
- Height: 20" to 29.5" from deck edge to top front edge of platform

Legacy Side Mount

Ideal for narrow bulkheads or pools with limited deck space.

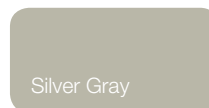
- Setback: 21" to 26" anchor set back
- Height: 19" to 29.5" from deck edge to top front edge of platform

Item No.	Description	Shipping Wt.	L	W	H
LEGACY-SP-9999	Legacy with anchor	90 lbs. (2 boxes)	44" 8"	26.5" 8"	30" 6"
LGCYL1-SP-9999	Legacy Long Reach with anchor	varies (2 boxes)	63" 8"	26" 8"	33" 6"
LSM-9999	Legacy Side Mount with anchor	varies (2 boxes)	45" 25"	27" 10"	30" 3"
27-107	RockSolid Anchor	8 lbs.	8"	8"	6"
20-191	Safety Cap for Anchor				

*Add A to the end of the part number to order without an anchor

NOTE: Can be customized with team logos and colors for an additional charge. Call for quote.

Frame Colors

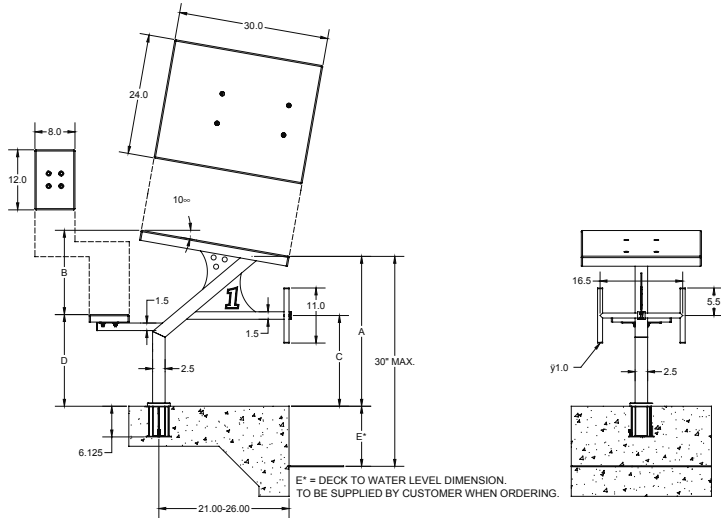


Tread Colors



Custom colors also available.

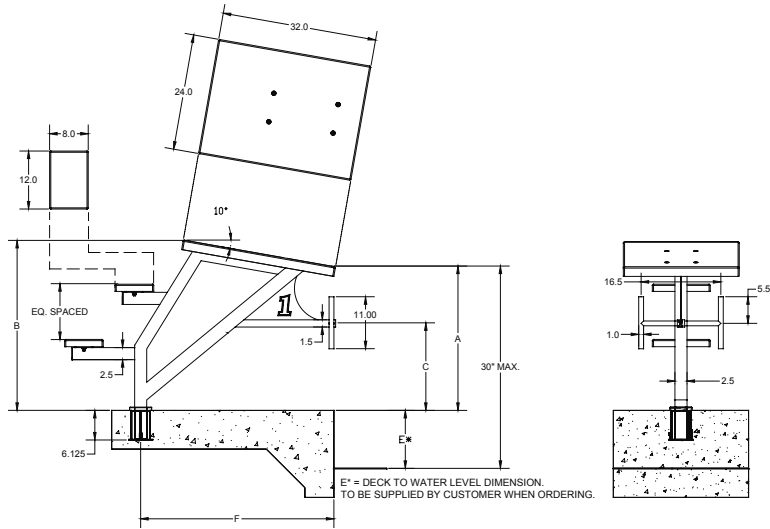
Legacy Starting Platform



MODEL NUMBER	A*	B	C	D
LEGACY 26-30	30	16.62	18.00	19.25
LEGACY 26-29.5	29.5	16.62	17.50	17.75
LEGACY 26-29	29	16.62	17.00	17.25
LEGACY 26-28.5	28.5	16.62	16.50	16.75
LEGACY 26-28	28	16.62	16.00	16.25
LEGACY 26-27.5	27.5	16.62	15.50	15.75
LEGACY 26-27	27	16.62	15.00	15.25
LEGACY 26-26.5	26.5	16.62	14.50	14.75
LEGACY 26-26	26	16.62	14.00	14.25
LEGACY 26-25.5	25.5	16.62	13.50	13.75
LEGACY 26-25	25	16.62	13.00	13.25
LEGACY 25-24.5	24.5	14.66	12.50	14.75
LEGACY 25-24	24	14.66	12.00	14.25
LEGACY 24-23.5	23.5	14.16	11.50	14.25
LEGACY 24-23	23	14.16	11.00	13.75
LEGACY 23-22.5	22.5	12.91	10.50	14.50
LEGACY 23-22	22	12.91	10.00	14.00
LEGACY 23-21.5	21.5	12.91	9.50	13.50
LEGACY 23-21	21	12.91	9.00	13.00
LEGACY 23-20.5	20.5	12.91	8.50	12.50
LEGACY 23-20	20	12.91	8.00	12.00
LEGACY 22-19.5	19.5	11.91	7.50	12.50
LEGACY 22-19	19	11.91	7.00	12.00
LEGACY 22-18.5	18.5	11.91	6.50	11.50
LEGACY 21-18	18	10.66	6.00	12.25
LEGACY 21-17.5	17.5	10.66	5.50	11.75
LEGACY 21-17	17	10.66	5.00	11.25

*nominal dimension

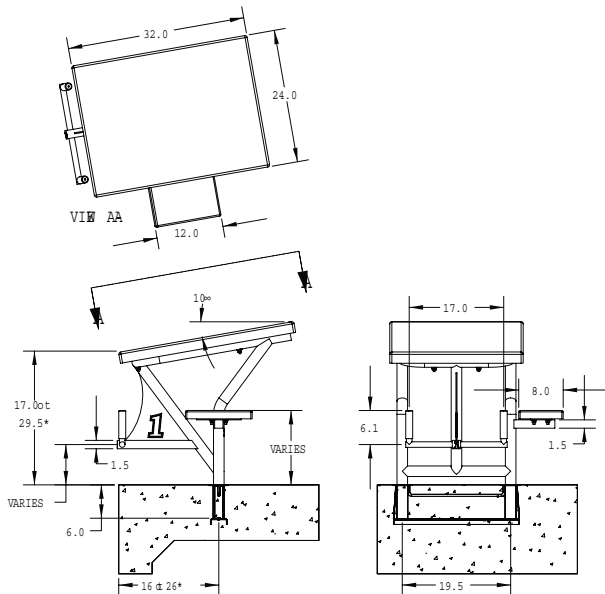
Legacy Long Reach Starting Platform



PART NUMBER	A	B	C	F*
Legacy 30-30 thru 40-30	30	35.00	18.00	30 thru 40
Legacy 30-29.5 thru 40-29.5	29.5	34.50	17.50	30 thru 40
Legacy 30-29 thru 40-29	29	34.00	17.00	30 thru 40
Legacy 30-28.5 thru 40-28.5	28.5	33.50	16.50	30 thru 40
Legacy 30-28 thru 40-28	28	33.00	16.00	30 thru 40
Legacy 30-27.5 thru 40-27.5	27.5	32.50	15.50	30 thru 40
Legacy 30-27 thru 40-27	27	32.00	15.00	30 thru 40
Legacy 30-26.5 thru 40-26.5	26.5	31.50	14.50	30 thru 40
Legacy 30-26 thru 40-26	26	31.00	14.00	30 thru 40
Legacy 30-25.5 thru 40-25.5	25.5	30.50	13.50	30 thru 40
Legacy 30-25 thru 40-25	25	30.00	13.00	30 thru 40
Legacy 30-24.5 thru 40-24.5	24.5	29.50	12.50	30 thru 40
Legacy 30-24 thru 40-24	24	29.00	12.00	30 thru 40
Legacy 30-23.5 thru 40-23.5	23.5	28.50	11.50	30 thru 40
Legacy 30-23 thru 40-23	23	28.00	11.00	30 thru 40
Legacy 30-22.5 thru 40-22.5	22.5	27.50	10.50	30 thru 40
Legacy 30-22 thru 40-22	22	27.00	10.00	30 thru 40
Legacy 30-21.5 thru 40-21.5	21.5	26.50	9.50	30 thru 40
Legacy 30-21 thru 40-21	21	26.00	9.00	30 thru 40
Legacy 30-20.5 thru 40-20.5	20.5	25.50	8.50	30 thru 40
Legacy 30-20 thru 40-20	20	25.00	8.00	30 thru 40

*In 2" increments

Legacy Side Mount Starting Platform



Legacy II Starting Platforms



Legacy II

NOTE: Frame available in polished steel only



Legacy II Side Mount

Legacy II Starting Platform

The Legacy II is an economical choice for recreational swimming facilities.

- Setback: 18" anchor set back
- Height: 17" to 29.5" from deck edge to top front edge of platform
- Footboard: 24" wide x 20" deep, sanded tread for safety
- The 1.90", .145" wall 304 stainless steel tubing is electropolished for added corrosion resistance
- Use with the dual post anchor assembly for easy installation
- Meets FINA, NCAA, NFSHSA, USMS, USAS and competition pool rules and regulations

Legacy II Side Mount Starting Platform

The Legacy II Side Mount is an ideal solution for narrow bulkheads or pools with limited deck space.

- Setback: 16" to 26" anchor set back
- Height: 17" to 29.5" from deck edge to top front edge of platform
- Footboard: 24" wide x 32" deep, sanded tread for safety
- The 1.90", 304 stainless steel tubing is powder coated for added corrosion resistance
- Use with the new dual post RockSolid Anchor that eliminates platform rocking, allowing swimmers to have more consistent starts
- Meets FINA, NCAA, NFSHSA, USMS, USAS and competition pool rules and regulations

Item No.	Description	Shipping Wt.		L	W	H
Legacy II	Legacy II with anchor	65 lbs.	(2 boxes)	45" 25"	27" 10"	30" 3"
LGCY2 SIDEMNT	Legacy II Side Mount with anchor	varies	(2 boxes)	45" 25"	27" 10"	30" 3"
27-108	RockSolid Dual Post Anchor	15 lbs.		25"	10"	3"

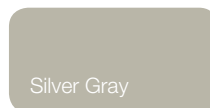
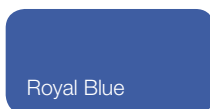
*Add A to the end of the part number to order without an anchor

NOTE: Can be customized with team logos and colors for an additional charge. Call for quote.

RockSolid Dual Post Anchor



Frame Colors (Legacy II Side Mount Only)

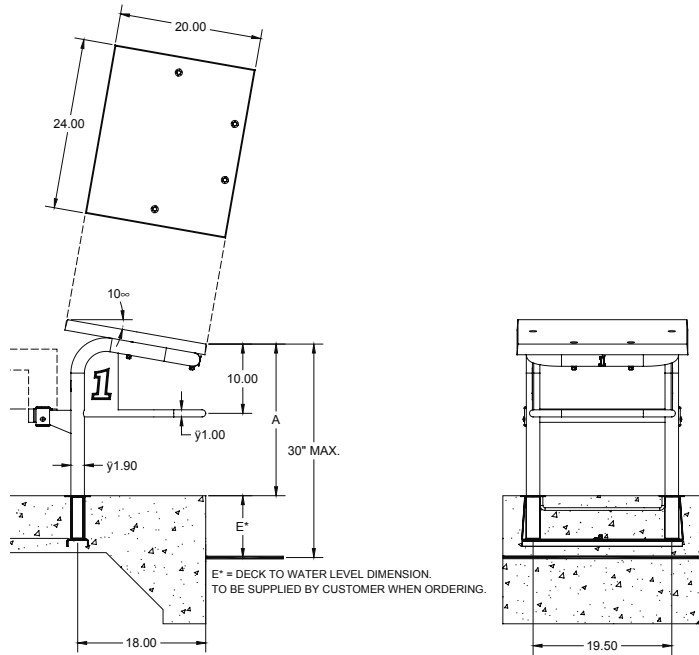


Tread Colors



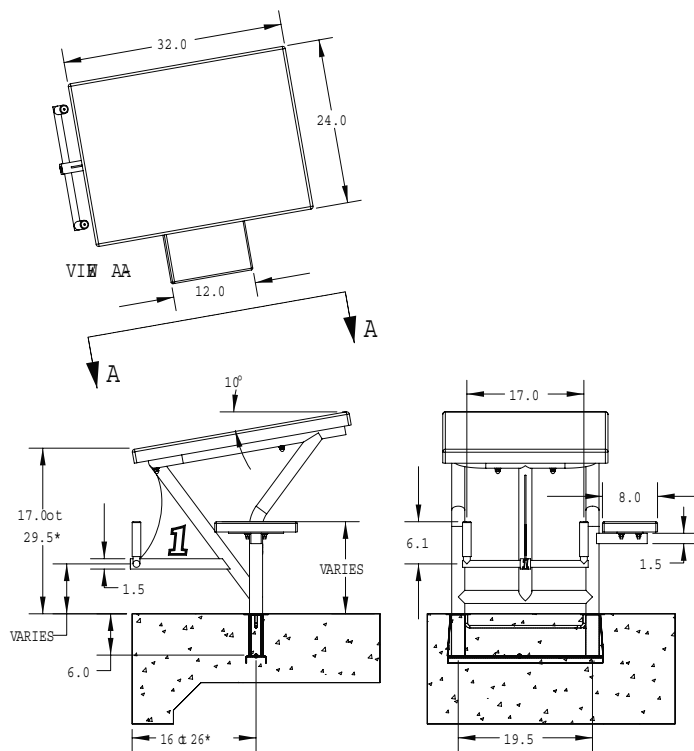
*Custom colors also available.

Legacy II Starting Platform



A	B	DECK TO WATER LEVEL
30.0	16.5	0.0
29.5	16.0	0.5
29.0	16.0	1.0
28.5	15.5	1.5
28.0	15.5	2.0
27.5	15.0	2.5
27.0	15.0	3.0
26.5	14.5	3.5
26.0	14.5	4.0
25.5	14.0	4.5
25.0	14.0	5.0
24.5	13.5	5.5
24.0	13.5	6.0
23.5	13.0	6.5
23.0	13.0	7.0
22.5	12.5	7.5
22.0	12.5	8.0
21.5	12.0	8.5
21.0	12.0	9.0
20.5	11.5	9.5
20.0	11.5	10.0
19.5	11.0	10.5
19.0	11.0	11.0
18.5	10.5	11.5
18.0	10.5	12.0
17.5	10.0	12.5
17.0	10.0	13.0

Legacy II Side Mount Starting Platform



RecordQuest™ Starting Platforms



RecordQuest



RecordQuest Long Reach

The RecordQuest is an elite model starting platform available with starting strobes for faster starts.

All RecordQuest starting platforms

- Footboard: 24" wide x 32" deep, gel-coated outer surface with a non-slip SureFoot tread
- The 2.5" square, 304 stainless steel tubing is powder-coated for added corrosion resistance
- Choose from 4 different backstroke handle designs, see page 107
- Use with the RockSolid anchor that eliminates platform rocking, allowing swimmers to have more consistent starts
- Meets FINA, NCAA, NFSHSA, USMS, USAS and competition pool rules and regulations

RecordQuest Standard

- Setback: 21" to 26" anchor set back
- Height: 17" to 29.5" from deck edge to top front edge of platform

RecordQuest Long Reach

The solution for pools with wide or parapet gutter systems

- Setback: 30" to 40" anchor set back
- Height: 20" to 29.5" from deck edge to top front edge of platform

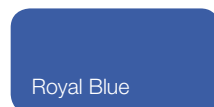
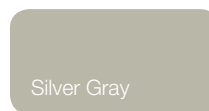
Item No.	Description	Shipping Wt.	L	W	H
CH-SP-9999-01	RecordQuest with anchor, no Strobe	90 lbs. (2 boxes)	45" 8"	27" 8"	30" 6"
CH-SP-9999-11	RecordQuest – 1 Strobe with anchor	90 lbs. (2 boxes)	45" 8"	27" 8"	30" 6"
CH-SP-9999-21	RecordQuest – 2 Strobes with anchor	90 lbs. (2 boxes)	45" 8"	27" 8"	30" 6"
CHLR1-9999-01	RecordQuest Long Reach with anchor, no Strobe	varies, call for details			
CHLR1-9999-11	RecordQuest Long Reach – 1 Strobe with anchor	varies, call for details			
CHLR1-9999-21	RecordQuest Long Reach – 2 Strobe with anchor	varies, call for details			
27-107	RockSolid Anchor		8"	8"	6"
20-191	Safety Cap for Anchor	1 lb.			

*Add A to the end of the part number to order without an anchor

*The RecordQuest™ is available in different combinations including and excluding strobes and anchors.

NOTES: Wiring and interface box not included. Order separately. Number of steps (1 or 2) will vary depending on setback and height of starting platform. Can be customized with team logos and colors for an additional charge. Call for quote.

Frame Colors



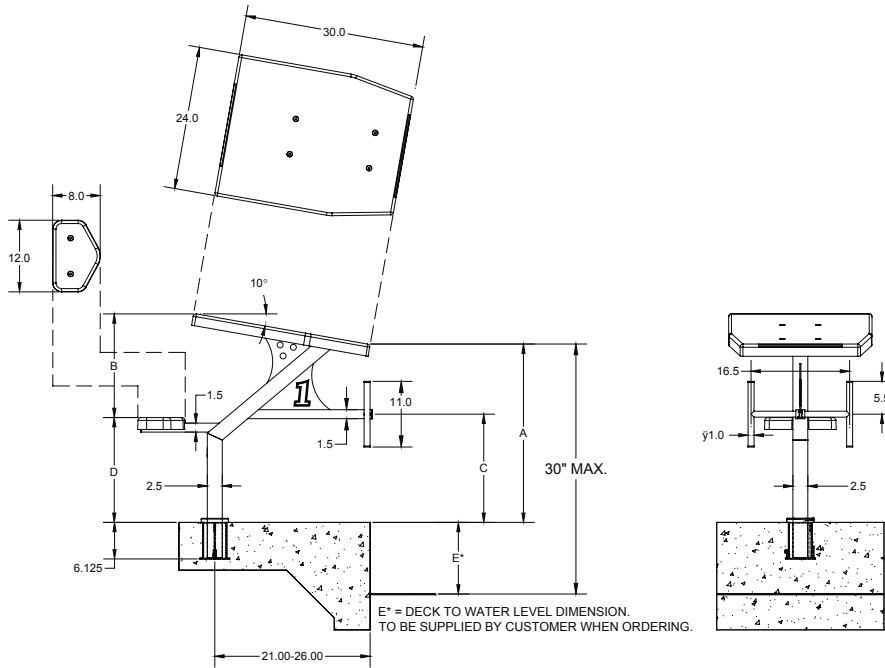
Custom colors also available.

Tread Colors



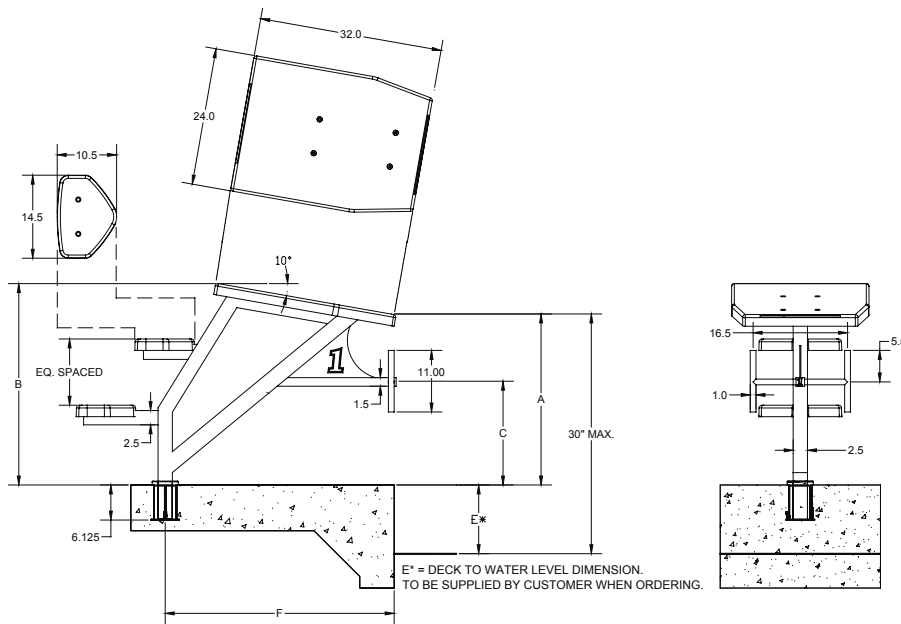
Custom colors also available.

RecordQuest



PART NUMBER	A*	B	C	D
CH26-30	30	17.42	18.00	17.50
CH26-29.5	29.5	17.42	17.50	17.00
CH26-29	29	17.42	17.00	16.50
CH26-28.5	28.5	17.42	16.50	16.00
CH26-28	28	17.42	16.00	15.50
CH26-27.5	27.5	17.42	15.50	15.00
CH26-27	27	17.42	15.00	14.50
CH26-26.5	26.5	17.42	14.50	14.00
CH26-26	26	17.42	14.00	13.50
CH26-25.5	25.5	17.42	13.50	13.00
CH26-25		17.42	13.00	12.50
CH25-24.5	24.5	15.46	12.50	14.00
CH25-24	24	15.46	12.00	13.50
CH24-23.5	23.5	14.96	11.50	13.50
CH24-23	23	14.96	11.00	13.00
CH23-22.5	22.5	13.71	10.50	13.75
CH23-22	22	13.71	10.00	13.25
CH23-21.5	21.5	13.71	9.50	12.75
CH23-21	21	13.71	9.00	12.25
CH23-20.5	20.5	13.71	8.50	11.75
CH23-20	20	13.71	8.00	11.25
CH22-19.5	19.5	12.71	7.50	11.75
CH22-19	19	12.71	7.00	11.25
CH22-18.5	18.5	12.71	6.50	10.75
CH21-18	18	11.46	6.00	11.50
CH21-17.5	17.5	11.46	5.50	11.00
CH21-17	17	11.46	5.00	10.50

RecordQuest Long Reach



PART NUMBER	A	B	C	F*
CH30-30 thru CH40-30	30	35.00	18.00	30 thru 40
CH30-29.5 thru CH40-29.5	29.5	34.50	17.50	30 thru 40
CH30-29 thru CH40-29	29	34.00	17.00	30 thru 40
CH30-28.5 thru CH40-28.5	28.5	33.50	16.50	30 thru 40
CH30-28 thru CH40-28	28	33.00	16.00	30 thru 40
CH30-27.5 thru CH40-27.5	27.5	32.50	15.50	30 thru 40
CH30-27 thru CH40-27	27	32.00	15.00	30 thru 40
CH30-26.5 thru CH40-26.5	26.5	31.50	14.50	30 thru 40
CH30-26 thru CH40-26	26	31.00	14.00	30 thru 40
CH30-25.5 thru CH40-25.5	25.5	30.50	13.50	30 thru 40
CH30-25 thru CH40-25	25	30.00	13.00	30 thru 40
CH30-24.5 thru CH40-24.5	24.5	29.50	12.50	30 thru 40
CH30-24 thru CH40-24	24	29.00	12.00	30 thru 40
CH30-23.5 thru CH40-23.5	23.5	28.50	11.50	30 thru 40
CH30-23 thru CH40-23	23	28.00	11.00	30 thru 40
CH30-22.5 thru CH40-22.5	22.5	27.50	10.50	30 thru 40
CH30-22 thru CH40-22	22	27.00	10.00	30 thru 40
CH30-21.5 thru CH40-21.5	21.5	26.50	9.50	30 thru 40
CH30-21 thru CH40-21	21	26.00	9.00	30 thru 40
CH30-20.5 thru CH40-20.5	20.5	25.50	8.50	30 thru 40
CH30-20 thru CH40-20	20	25.00	8.00	30 thru 40

* In 2" increments

Varsity Deluxe Starting Platforms



A41795-1



A41796-1

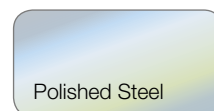
NOTE:
Lane markers (#0-9 only) are optional

These low-profile starting platforms are ideal for swimmers that are just learning to start off a platform.

- Order the 18" model when your water depth is 4'-6' and your deck to water dimension is 6" or less.
- Order the 30" model when your water depth is 6' or more and your deck to water dimension is 12" or less.
- Setback: 26.5" anchor set back
- Height: 12" to 29.5" from deck edge to top front edge of platform
- Footboard: 22" wide x 22" deep, sanded tread for safety
- 1.90", 316L stainless steel tubing
- Meets FINA, NCAA, NFSHSA, USMS, USAS and competition pool rules and regulations

Item No.	Description	Shipping Wt.	L	W	H
A41795-1	18" Deluxe Starting Platform	44 lbs.	32"	34"	22"
A41796-1	30" Deluxe Starting Platform	49 lbs.	35"	32"	24"

Frame Color



Tread Colors

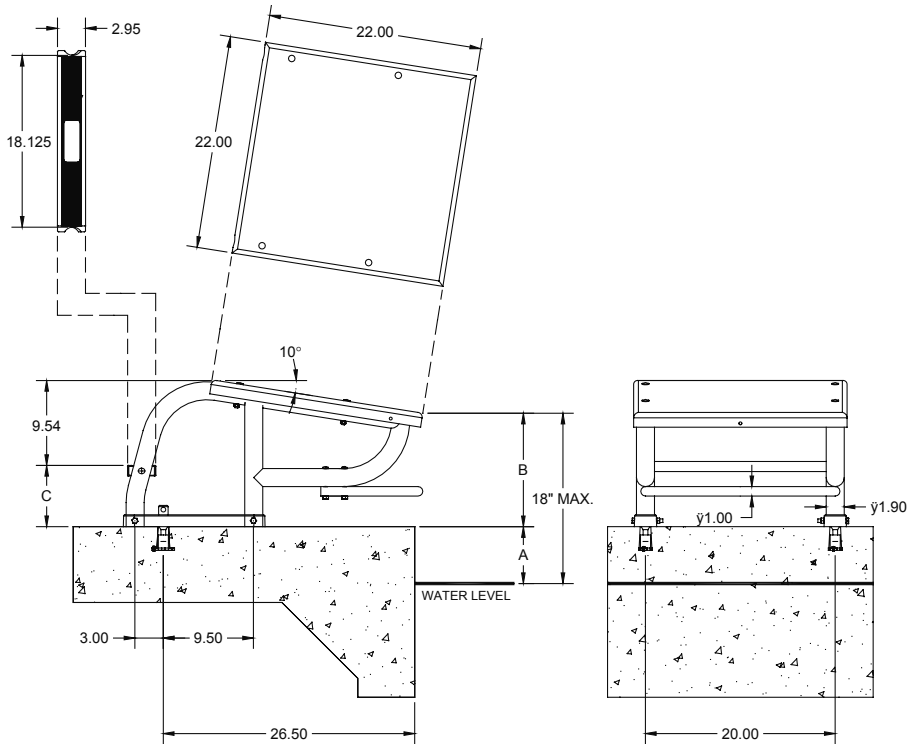


*Custom colors also available.

A41659-0
Flush Anchor (pair)

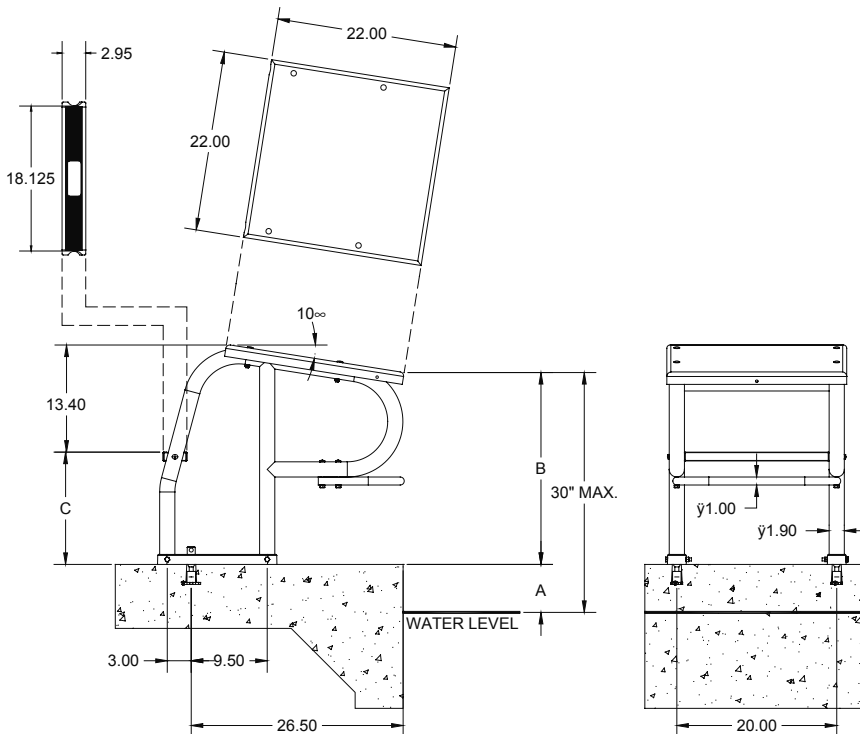


Varsity Deluxe 18"



A	B	C
0.0	18.00	11.61
0.5	17.50	11.11
1.0	17.00	10.61
1.5	16.50	10.11
2.0	16.00	9.61
2.5	15.50	9.11
3.0	15.00	8.61
3.5	14.50	8.11
4.0	14.00	7.61
4.5	13.50	7.11
5.0	13.00	6.61
5.5	12.50	6.11
6.0	12.00	5.61

Varsity Deluxe 30"



A	B	C
0.0	30.00	19.75
0.5	29.50	19.25
1.0	29.00	18.75
1.5	28.50	18.25
2.0	28.00	17.75
2.5	27.50	17.25
3.0	27.00	16.75
3.5	26.50	16.25
4.0	26.00	15.75
4.5	25.50	15.25
5.0	25.00	14.75
5.5	24.50	14.25
6.0	24.00	13.75
6.5	23.50	13.25
7.0	23.00	12.75
7.5	22.50	12.25
8.0	22.00	11.75
8.5	21.50	11.25
9.0	21.00	10.75
9.5	20.50	10.25
10.0	20.00	9.75
10.5	19.50	9.25
11.0	19.00	8.75
11.5	18.50	8.25
12.0	18.00	7.75

Universal Starting Platform



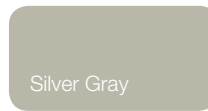
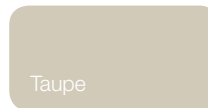
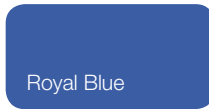
The Universal is a premium starting platform appropriate for beginning swimmers to world class athletes.

- Setback: 21" to 26" anchor set back
- Height: 19" to 29.5" from deck edge to top front edge of platform
- Footboard: 24" wide x 32" deep, high impact, laminated core reinforced with fiberglass in an acrylic skin with a non-slip SureFoot tread
- The 2.5" square, 304 stainless steel tubing is powder-coated for added corrosion resistance
- Choose from 4 different backstroke handle designs, see page 107
- Use with the RockSolid anchor that eliminates platform rocking, allowing swimmers to have more consistent starts
- Meets FINA, NCAA, NFSHSA, USMS, USAS and competition pool rules and regulations

Item No.	Description	Shipping Wt.	L	W	H
USB-9999A	Universal Starting Platform (no anchor)	100 lbs.	varies — call for details		
27-107	RockSolid Anchor	8 lbs.	8	8	6

NOTE: Can be customized with team logos and colors for an additional charge. Call for quote.

Frame Colors

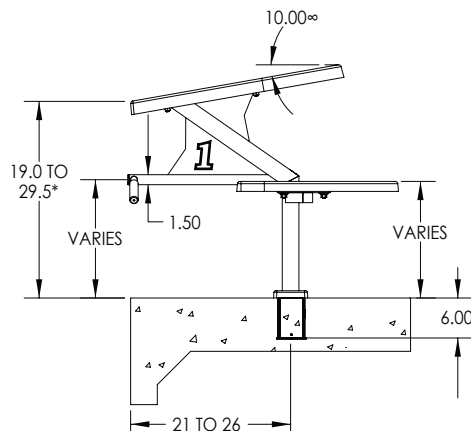
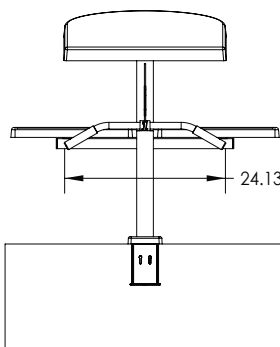
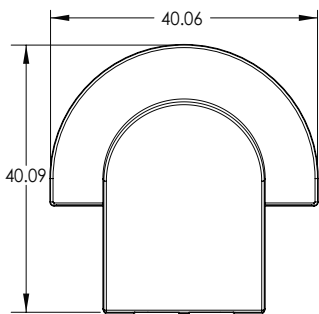


Tread Colors



Custom colors also available.

Custom colors also available.



RockSolid™ Anchor



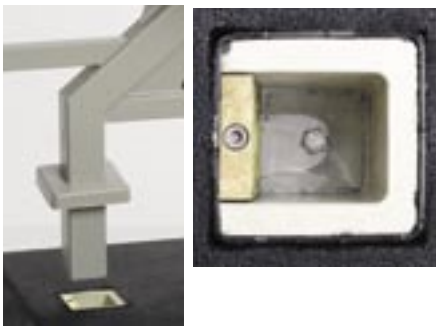
Never worry about loose platforms again! We have created a new anchor system with a “no wobble” guarantee.

The anchor securely “hugs” the frame and can be tightened with minimal effort. The RockSolid™ Anchor allows for permanent or removable starting platform installation.

Standard Features

- Heavy duty welded 304 stainless steel construction
- Fully adjustable wedge assembly will expand and exert continuous, even pressure on the platform post to prevent starting platform movement
- Standard or optional safety anchor cap can be used when starting platform is removed
- Anchor cap removal tool included
- Grounding lug

Never use shims again!



RockSolid™ Anchor Safe-T-Cap (optional)

- Heavy duty welded 304 stainless steel construction
- Utilizes same wedge bolt to tighten and secure in place
- Sits flush to the deck when in place



Item No.	Description	Shipping Wt.	L	W	H
27-107	RockSolid™ Anchor and Cap	8 lbs.	8"	8"	6"
27-108	RockSolid™ Dual Post Anchor	15 lbs.	25"	10"	3"
4-113-1	Standard Anchor Cap	1 lb.			
20-191	Safe-T-Cap Anchor Cap	3 lbs.	8"	8"	6"
20-241	Wedge Assembly	1 lb.			

RockSolid™ Anchor and Safe-T-Cap

Safe-T-Cap not included with RockSolid™ Anchor

RockSolid Dual Post Anchor





Water Features

As homeowners spend more time at home and seek ways to increase property values, the popularity and demand for unique, interactive water features continues to increase. As a pool builder, this emerging category uses your existing skill set and opens up more opportunities for your business – anyone with a yard is now your customer.

Outside the Box Uses

Splash pads aren't just for the big water parks anymore. Splash pads are appearing in backyards, day care centers, medical centers and even dog parks! Our WetDek is available in two types of kits: poolside and standalone. The poolside kit is designed to draw water from and drain back into the pool, and the standalone kit comes with a 150 gallon reservoir to hold the water.

No Two Are the Same

One of the great things about splash pads is that they are scalable and customizable. Whether you have a tiny backyard or a large sprawling lawn, you can design a water feature that works for your space. Our WetDek kits are available with 6, 9, or 12 jets. These jets can be laid out in a wide variety of configurations or shapes – splash pads aren't just limited to a circle or square – they can be a diamond, kidney or completely freeform. Or, you can use our AquaDirector™ control system which allows you to operate your own custom splash pad. Build your own custom pad with laminar jets, fiber optic lighting, or whatever you want and let the AquaDirector manage the activity.

Surface Options

The number of surface options are almost endless. Colored and textured concrete is the most popular, and most often used. However, we've known installers to use products like Pebble Flex or even sealed pavers. As long as the surface material will allow water to run down into the drain and back to the pool or be cycled through the reservoir, it can be used. For landscape features you can use river rock and a pond liner to create a natural looking water feature. Whichever surface material you use, make sure it's slip resistant if you plan on using your water feature as a play area.

Awards

The WetDek Backyard Splash Pad was voted one of the "Top 50 Products of 2009" by readers of Pool and Spa News!



Testimonials

"Regal Ranch is known for its exciting and interactive special events, so when it was time to upgrade our toddler pool we decided to add a WetDek Splash Pad. When we opened the pools for the season we couldn't believe the amount of families all wanting to play in the WetDek! We have had more family interaction in the toddler pool area than we have ever seen in the history of the Ranch! Thank you for creating such a great product at a great price and being so easy to work with."

Walter Nelson, CEO
Regal Ranch, Texas



Contact our WetDek expert today at 877.493.8335



Bronze Deck Jet

WetDek Splash Pad Kit

The WetDek is part of the latest trend in zero-depth interactive water features that can be made into backyard splash parks, elegant fountain displays, poolside attractions or soothing water features designed for the landscaping

- Available in 6, 9, or even 12 jet kits
- Water spouts can be adjusted to spray water from a few inches to over 12 feet into the air
- The AquaDirector (control box) can be controlled by any of the leading control systems, such as EasyTouch and Intellitouch.
- For residential applications only. For commercial projects, see the AquaDirector on page 121.

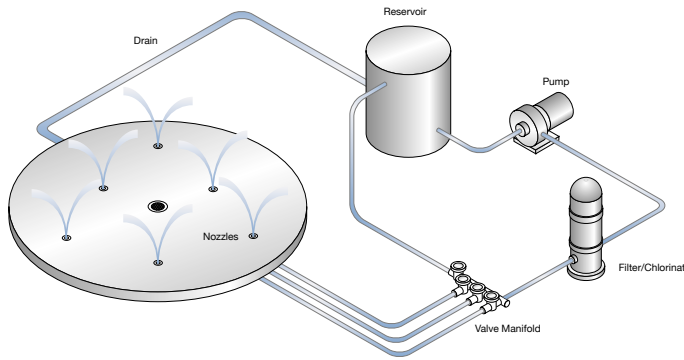
Model No.	Description	Shipping Wt.	L	W	H
938-339-6	6 Jet Stand Alone	175 lbs.	32"	40"	55"
938-339-9	9 Jet Stand Alone	180 lbs.	32"	40"	55"
938-339-12	12 Jet Stand Alone	185 lbs.	32"	40"	55"
938-335-6	6 Jet, Pool Kit	35 lbs.	24"	12"	11"
938-335-9	9 Jet, Pool Kit	40 lbs.	24"	12"	11"
938-335-12	12 Jet, Pool Kit	45 lbs.	24"	12"	11"

Components

Model No.	Description	Shipping Wt.
30011	AquaDirector control box	6 lbs.
31005	Bronze jet, 5/16" nozzle	1 lb.
31006	Bronze jet, 1/4" nozzle	1 lb.
30007	Globe valve	
30004	150 gallon reservoir	
30013	8" plastic drain	
30014	6" ABS to 4" PVC converter	

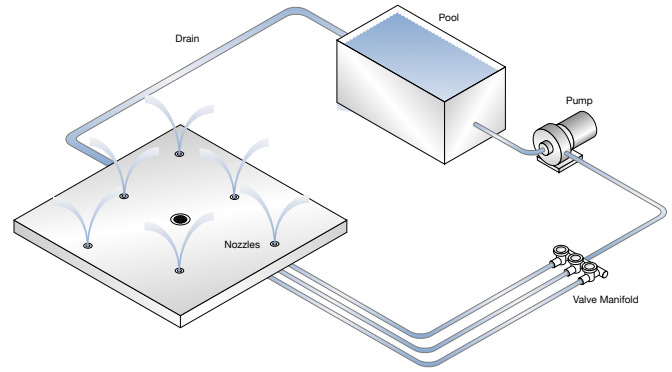


Stand-alone Kit



Stand-alone version includes jets, drain, water reservoir, inline chlorinator, filter, valves, pump, and AquaDirector control box. Everything you need excluding piping runs and surfacing material.

Pool Kit



Pool Kit includes jets, valves, drain and AquaDirector control box. Everything you need excluding piping runs and surfacing material.

AquaDirector— Water Feature Control Box



The AquaDirector can be turned on from any wireless remote such as an EasyTouch or Intellitouch. The AquaDirector can also be attached to a remote activator that will allow the users to start the system from a remote location or by a timer!

- Ideal for residential or commercial applications
- Can adapt to 4 different voltages from 120, 208, 240 & 277.
- Control up to 3 zones operated at 24V and operate any 24V valve water feature!
- Control water features with 5 unique programs:
 - + Alternating 1 zone
 - + Alternating 2 zone
 - + Random
 - + All zones
 - + Cycle through programs 1-4
 - + Plus – one recirculation line that will run once a day to keep the water clean!

Model No.	Description	Shipping Wt.
30011	AquaDirector control box	6 lbs.

Anchors & Anchor Accessories

Universal Anchor

- 6" deep, includes 2" spacer to create 4" socket where required
- Injection molded plastic — resists corrosion
- Includes bronze wedge with stainless steel bolt and 1/4-20 UNC ground screw
- Anchor cap included for flush look
- Recommended for rails and games

Part No.	Description	Shipping Wt.
AS-100P	1 anchor	1 lb



6" Bronze Anchor

- This anchor does not utilize any wedges
- The anchor cap provides a flush look when games are removed
- 1/4-20 UNC brass ground screw for bonding
- Recommended for rails and games

Part No.	Description	Shipping Wt.
AS-100EB	1 socket w/o cover	2 lbs
AS-100EC	bronze perforated cover	.5 lb



6" Bronze Anchor

- 6" deep
- Drilled hole in bottom allows drainage
- No wedge, but includes 1/4-20 UNC ground screw
- Accommodates 1.90" OD round tubing
- Anchor cap included for flush look
- Recommended for games

Part No.	Description	Shipping Wt.
AS-100D	1 anchor	2.2 lbs
8-412	Cap (included)	.5 lb



4" Bronze Anchor

- 4" deep
- Accommodates 1.90" OD tubing
- Includes bronze wedge, washer, bolt and 1/4-20 UNC grounding bolt
- Recommended for rails

Part No.	Description	Shipping Wt.
AS-100B	1 anchor	2 lbs
8-409A	Wedge kit (included)	1 lb



4" Bronze Anchor (1.50")

- 4" deep
- Accommodates 1.50" OD tubing
- Includes bronze wedge, washer, bolt and 1/4-20 UNC grounding bolt
- Recommended for rails

Part No.	Description	Shipping Wt.
AS-200B	1 anchor	2 lbs
8-411A	Wedge (included)	.2 lb



3" Bronze Anchor

- 3" deep
- Accommodates 1.90" OD tubing
- Includes wedge, washer, bolt and 1/4-20 UNC grounding screw
- Recommended for rails

Part No.	Description	Shipping Wt.
AS-100C	1 anchor	2 lbs
8-410-A	Wedge kit (included)	1 lb



4" Bronze Institutional Anchor

- 4" deep, for 1.90" OD fixtures
- Includes bronze wedge, bolt and washer
- Recommended for commercial rails and lifeguard stands

Part No.	Description	Shipping Wt.
IAS-100	1 anchor	3 lbs



Anchor Cover Plate

- 304 stainless steel
- For use with IAS-100 or IAA-100 anchor

Part No.	Description	Shipping Wt.
CP-100	1 cover plate	.8 lb

4" Bronze Institutional Anchor Assembly

- 4" deep, for 1.90" OD fixtures
- For additional security, the stainless steel plate extends below the base of the anchor socket
- Includes steel plate, neoprene gasket, flat washer, hex nut, anchor socket, keyhole pin, 1/2" x 6" bolt, tile stop collar and escutcheon
- Hole in bottom for drainage
- Recommended for commercial rails and lifeguard stands

Part No.	Description	Shipping Wt.
IAA-100	1 anchor assembly	10 lbs



RockSolid™ Starting Platform Anchor

- Accommodates 2.5" square tubing
- Adjustable wedge assembly exerts continuous, even pressure on the platform post to eliminate platform movement
- Anchor cap included
- Safe-T-Cap: utilizes the anchor's wedge bolt to tighten and secure in place.
- Recommended for single-post starting platforms: Legacy, RecordQuest & Universal

Part No.	Description	Shipping Wt.
27-107	1 anchor	5 lbs
4-113-1	Anchor cap	1 lb
20-191	Safe-T-Cap	3 lbs



RockSolid™ Dual Post Starting Platform Anchor

- Accommodates 1.90" OD round tubing
- Adjustable wedge assembly exerts continuous, even pressure on the platform post to eliminate platform movement
- Anchor caps included
- Recommended for Legacy II starting platforms

Part No.	Description	Shipping Wt.
27-108	1 anchor set	15 lbs



Dual Post Starting Platform Anchor

- Accommodates 1.90" OD round tubing
- Includes a 1/4-20 UNC grounding screw
- Anchor caps included
- Recommended for dual-post starting platforms: Legacy II standard only

Part No.	Description	Shipping Wt.
27-105	1 anchor set	5 lbs



Double Anchor Socket Assembly

- Accommodates 1⁵/₈" OD ring rails
- Includes bronze wedge, nuts, washers, 1/4-20 UNC grounding screw and escutcheons
- Recommended for residential and commercial ring handrails

Part No.	Description	Shipping Wt.
34-305A	Aluminum anchor	10 lbs
34-306A	Bronze anchor	13 lbs
8-415A	Gibraltar Wedge Retro-fit kit	1 lb
8-420	Double escutcheon plate	1 lb
8-420-CP	Chrome plated bauble escutcheon plate	1 lb
4-111	Stabilizer plug	.5 lb



Flush Anchor Pair

- Sold as a pair to be used with the two piece anchor plate
- Anchors are 2.5" long and have 1" diameter at the top
- Includes anchor bolts, decorative filler screws, bonding screws and washers
- Recommended for Varsity Cantilever starting platforms (included)

Part No.	Description	Shipping Wt.
A41659-0	1 pair	2 lbs



Escutcheons

Double Escutcheon Plate

- Recommended for residential and commercial ring handrails

Part No.	Description	Shipping Wt.
8-420	1 double escutcheon	1 lb



Oblong Escutcheon

- Chrome-plated cast brass
- 4" long
- For use with 1.90" OD tubing
- Equipped with stainless steel set screws
- Recommended for the IAS-100 anchor (included)

Part No.	Description	Shipping Wt.
IEP-100	1 escutcheon	1 lb



Oblong Escutcheon (1.90")

- 304 stainless steel
- For use with 1.90" OD tubing
- Recommended for rails and bronze anchors

Part No.	Description	Shipping Wt.
EP-100A	1 escutcheon	.25 lb



Round Escutcheon (1.90")

- 304 stainless steel
- 4.5" in diameter
- For use with 1.90" OD tubing
- Recommended for rails and games

Part No.	Description	Shipping Wt.
EP-100F	Stainless Steel	.5 lb
EP-100F-PW	Pearl White	.5 lb
EP-100F-RG	Rock Gray	.5 lb
EP-100F-SG	Silver Gray	.5 lb
EP-100F-TP	Taupe	.5 lb
EP-100F-VW	Vinyl White	.5 lb
EP-100F-VT	Vinyl Taupe	.5 lb
EP-100F-VG	Vinyl Gray	.5 lb



Round Escutcheon (1.625")

- 304 stainless steel
- 3 1/4" in diameter
- For use with 1.625" OD tubing
- Recommended for P-rails

Part No.	Description	Shipping Wt.
EP-103	1 escutcheon	.2 lb



Snap-Tite Escutcheon

- High-density plastic
- 5³/₁₆" in diameter
- For use with 1.90" OD tubing
- Recommended for rails and games

Part No.	Description	Shipping Wt.
EP-200-MC	Chrome	.25 lb
EP-200-PW	Pearl White	.25 lb
EP-200-RB	Royal Blue	.25 lb
EP-200-SG	Silver Gray	.25 lb
EP-200-PG	Pewter Gray	.25 lb
EP-200-TP	Taupe	.25 lb



Round Escutcheon (1.50")

- 304 stainless steel
- 4.5" in diameter
- For use with 1.50" OD tubing

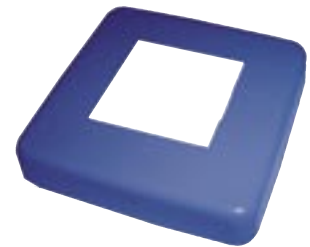
Part No.	Description	Shipping Wt.
EP-150	1 escutcheon	.5 lb



RecordQuest™ Escutcheon

- 304 stainless steel, powder coated
- 5.25" square
- For use with RecordQuest starting platforms

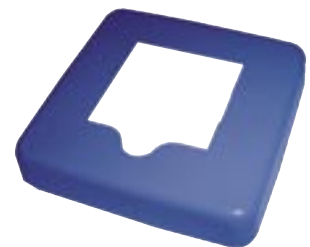
Part No.	Description	Shipping Wt.
EP-300-RB	1 escutcheon	.5 lb



RecordQuest™ Long Reach Escutcheon

- 304 stainless steel, powder coated
- 5.25" square
- For use with RecordQuest Long Reach starting platforms

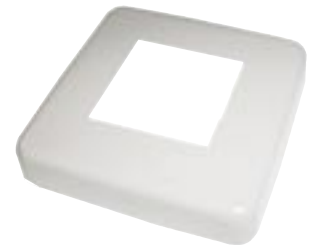
Part No.	Description	Shipping Wt.
EP-305-RB	1 escutcheon	.5 lb



Legacy Escutcheon

- 304 stainless steel, powder coated
- 5.25" square
- For use with Legacy single-post starting platforms

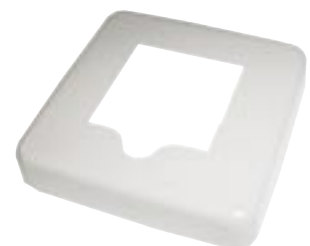
Part No.	Description	Shipping Wt.
EP-300-SG	1 escutcheon	.5 lb



Legacy Long Reach Escutcheon

- 304 stainless steel, powder coated
- 5.25" square
- For use with Legacy Long Reach single-post starting platforms

Part No.	Description	Shipping Wt.
EP-305-SG	1 escutcheon	.5 lb

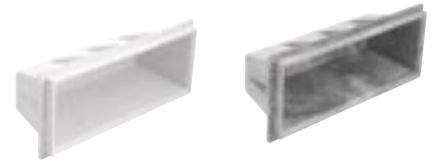


Ladder Parts & Accessories

17.5" Recessed Step

- Injection molded plastic
- Textured stepping surface for safety
- 17.5" x 7" at outer edges of lip

Part No.	Description	Shipping Wt.
62-209-4001	White	2 lbs
62-209-4002	Black	2 lbs



20" Safety-Pool Step Retrofit Kit

- Heavy-duty molded plastic
- Textured stepping surface for safety
- Available in 2, 3, 4, or 5 step kits
- Includes treads, protective side skirts and mounting hardware (US thread)
- Residential ladders have 10" spacing between steps, commercial ladders have 12"

Residential Kits

Part No.	Description	Shipping Wt.
62-209-502R	2-Step Kit	10 lbs
62-209-503R	3-Step Kit	12 lbs
62-209-504R	4-Step Kit	18 lbs

Commercial Kits

Part No.	Description	Shipping Wt.
62-209-602C	2-Step Kit	12 lbs
62-209-603C	3-Step Kit	15 lbs
62-209-604C	4-Step Kit	18 lbs
62-209-605C	5-Step Kit	21 lbs



19" Econoline Plastic Tread

- Heavy-duty plastic
- 3" deep x 18⁵/₁₆" wide, 17¹/₄" centerline mounting distance
- Available in 2, 3, 4, or 5 step kits
- Includes hardware
- Recommended for residential ladders

Part No.	Description	Shipping Wt.
LTDF-101	1 tread	
8-912E	2-tread kit, hardware	2.5 lbs
8-913E	3-tread kit, hardware	4 lbs
8-914E	4-tread kit, hardware	4.5 lbs
60-703	2-tread bolt package	.5 lb
60-704	3-tread bolt package	.75 lb



White HIP Tread

- White, molded high-impact plastic (HIP)
- 3" wide by 18" in length at the centerline
- Recommended for residential ladders

Part No.	Description	Shipping Wt.
A42073-0	1 tread	1 lb



20" Blow Molded Tread, no hardware

- White, blow molded plastic
- 4" wide and 18" in length at center line
- Recommended for residential ladders

Part No.	Description	Shipping Wt.
A42077-0	1 tread	1 lb



20" Elite Stainless Steel Tread

- 304 stainless steel
- 3" deep x 20" wide, 18¹/₄" centerline mounting distance
- Available in 2, 3, or 4 step kits
- Includes hardware
- Recommended for commercial or residential elite model ladders

Part No.	Description	Shipping Wt.
LTDF-103	1 tread	1 lb
8-912S	2-tread kit, hardware	3 lbs
8-913S	3-tread kit, hardware	6 lbs
8-914S	4-tread kit, hardware	7 lbs
60-701	2-tread bolt package	.5 lb
60-702	3-tread bolt package	.75 lb
6-300	End cap	.25 lb
6-301	Black insert	.25 lb



20" Elite Stainless Steel Tread (15° tilt)

- 304 stainless steel
- 3" deep x 20" wide, 18¹/₄" centerline mounting distance
- 15° forward tilt when properly installed
- Recommended for lifeguard stands

Part No.	Description	Shipping Wt.
LTDF-105	1 tread	1 lb
60-701	2-tread bolt package	.5 lb
60-702	3-tread bolt package	.75 lb



20" Plastic Tread

- High-impact plastic
- 4" deep x 20" wide, 18" centerline mounting distance
- Available in 2, 3, 4, or 5 step kits
- Includes hardware
- Recommended for commercial ladders

Part No.	Description	Shipping Wt.
LTDF-106	1 tread	1 lb
8-932	2-step kit, hardware	6 lbs
8-933	3-step kit, hardware	7 lbs
8-934	4-step kit, hardware	8 lbs
8-935	5-step kit, hardware	10 lbs
52470-102	Tread w/15° tilt and hardware	3 lbs
2350105	Tread w/15° tilt, only	2.2 lbs



Hinged Ladder Anchor

- Stainless steel hinge bracket pair
- Allows raising and lowering of new and existing ladders
- Installation requires 4" to be cut off of ladder
- Recommended for residential ladders

Part No.	Description	Shipping Wt.
A41657-0	Hinged ladder anchor	3.8 lbs
2463050	Hinge pin, female	.5 lb
2463060	Set screw	.5 lb
2463070	Hinge pin, male	.5 lb



Snap-Lok Hinge Bracket Assembly

- Stainless steel hinge bracket pair
- Retrofits existing ladders for raising and lowering
- Installation requires 4" to be cut off of ladder
- Recommended for Snap-lok ladders

Part No.	Description	Shipping Wt.
60-713	1 pair	4 lbs
5-116	3/8 -16 x 2 1/2" HH bolt	.1 lb
5-145	3/8" flat washer	.1 lb
5-156	3/8-16 acorn nut	.1 lb
8-118	Double button snap lock	.1 lb



White Rubber Bumper— Male

- Molded white rubber
- 2¹/₄" diameter
- For use on 1.90" tubing
- Recommended for ladders

Part No.	Description	Shipping Wt.
WRB-100A	1 bumper	.2 lb



White Rubber Bumper— Female

- Molded white rubber
- For use on 1.90" OD tubing with .049" to .065" wall thickness
- Recommended for ladders

Part No.	Description	Shipping Wt.
WRB-101A	1 bumper	.5 lb



Xpand-N-Lok Rubber Bumper — Male

- Molded blue rubber
- For use on 1.90" OD tubing with .049" to .065" wall thickness
- Recommended for ladders

Part No.	Description	Shipping Wt.
BRB-100EX	1 bumper	.2 lb



Flanges

Aluminum Deck-Mounted Anchor Flange Kit

- For surface-mounting equipment with 1.90" OD tubing
- Requires four 1/4" mounting bolts, not included
- Includes a 2³/₄" carbon steel bolt, bushing, two washers and a lock nut (US thread)
- Recommended for slides

Part No.	Description	Shipping Wt.
75-209-5866	4 flanges, hardware	4.5 lbs
75-209-5864	Hardware for 1 flange	.5 lb
75-209-5000	1 flange	1 lb



Plastic Deck-Mounted Anchor Flange Kit

- For surface-mounting equipment with 1.90" OD tubing
- Requires four mounting bolts, not included
- Includes a bolt, bushing, two washers and a lock nut (US thread)
- Recommended for slides

Part No.	Description	Shipping Wt.
75-209-5865	4 flanges, hardware	2 lbs
75-209-5864	Hardware for 1 flange	.25 lb
05-623	Single plastic flange	1 lb



Stand Tread Repair Kit

- For repairing minor damage to diving board tread
- Includes sandpaper, masking tape and gel coat

Part No.	Description	Shipping Wt.
67-209-9242	White	.75 lb
67-209-9243	Marine Blue	.75 lb
67-209-92421	Silver Gray	.75 lb
67-209-92420	Pewter Gray	.75 lb
67-209-92410	Taupe	.75 lb



Epoxy Kits

- Use to repair or install a diving board on an existing deck
- Includes epoxy resin, hardener and mounting bolts
- Recommended for diving board stands

Shipping Information		
L	W	H
8	8	6

Part No.	Description	Shipping Wt.
75-209-5868-SS	Kit with (4) 6"x1/2" bolts	4 lbs
75-209-5869-SS	Kit with (3) 6"x5/8" bolts	4 lbs
75-209-5874-SS	Kit with (5) 6"x1/2" bolts	6 lbs
75-209-5875-SS	Kit with (6) 6"x1/2" bolts	6 lbs
75-209-5876-SS	Kit with (3) 6"x1/2" bolts	4 lbs
75-209-5885-SS	Kit with (4) 7"x1/2" bolts	4 lbs
75-209-5879-SS	Kit with (4) 9"x1/2" bolts	4 lbs
75-209-5880-SS	Kit with (4) 10"x1/2" bolts	7 lbs
75-209-5889-SS	Kit with (3) 9"x1/2" bolts	8 lbs
75-209-5890-SS	Kit with (3) 10"x1/2" bolts	8 lbs

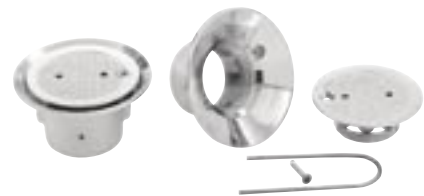


Circulation System Parts

Circular Flow Inlet Fittings

- Chrome plated cast brass
- Allows easy adjustment of flow rate and ensures smooth, even flow through return
- Includes lock screw and adjustment wrench

Part No.	Description	Shipping Wt.
A41014-0	1 outer body (2406600), control plate (A41497-0), and lock screw	1.5 lbs



Radiant Flow Inlet Fittings

- Chrome plated cast brass
- Features tamper-resistant adjustment screws
- Includes outer body, inner and outer control plates and three lock screws

Part No.	Description	Shipping Wt.
A41020-0	1 outer body (2402490), inner control plate, outer control plate, 3 lock screws	2.4 lbs
A41473-0	1 inner plate, outer plate, 3 lock screws	1 lb



Adjustable Direction Inlet Fittings

- Outer body and inner set rings are chrome-plated cast brass
- Inner directional flow fittings are made from chrome plated, solid brass rods
- Outer trim flange is 204 stainless steel

Part No.	Description	Shipping Wt.
A41024-4	Uni-Fit outer body, inner set ring, 1/2" inner directional fitting, outer trim flange	1.5 lbs
A41024-6	Uni-Fit outer body, inner set ring, 3/4" inner directional fitting, outer trim flange	1.5 lbs
A41024-8	Uni-Fit outer body, inner set ring, 1" inner directional fitting, outer trim flange	1.5 lbs
A41028-4	Inner set ring, 1/2" inner directional fitting, outer trim flange	.5 lb
A41028-6	1 inner set ring, 3/4" inner directional fitting, outer trim flange	.75 lb
A41028-8	1 inner set ring, 1" inner directional fitting, outer trim flange	1 lb



Leakless Flanges

- Use for mid-wall or through-wall connection for fittings and pipes
- One-piece, integrally cast brass fitting with 3/4" flange and NPT threads on both ends

Part No.	Description	Shipping Wt.
A41116-0	1 1/2" flange	2.25 lbs
A41119-0	2" flange	2.6 lbs



Heavy-Duty Controlled Flow Sight Glass

- Base and top are cast brass
- Sight glass is clear plexiglass
- Heavy-duty neoprene seals
- Threaded for insertion into a 1.5" female thread

Part No.	Description	Shipping Wt.
A41198-0	Sight glass	1.5 lbs



Uni-Fit Rectangular Gutter Drains and Grates

- 2^{11/16}" x 5^{5/8}", 2" drain opening
- Chrome-plated cast brass
- Includes drain, grate, and two tamper-resistant screws

Part No.	Description	Shipping Wt.
A41046-0	Drain and grate, includes 1 chrome-plated gate (2400490), 1 gutter drain (2500520) 2 tamper resistant screws (2024094)	2.8 lbs



Uni-Fit Maximum Protection 90° Drains & Grates

- 2¹/₈" x 5³/₈", 2" drain opening
- Chrome-plated cast brass
- Includes drain, grate, and four tamper-resistant screws

Part No.	Description	Shipping Wt.
A41035-0	Drain and grate, includes 1 90° grate (2401520) 1 90° gutter drain (2401540) 4 tamper resistant screws (2024207)	2.5 lbs



Deck Boxes

- Chrome-plated cast brass
- Approximately 3" deep, 3" ID
- UL and CSA International seals for quality in design

Part No.	Description	Shipping Wt.
A41192-0	Box with 3/4" openings	2.6 lbs
A41192-1	Box with 3/4" side openings and 1" bottom opening	2.6 lbs
A41192-2	Box with 1" openings	2.6 lbs
A41496-0	Hardware kit	.6 lb

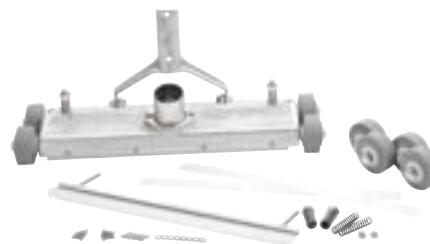


Vacuum Parts

Suck-It-Up™ Commercial Vacuum Head

- Chrome-plated cast brass
- 18" long x 5.5" wide
- Front and rear plastic wipers and nylon brush
- Available with threaded control or open control yoke
- Available for 1.5" or 2" vacuum hose diameter

Part No.	Description	Shipping Wt.
A41345-0	Head, 2" connector, threaded yoke	13.7 lbs
A41346-0	Head, 1.5" connector, open control yoke	13.7 lbs
A41347-0	Head, 2" connector, open control yoke	13.7 lbs
A41460-0	1.5" hose adapter kit	.85 lb
A41461-0	2" hose adapter kit	.7 lb
A41462-0	Threaded control yoke	1.25 lb
A41463-0	Open control yoke	1.25 lb
A41486-1	Wheel replacement kit	1.25 lb
A41487-0	Brusher/wiper replacement kit	1 lb



Vacuum Fittings (Concrete/Shotcrete)

- Chrome plated cast brass
- 1.5" female threads and 2" male threads
- Includes inner safety plug

Part No.	Description	Shipping Wt.
A41090-0	1 Uni-fit body (2403091), and 1 safety plug (2410921)	1.3 lbs



Vacuum Fittings (Fiberglass/Vinyl Liner/ Steel/Aluminum)

- Chrome plated cast brass
- 1.5" female threads and 2" male threads
- Includes brass lock nut with 2" female threads

Part No.	Description	Shipping Wt.
A41918-0	1 Uni-fit body (2403091), and 2 rubber gasket (2027370) and 1 lock nut (A50680)	1 lbs



Stanchion Parts & Accessories

Eyebolt/Expansion Shield

- Satin finish stainless steel
- Eye has a 2" OD
- Bolt is 1³/₈" long

Part No.	Description	Shipping Wt.
A41156-0	1 eyebolt (2401200), and expansion shield (2024320)	.5 lb



The Hook™ Rope Hook

- Chrome plated brass
- 3.75" long
- Accommodates a rope up to 3/5"
- Includes two set screws

Part No.	Description	Shipping Wt.
A41150-0	1 hook, 2 screws	.6 lb



Flush Anchor and Eyebolt Racing Line

- Cast brass anchor and threaded stainless steel eyebolt
- Eye has 2" OD
- Eye extends 2.5" beyond face of wall when completely inserted in anchor

Part No.	Description	Shipping Wt.
A41144-0	1 anchor, eyebolt	.5 lb
2400240	1 anchor	.25 lb
2400220	1 eyebolt	.25 lb



Rope Arrow Eyebolt Anchor™

- Chrome-plated cast brass
- 4" long, 1.5" installed
- Eye has 1.38" OD

Part No.	Description	Shipping Wt.
A41138-0	1 eyebolt	.25 lb



Line Cup Anchor with Eyebolt

- Chrome-plated cast brass
- Anchor cup is 3.25" in diameter, 3.75" deep
- Threaded eyebolt screws into anchor cup
- Eye has 2" OD
- Not Salt Pool Friendly

Part No.	Description	Shipping Wt.
A41141-0	1 cup anchor, eyebolt	1.5 lbs
2400222	1 eyebolt, washer	.3 lb



Miscellaneous Parts

U-Frame Fulcrum Cover

- Heavy-duty rubber
- 20" long
- Accommodates 1.90" OD tubing

Part No.	Description	Shipping Wt.
FC-100A	1 fulcrum cover	2.5 lbs

Shipping Information

L	W	H
20	2	2



Rapid-Fill Pool Fill Spouts

- 304 stainless steel, .049" wall
- US threaded connectors included

Part No.	Description	Shipping Wt.
A41242-0	1 1/2" fill spout	1.9 lbs
A41240-0	1" fill spout	1.4 lbs
A41227-0	3/4" fill spout	1.4 lbs



Split Tee Joining Connector

- 304 stainless steel
- Includes two steel connectors, bolts and nuts

Part No.	Description	Shipping Wt.
A41761-0	1 set	.85 lb



Hydrostatic Relief Valve

- Made from cut brass
- Not spring loaded

Part No.	Description	Shipping Wt.
A41452-0	1 valve	.5 lb



Product Care & Maintenance

Pool Rails and Ladders

Stainless Steel

Stainless steels are iron-based alloys that contain chromium, which combines with oxygen to form an invisible protective film on the surface; however it is not entirely stainless. With proper care, your stainless steel pool rails and ladders will provide years of service.

1. Regularly inspect and thoroughly clean mounting hardware, replacing when needed. Corrosion is common in crevices, weld points, under gaskets, and bolt heads, where small amounts of liquid can collect and become stagnant.
2. Routine cleaning is the only way to maintain the protective film on your stainless steel pool rails and ladders and prevent rust. Rust and corrosion occur when contaminants become trapped and embedded in the protective film.
3. Use warm water, a gentle soap or detergent and a soft cloth to briskly rub along the polish lines of the steel. Always be sure to thoroughly rinse after cleaning.
4. So-called "stainless steel cleaners" may scratch the surface and contain bleach, which can dull the surface

For stubborn spots: Allen Polish, Arcal 20, Bon Ami®, Cameo Stainless Steel Cleaner, Copper-Brite, Highlite, Lac-O-New, Liquid Nu Steel, Lumin Cleaner, O'Cedar Cream Polish, Penny-Brite, Revere Ware Cleaner®, Sta-Clean, Stainless Shine and Twinkle.

For extra-stubborn spots (these may scratch the surface): 3M® Stainless Steel Cleaner and Polish, Ajax®, Allchem, Concentrated Cleaner, Comet®, Goddard's Stainless Steel Care, Old Dutch, Soft Scrub®, Zud Restoro.

Powder Coated

Follow the above procedures for inspecting and maintaining stainless steel pool rails and ladders that are powder coated. For stubborn spots, you may use Formula 409.

SealedSteel

Follow the above procedures for inspecting and maintaining SealedSteel rails and ladders. To clean, you may use alcohol or other common household cleaners such as Formula 409, Lysol® or Pine-Sol®.

Pool Slides

S.R.Smith swimming pool slides will not fade and will provide years of fun for your family with the proper maintenance.

1. When hosing down your deck, rinse your slide free of any dust, dirt or other debris that may have accumulated.
2. Be sure all connections are secure, and tighten hardware if necessary.
3. "Intended Use" and "Warning" labels should be maintained. If they become faded or unreadable, they should be replaced. Additional labels are available from S.R.Smith upon request.
4. You may also use a non-abrasive soap and water when possible. Always try a test spot of a product before applying to a larger area and read the label instructions on any cleaner carefully before applying it to the slide.

You may safely use: Windex® with Ammonia®, Formula 409®, Fantastik®, Soft Scrub®, Scrubfree, Tackle®, Grass Plus®, Topjob®, Tilex®.

Do not use: Dow with Scrubbing Bubbles®, Lysol® Disinfectant, Ajax® Cleanser, Windex® with vinegar, White Cap®, Ajax® Liquid, Soft Scrub®.

WetDek

Water Testing

It is recommended that you test your WetDek water regularly with an accurate test kit or test strips. These are available from your local Pool & Spa Dealer. Also, be sure to follow chemical manufacturer's instructions for chemical use.

pH Control

All water solutions have pH, which is a measure of the acid to base relationship. A pH reading of 7.0 is neutral, a lower reading is acidic and a higher reading is basic. The proper pH for WetDek water is between 7.4 and 7.6. High pH (above 7.6) can reduce sanitizer efficiency, cloud the water, promote scale formation on surfaces and equipment, and interfere with filter operations. When pH is too high, add a pH decreaser. Low pH (below 7.2) is equally damaging and can cause equipment corrosion, water that is irritating, and rapid sanitizer dissipation. Add pH increaser to bring the pH higher.

It is important to use scale and stain inhibitor weekly to prevent calcium deposits from damaging your WetDek and equipment. If this happens, it could void the warranty. Refer to your chemical handbook for further information on water chemistry and troubleshooting.

Draining the Water

Locate spigot between the chlorinator and valve manifold. Attach garden hose and open valve. The controller should be set to recirculation during draining. Any water that the pump does not remove should be sucked out with a wet/dry vacuum.

Filter Maintenance

At least once a four week, (or more often based on environmental conditions) check and clean the skimmer basket of the pump to insure proper flow. Remove leaves, foreign matter and debris when present. It is also very important to maintain your WetDek filter cartridge clean and free of particles that can obstruct water flow. A clean filter will permit the system to function properly and also allows more efficient filtering. Depending on how frequently your WetDek is used, we recommend cleaning the WetDek filter cartridge every four to six weeks. If this is not done, the filter may clog and restrict water flow, which causes inadequate filtration and poor nozzle performance.

Cleaning the Filter

Carefully pull up the filter cartridge and bring it out of the WetDek. Rinse cartridge using a garden hose. Rotate and separate filter pleats while spraying water to remove all debris possible. Let the filter dry and look for calcium deposits (scaling) or an oil film. If you find these, you will need to deep clean your filter cartridge with a "spa filter cleaning" solution to break down and remove mineral deposits and oils.

Winterization

You must winterize the WetDek when freezing temperatures are expected or if prolonged periods without use are expected; this will help protect all components. Water should be drained from the reservoir in the stand alone model, and water should be cleared from the pump, filter, chlorinator, and all piping. The balls in the nozzles should be rotated so that no water can drain into them and then tightened.

PoolSonix

Periodic testing (at least once a month) of PoolSonix is recommended to ensure the base unit and remote devices are functioning properly. It is also recommended that the batteries in the PoolSonix unit be replaced with alkaline batteries once a year. The solar panel should be kept free of debris and the proper water level of your pool should always be maintained. For more information regarding how to test your PoolSonix unit, please see your installation instructions and owner's manual.

Terms and Conditions of Sale

Introduction

These Terms and Conditions of Sale apply to S.R. Smith, LLC product purchased directly from S.R. Smith, LLC. By purchasing such product(s) Buyer agrees to these Terms and Conditions of Sale. As all statements herein are subject to change, without prior notice, check our website at www.srsmith.com for the latest Terms and Conditions of Sale. If you have questions about this policy, contact our customer service department at 800-824-4387.

Standard terms and conditions of sale

Goods sold by S.R. Smith, LLC are expressly subject to and conditioned upon the terms and conditions set forth below. Any different or additional terms set forth by Buyer, whether in Buyer's purchase order or another communication, are expressly rejected and will not be binding on S.R. Smith, LLC unless agreed to in writing by an authorized officer of S.R. Smith, LLC.

Sales and payment terms: Possession of a price list or other pricing information does not constitute an offer or agreement to sell. All prices, quotations and billing originated by S.R. Smith, LLC are in U.S. Dollars. All taxes, duties or other fees are the responsibility of the Buyer. Payment is due in Net 30 days on approved credit. Until credit is approved, payment must be made with the order. Cash in Advance (CIA) or Credit Cards are acceptable. A service charge of 1.5% per month (Annual percentage rate of 18%) will be charged on all past due accounts.

Acceptable forms of payment: All remittances must be in a single payment in the full amount of the invoice (adjusted for any debit memos approved by S.R. Smith LLC) and must be in accordance with the following requirements, (S.R. Smith, LLC Special Terms and Conditions excluded, ie. Early Buy):

- Wire or electronic fund transfer (referencing invoice number) and Buyer must be the originator of wire.
- Buyer company check (drawn on company account with company name).
- Third-party checks, bank checks, and foreign drafts will be accepted only if approved in advance in writing by the CFO of S.R. Smith, LLC and must have accompanying documentation that references invoices being paid.

Minimum orders: All orders less than \$50.00 will be charged a \$25.00 handling fee.

Security interest: Buyer hereby grants to S.R. Smith, LLC and S.R. Smith, LLC reserves, a purchase money security interest in each product sold by S.R. Smith, LLC to Buyer in the amount of its purchase price. Any such security interest shall be satisfied by payment in full of the invoiced amount. Buyer agrees to execute any and all such documents, including financing statements, as may be necessary for S.R. Smith, LLC to protect such security interest.

Prices: Products and services will be invoiced at prices in effect as of date of shipment (invoice date). Prices are not necessarily valid for other current and future sales. Any and all invoice errors must be disputed within 15 days of invoice date and are subject to correction by S.R. Smith, LLC, at its sole discretion. Prices exclude any present or future federal, state, provincial, local, or other governmental taxes, duties, and tariffs applicable to the sale, transportation, or use of products purchased, all of which taxes, duties, and tariffs shall be paid by Buyer. International sales are subject to applicable transportation and import duties, licenses, and fees, or as agreed to by the purchase order. All prices are FOB shipping point. S.R. Smith, LLC has established a Minimum Advertised Price (MAP) Policy on certain S.R. Smith, LLC products. The policy applies to all reseller and distributors of S.R. Smith, LLC products under applicable laws. For complete details about S.R. Smith, LLC's MAP Policy, please consult your sales representative.

Change in Buyer's financial condition: Buyer agrees to notify S.R. Smith in writing of any material changes to its financial condition.

S.R. Smith, LLC reserves the right to cancel an order or require full or partial payment if (1) solvency of Buyer is in question; (2) Buyer files for bankruptcy; (3) there is an appointment of trustee or receiver for Buyer. S.R. Smith, LLC also reserves the right to cancel Buyer's credit at anytime.

Delivery, title, and risk of loss: All shipments will be FOB shipping point, and title and risk of loss will pass to Buyer when accepted for shipment by the freight company. On-time shipment is dependent upon Buyer promptly supplying all necessary documentation. S.R. Smith, LLC will ship via its preferred carrier. S.R. Smith, LLC reserves the right to make partial shipments unless specifically stated otherwise on Buyer's purchase order. S.R. Smith, LLC will determine the point of shipment. Products may ship from multiple locations.

Excusable delays: S.R. Smith, LLC shall use commercially reasonable efforts to deliver all products ordered by Buyer as soon as reasonably practical. In the event of interruption of any such delivery due to causes beyond the reasonable control of S.R. Smith, LLC, including but not limited to fire, labor disturbances, riots, accidents, or inability to obtain necessary materials or components, S.R. Smith, LLC shall have the right, in its sole discretion and upon oral or written notice to Buyer, to delay or terminate such delivery.

Freight damaged goods: Buyer must inspect all goods before signing the delivery receipt. If goods are obviously damaged, the Buyer should refuse the specified damaged products. If concealed loss or damaged is discovered, report it promptly to the delivery carrier. Follow up with written confirmation to the carrier. Hold shipping cartons and contents for inspection in as close to the same condition as they were when the loss or damage was discovered. If the report is not made within 7 days after delivery, the burden of proof will shift to the consignee (Buyer) and it will then be the responsibility of the Buyer/consignee to prove that the loss or damage did not occur

after the delivery of shipment. All shipments include a consignee form which clearly states that the consignee must refuse shipment if it is damaged. The consignee has 7 days to file a claim with the carrier, and not SR Smith. After 7 days, the consignee accepts full responsibility for any loss or damage of the shipment.

Shortages: Buyer must notify S.R. Smith, LLC Customer Service Department of shortages within 7 business days. All claims for shortages shall be waived and released after 7 business days of receipt. At S.R. Smith, LLC's option, shipment will be fulfilled or a credit will be mailed to Buyer within 30 days of claim receipt.

Product Return Policy

S.R. Smith, LLC products* held for less than ninety (90) days from the ship date may be returned for a credit of the purchase price minus a restocking fee of 25%. All returns must be authorized by the S.R. Smith, LLC warranty department and must have a corresponding RMA (Return Merchandise Authorization) number to qualify for this program. Products returned without the required elements referenced above will be rejected. The sender will be responsible for all freight costs associated with the return. All returns are subject to a restocking fee to cover the cost of returning product to saleable condition. Credit for the returned product, less restocking fee, will not be issued until the returned product(s) have been received, inspected and deemed suitable for resale. No returns will be accepted in the month of December or after the product has been in the possession of the customer for more than ninety (90) days.

*All Custom products and discontinued items are not eligible for returns.

Limitation of Liability

S.R. Smith, LLC's liability to Buyer on any claim of any kind, whether as a result of breach of contract, warranty, indemnity, tort (including negligence), strict liability, or otherwise, for any loss or damage arising out of, connected with, or resulting from the transaction, or from S.R. Smith, LLC's performance or breach thereof, or from the design, manufacture, sale, resale, installation, repair, operation, or use of any products furnished herein, shall in no event exceed the price paid by Buyer for the products which give rise to the claim. Any such liability shall terminate upon the expiration of the applicable warranty period, provided, however, that Buyer's rights to prove title in the products purchased from S.R. Smith, LLC shall not terminate. In no event, whether as a result of breach of contract, warranty, indemnity, tort (including negligence and strict liability), or otherwise, shall S.R. Smith, LLC or its suppliers be liable for any special, consequential, incidental, or penal damages, including but not limited to: loss of profit or revenues; loss of use of the products or any associated equipment; damage to associated equipment; cost of capital, substitute products, facilities, or services; downtime costs; or claims of Buyer's customer for such damage.

Disclaimer: S.R. Smith, LLC does not make any claims or warranties of any kind regarding any security product's potential, ability, or effectiveness to detect, minimize, or in any way prevent death, personal injury, property damage, or loss of any kind whatsoever. S.R. Smith, LLC is not responsible for any death, personal injury, damage, loss, or theft related to the product or its use or for any harm, whether physical or mental, related thereto. S.R. Smith, LLC does not represent that the product may not be compromised and/or circumvented, or that the product will prevent death, personal injury, bodily injury, and/or damage to property of purchaser or others resulting from burglary, robbery, fire, or otherwise, or that the product will in all cases provide adequate warning or protection.

Buyer understands that a properly installed and maintained product may only reduce the risk of events such as burglary, robbery, fire, or similar events without warning, but it is not insurance or a guarantee that such events will not occur or that there will be no death, personal injury, and/or property damage as a result. S.R. Smith, LLC shall not be liable for any death, personal injury, property damage, or loss of any kind what so ever to purchaser or others, whether directly, indirectly, incidentally, consequentially, or otherwise, caused by the operation, non-operation, functioning, malfunctioning, or misuse of the product.

Design changes: S.R. Smith, LLC reserves the right to make changes in design of any of its products without incurring any obligation to notify Buyer or to make the same change to units previously purchased.

Export laws: Buyer agrees to comply with all applicable export laws, assurances, codes and license requirements, and controls of the United States and other applicable jurisdictions in connection with the use and resale of S.R. Smith products including Buyer's acceptance of responsibility for the payment of any relevant taxes or duties, etc.

Governing law: These Terms and Conditions of Sale shall be governed by and construed and enforced in accordance with the laws of the State of Oregon. The invalidity or unenforceability of any provision of these Terms and Conditions of Sale by a court of competent jurisdiction, shall not affect the validity of the remainder of these Terms and Conditions of Sale, which shall at all times remain in full force and effect. Any litigation with regard to these Terms and Conditions of Sale shall be brought in the state or federal courts serving Clackamas County in Oregon. Buyer hereby stipulates and consents to the personal jurisdiction of the state and federal courts serving Clackamas County in Oregon.

Limited Warranty

S.R. Smith, LLC warrants to the original retail purchaser that products manufactured by S.R. Smith, when properly assembled and installed in accordance with S.R. Smith's assembly and installation instructions, and properly used and maintained, shall be free from defects in material and workmanship for a period of three (3) years from the date of original manufacture except for the following items: WetDek™ (1 year) and PoolSonix™ (2 years). The original retail purchaser must follow the procedure set forth below when submitting a warranty claim. S.R. Smith will repair or replace, at its option, the product, and return it to the owner freight prepaid. Determination of repair or replacement shall be solely at the discretion of S.R. Smith. Aquatic lift systems, components and batteries have a separate warranty, set forth below.

All Aquatic Lifting Systems have a three (3) year warranty on the frame, excluding the powder coated paint finish, which may become scratched with normal use. All electronic and motor components, with the exception of batteries, have a full two (2) year warranty. Within the warranty period, S.R. Smith will repair or replace any item deemed to be found defective. Lift batteries come with a one-year pro-rated warranty. During the first 90 days of ownership, batteries will be covered 100%. If a battery failure occurs between day 91 and day 365, batteries are covered at 50% of the original cost. Normal maintenance and care of the unit, including charging of the battery when not in use is recommended. Do not store the unit, battery or components near or around chemicals.

The warranty is non-transferable and is subject to the following terms and conditions (View complete S.R. Smith Terms & Conditions):

S.R. Smith shall not be responsible for the cost of removal or replacement of any defective S.R. Smith product, nor for any other expenses or for damages which might be incurred in such removal and replacement.

This warranty specifically excludes fading of materials, microbiological staining of diving boards or pool slides and rust or corrosion of any metallic products or parts. Refer to S.R. Smith care and maintenance instructions for regular maintenance and cleaning of S.R. Smith Products. Maintenance instructions can be found at www.srsmith.com/care.php.

This warranty relates only to defects in materials and workmanship and does not include damage or failure resulting from other causes, including, but not limited to Acts of God, misuse or abuse, accident or negligence, fire, improper assembly or installation, chipping or flaking of powder or vinyl coatings, or ice damage. Damage induced by the improper use of chemicals is not covered by this warranty. In the event that products are altered or repaired by anyone without the prior written approval of S.R. Smith, all warranties are void.

IMPORTANT: WEIGHT LIMIT ON DIVING BOARDS, JUMP BOARDS, STANDS, SLIDES, LADDERS AND LADDER STEPS SHALL BE NOT MORE THAN 250 POUNDS. EXCEPTIONS:

FRONTIER IV BOARD AND BASE NOT MORE THAN 400 POUNDS. TURBOTWISTER AND TYPHOON SLIDES NOT MORE THAN 275 POUNDS. CYCLONE SLIDE NOT MORE THAN 175 POUNDS. VORTEX SLIDES NOT MORE THAN 325 POUNDS.

S.R. Smith shall not be liable for any consequential, special or incidental damages, including, but not limited to any damages for loss of use of pools or injury to person or property, and any claims therefore are hereby specifically disclaimed and excluded. Some states do not allow the exclusion or limitation of incidental, special or consequential damages, so the above limitation or exclusion may not apply to you. This warranty gives you specific legal rights and you may also have other rights, which may vary from state to state. The warranty is extended to, and enforceable only by the original retail purchaser.

If any S.R. Smith products fail during the warranty period as a result of a defect in material or workmanship covered by this warranty, the original retail purchaser must notify S.R. Smith via www.srsmith.com/warranty.php. This notice from the original retail purchaser must contain all pertinent product information as outlined in the warranty claim form. S.R. Smith will determine if the product is to be returned to the factory or will ask that (1) the defective area and (2) the part of the product stamped with the serial number be removed and returned. Product pieces must be cleaned and returned freight prepaid to S.R. Smith's facility at either 1017 SW Berg Parkway, Canby, OR 97013 or 105 Challenger Drive, Portland, TN 37418 as determined by S.R. Smith.

THE WARRANTY SET FORTH HEREIN IS IN LIEU OF ALL OTHER WARRANTIES, EXPRESSED OR IMPLIED, WHICH ARE HEREBY DISCLAIMED AND EXCLUDED, INCLUDING WITHOUT LIMITATION ANY WARRANTY OF MERCHANTABILITY OR FITNESS FOR A PARTICULAR PURPOSE OR USE.

THE SOLE AND EXCLUSIVE REMEDIES FOR BREACH OF ANY AND ALL WARRANTIES WITH RESPECT TO THE PRODUCTS SHALL BE LIMITED TO REPAIR OR REPLACEMENT AT S.R. SMITH'S DESIGNATED FACTORY OR IN PLACE AT S.R. SMITH'S OPTION. IN NO EVENT SHALL S.R. SMITH'S LIABILITY EXCEED THE ENTIRE AMOUNT PAID TO S.R. SMITH BY THE ORIGINAL PURCHASER FOR THE FAILED OR DEFECTIVE PRODUCT.

IN NO EVENT SHALL S.R. SMITH BE LIABLE FOR ANY INCIDENTAL, CONSEQUENTIAL, SPECIAL, INDIRECT, PUNITIVE OR EXEMPLARY DAMAGES OR LOST PROFITS FROM ANY BREACH OF THIS LIMITED WARRANTY OR OTHERWISE.

No representative of S.R. Smith, nor any of its agents, distributors or dealers has any authority to alter in any manner the terms of this warranty and S.R. Smith is not responsible for any undertaking, representation or warranty made by any other person beyond the warranty expressly set forth in this warranty.

Index

Numbers

2/3 Meter Deck Level Stand	12	FreeStyle	22
2-Bend rails	60	Frontier II jump stand	24
2-Bend Heavy-duty rails	61	Frontier IV board	35
3-Bend rails	61	Fusion jump platform	26
3-Bend Heavy-duty rails	61	HipHop	22
A		Salt Pool Jump System	28
Accessibility products	2-9	Steel Meter Stands	30
Accessories	8	Supreme Stand	32
aXs	6	U-Frame Stands	34
Handy Lift	7	Diving envelope – Commercial ANSI/NSPI-1 Standards	39
Order Form	9	Diving envelope – Residential ANSI/NSPI-5 Standards	40
PAL	4	Diving towers	16
Splash!	5	Diving board tread repair kits	130
Anchor flanges, aluminum and plastic	129	DMS-100 Hand Rails	63
Anchors	122-125	DMS-101 Hand Rails	64
AquaBlast slide	88	DMS-102 Hand Rails	64
AquaDirector control box	121	DMS-103 Hand Rails	65
aXs	6	Dock ladder	55
B		E	
Basketball games	50-51	Easy-Out ladder	56
Basketball game parts	51	Econoline 1 Meter Stand	18
BigRide slide	90	Economy ladder	56
Boards & Stands Selector	38	Epoxy kits	130
Board identification guide	42-44	Escutcheons	125
Bumpers	129	Eureka diving board	36
C		Exercise bars, commercial	65
Caddy (pool lift)	8	Exercise bars, residential	66
California Pacific Pretzel rails	62	F	
Camelback ladder	54	Fibre-Dive diving board	36
Cantilever jump stand	14	Figure 4 rails	66
Cantilever lifeguard chair	74	Flyte-Deck II stand, diving	20
Care of products	136	FreeStyle diving board	36
Cleaning of products	136	Frontier II diving board	36
Commercial ladder	54	Frontier II jump stand	24
Commercial ring rails	62	Frontier III diving board	36
Custom rails	60	Frontier IV diving board	35
Cyclone slide	92	Fulcrum settings for diving boards	38
D		Fusion diving board	37
Dade County ladder	55	Fusion jump platform	26
Deck jets, bronze	120	G	
Deck Mounted Stair Rails	63	Games	48
Deluxe 1 & 3 Meter Towers	16	Volleyball	49
Diving boards	36-37	Basketball	50-51
Eureka	36	Glas-Hide diving board	37
Fibre-Dive	36	Guardian lifeguard chair	75
FreeStyle	36	H	
Frontier II	36	Handrails	60-69
Frontier III	36	Handy Lift	7
Frontier IV	37	HipHop diving board	22
Fusion	37	I	
Glas-Hide	37	Institutional lifeguard chair	76
HipHop	37	J	
Olympian	37	Jig identification guide	45-47
Swim Club	37	Jump stands	14, 24, 28, 32
Diving board identification guide	42-44	L	
Diving stands, commercial		Ladders	54-59
2/3 Meter Deck Level Stand	12	Camelback ladder	54
Deluxe 1 & 3 Meter Towers	16	Commercial ladder	54
Econoline 1 Meter Stand	18	Dade County ladder	55
Steel Meter Stands	30	Dock ladder	55
U-Frame Stands	34	Easy-Out ladder	56
Diving stands, residential		Economy ladder	56
Cantilever jump stand	14	On-ground ladder	56
Flyte-Deck II stand	20		

Parallel-look ladder	57	S	
Residential ladder	57	Safety pool steps	127
Snap-lok ladder	57	Salt Pool Jump System	28
Standard Plus ladder	58-59	SealedSteel rails	70
Legacy starting platforms	108	Security products	82-85
Legacy II starting platforms	110	Slides	86-105
Lifeguard chairs	72-81	AquaBlast slide	88
Cantilever	74	BigRide slide	90
Guardian	75	Cyclone slide	92
Institutional	76	RocketRide slide	94
Low Profile	77	Rogue slide	96
O-Series	78	Swim Club II slide	98
Outlook I & II	79	TurboTwister slide	100
Standard	80	Typhoon slide	102
Vista	81	Vortex slide	104
Low Profile lifeguard chair	77	Slide placement instructions	87
M		Snap-lok ladder	57
Mounting kits, residential boards	37	Spa rails	69
Mounting kits, commercial boards	37	Spineboard (pool lift)	8
O		Splash pad kits	120
Olympian diving board	37	Stability vest (pool lift)	8
On-ground ladder	56	Stanchions	71
O-Series lifeguard chair	78	Standard lifeguard chair	80
Outlook I lifeguard chair	79	Standard Plus ladder	58-59
Outlook II lifeguard chair	79	Starting platforms	106-117
P		Legacy	108
Parallel-look ladder	57	Legacy II	110
Pool alarm systems	82-85	RecordQuest	112
Pool lifts	2-9	Varsity Deluxe	114
aXs	6	Universal	116
Handy Lift	7	Steel Meter Stands	30
PAL	4	Supreme Stand	32
Splash!	5	Swim Club II slide	98
PoolSonix pool alarm	84	Swim Club diving board	37
P-rails	67	T	
PR-500 rails	67	Terms and conditions of sale	138
Pretzel rails	68	Treads	127-128
Q		Tread repair kits, diving board	130
Quick adjustable fulcrum	16	Towers, diving	16
R		TurboTwister slide	100
Rails	60-71	Typhoon slide	102
Custom rails	60	U	
2-Bend rails	60	U-frame fulcrum cover	34, 135
3-Bend rails	60	U-frame stands	34
2-Bend Heavy-duty rails	61	Universal starting platforms	116
3-Bend Heavy-duty rails	61	V	
California Pacific Pretzel rails	62	Varsity Deluxe starting platforms	114
Commercial Ring rails	62	Vista lifeguard chair	81
Deck Mounted Stair rails	63	Volleyball games	49
DMS-100 Hand rails	63	Volleyball game parts	49
DMS-101 Hand rails	64	Vortex slide	104
DMS-102 Hand rails	64	W	
DMS-103 Hand rails	65	Warranty	140
Exercise, Training & Therapeutic bars	65-66	Water features	118-121
Figure 4 rails	66	Water sport games	48
P-rails	67	Volleyball	49
PR-500 rails	67	Basketball	50
Pretzel rails	68	WetDek splash pads	120
Residential Ring rails	68		
Spa rails	69		
SealedSteel rails	70		
Stanchions	71		
Recessed steps	127		
RecordQuest starting platforms	112		
Residential ladder	57		
Residential Ring rails	68		
RocketRide slide	94		
RockSolid anchor	117		
Rogue slide	96		

Disclaimer:

While every effort was made to ensure accurate and up-to-date technical information, it is not possible to guarantee that all items will be accurate at all times. If there is any doubt as to the accuracy of any claim or information found in this catalog, the reader is responsible for verifying the accuracy prior to purchase and / or use of the product(s). Additionally, S.R. Smith reserves the right to make product changes as required during the normal course of business and those product changes may or may not be reflected in this catalog.



P.O. Box 400
1017 SW Berg Parkway
Canby, OR 97013 USA
PHONE: 503.266.2231
TOLL FREE: 800.824.4387
FAX: 503.266.4334
www.srsmith.com

© Copyright 2010 S.R. Smith, LLC. All rights reserved.
No part of this may be copied or reproduced without
the expressed written consent of S.R.Smith, LLC.

M-E-CAT-22 0110

