

Standard Crossbrace Plus Ladder



- Tubing: 1.90" OD or 1.50" OD (stainless treads only)
- Wall Thickness: .065", .109", or .145"
- Type: 304 stainless steel
- Bends: 4" radius
- Plastic (LTDF-106) or Stainless Steel (LTDF-103) tread

Plastic Treads

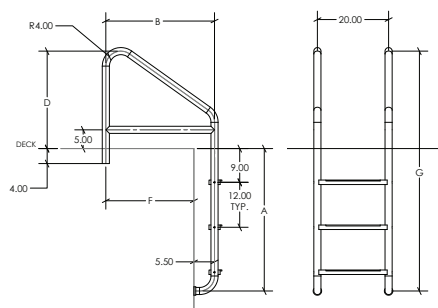
Plastic Treads



Stainless Treads

Item No.	Description	Shipping Wt.	L	W	H
10073 to 10075	23" 2-Step Cross Brace Ladder w/.065", .109, .145 tubing	36 lbs., 50, 66	61"	29"	2"
10076 to 10078	23" 3-Step Cross Brace Ladder w/.065", .109, .145 tubing	42 lbs., 58, 74	70"	28"	2"
10079 to 10081	23" 4-Step Cross Brace Ladder w/.065", .109, .145 tubing	46 lbs., 66, 82	82"	28"	2"
10082 to 10084	23" 5-Step Cross Brace Ladder w/.065", .109, .145 tubing	52 lbs., 72, 90	90"	28"	2"
10085 to 10087	29" 2-Step Cross Brace Ladder w/.065", .109, .145 tubing	38 lbs., 56, 70	59"	39"	2"
10088 to 10090	29" 3-Step Cross Brace Ladder w/.065", .109, .145 tubing	44 lbs., 64, 78	85"	39"	2"
10091 to 10093	29" 4-Step Cross Brace Ladder w/.065", .109, .145 tubing	50 lbs., 70, 86	85"	39"	2"
10094 to 10096	29" 5-Step Cross Brace Ladder w/.065", .109, .145 tubing	56 lbs., 78, 94	85"	39"	2"
10097 to 10099	35" 2-Step Cross Brace Ladder w/.065", .109, .145 tubing	42 lbs., 62, 78	59"	39"	2"
10100 to 10102	35" 3-Step Cross Brace Ladder w/.065", .109, .145 tubing	46 lbs., 70, 86	76"	40"	2"
10103 to 10105	35" 4-Step Cross Brace Ladder w/.065", .109, .145 tubing	52 lbs., 78, 94	76"	40"	2"
10106 to 10108	35" 5-Step Cross Brace Ladder w/.065", .109, .145 tubing	58 lbs., 84, 102	76"	40"	2"

Stainless Steel Treads



plastic

MODEL NUMBER	A	B	D	F	G
10073 TO 10075	28.00	23.00	26.00	17.50	54.00
10076 TO 10078	40.00	23.00	26.00	17.50	66.00
10079 TO 10081	52.00	23.00	26.00	17.50	78.00
10082 TO 10084	64.00	23.00	26.00	17.50	90.00
10085 TO 10087	28.00	29.00	26.00	23.50	54.00
10088 TO 10090	40.00	29.00	26.00	23.50	66.00
10091 TO 10093	52.00	29.00	26.00	23.50	78.00
10094 TO 10096	64.00	29.00	26.00	23.50	90.00
10097 TO 10099	28.00	35.00	31.00	29.50	59.00
10100 TO 10102	40.00	35.00	31.00	29.50	71.00
10103 TO 10105	52.00	35.00	31.00	29.50	83.00
10106 TO 10108	64.00	35.00	31.00	29.50	95.00

stainless

MODEL NUMBER	A	B	D	F	G
10109 TO 10111	28.00	23.00	26.00	17.50	54.00
10112 TO 10114	40.00	23.00	26.00	17.50	66.00
10115 TO 10117	52.00	23.00	26.00	17.50	78.00
10118 TO 10120	64.00	23.00	26.00	17.50	90.00
10121 TO 10123	28.00	29.00	26.00	23.50	54.00
10124 TO 10126	40.00	29.00	26.00	23.50	66.00
10127 TO 10129	52.00	29.00	26.00	23.50	78.00
10130 TO 10132	64.00	29.00	26.00	23.50	90.00
10133 TO 10135	28.00	35.00	31.00	29.50	59.00
10136 TO 10138	40.00	35.00	31.00	29.50	71.00
10139 TO 10141	52.00	35.00	31.00	29.50	83.00
10142 TO 10144	64.00	35.00	31.00	29.50	95.00

Item No.	Description	Shipping Wt.	L	W	H
10109 to 10111	23" 2-Step Cross Brace Ladder w/.065", .109, .145 tubing	36 lbs., 50, 66	61"	29"	2"
10112 to 10114	23" 3-Step Cross Brace Ladder w/.065", .109, .145 tubing	42 lbs., 58, 74	70"	28"	2"
10115 to 10117	23" 4-Step Cross Brace Ladder w/.065", .109, .145 tubing	46 lbs., 66, 82	82"	28"	2"
10118 to 10120	23" 5-Step Cross Brace Ladder w/.065", .109, .145 tubing	52 lbs., 72, 90	90"	28"	2"
10121 to 10123	29" 2-Step Cross Brace Ladder w/.065", .109, .145 tubing	38 lbs., 56, 70	59"	39"	2"
10124 to 10126	29" 3-Step Cross Brace Ladder w/.065", .109, .145 tubing	44 lbs., 64, 78	85"	39"	2"
10127 to 10129	29" 4-Step Cross Brace Ladder w/.065", .109, .145 tubing	50 lbs., 70, 86	85"	39"	2"
10130 to 10132	29" 5-Step Cross Brace Ladder w/.065", .109, .145 tubing	56 lbs., 78, 94	85"	39"	2"
10133 to 10135	35" 2-Step Cross Brace Ladder w/.065", .109, .145 tubing	42 lbs., 62, 78	59"	39"	2"
10136 to 10138	35" 3-Step Cross Brace Ladder w/.065", .109, .145 tubing	46 lbs., 70, 86	76"	40"	2"
10139 to 10141	35" 4-Step Cross Brace Ladder w/.065", .109, .145 tubing	52 lbs., 78, 94	76"	40"	2"
10142 to 10144	35" 5-Step Cross Brace Ladder w/.065", .109, .145 tubing	58 lbs., 84, 102	76"	40"	2"

Note: Frames extend 4 1/2" from the pool wall. Frame is secured to the pool deck with two anchor sockets on 20" centers. Lower end of frame is bent to meet pool wall and fitted with two white rubber bumpers

