

SWIM-N-DUNK & COMMERCIAL BASKETBALL GAMES

ASSEMBLY AND INSTALLATION INSTRUCTIONS



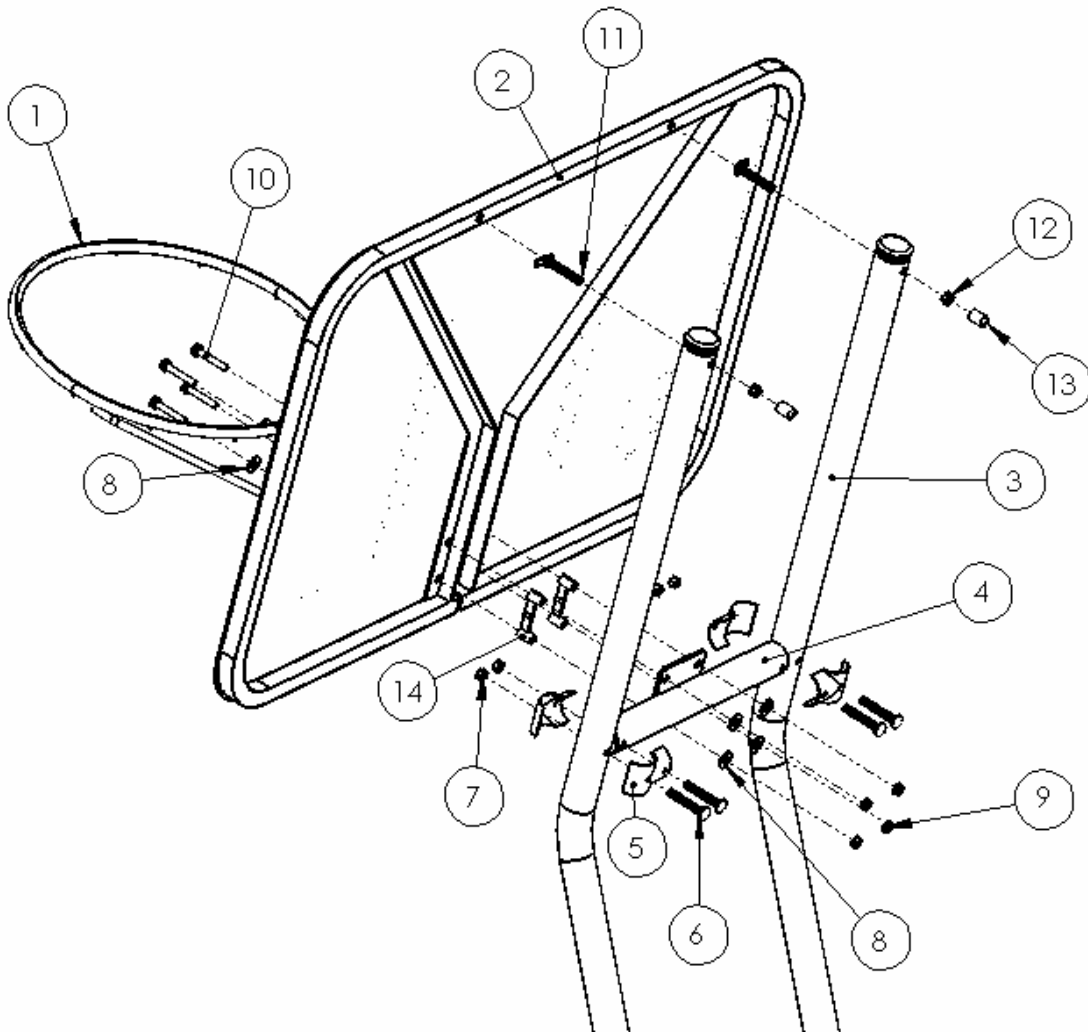
**CORPORATE HEADQUARTERS
WESTERN SALES AND MANUFACTURING PLANT
P.O. Box 400 • 1017 SW Berg Parkway
Canby, Oregon 97013
(503) 266-2231 • (503) 266-4334
www.srsmith.com**

INTRODUCTION

The Commercial and Swim-N-Dunk Basketball Games are designed for use on in-ground pools in shallow water depth areas. Proper and complete assembly, use and supervision is essential for proper operation and to reduce the risk of accident or injury.

****IMPORTANT****

Check entire boxes and inside all packing materials for parts. Before beginning assembly, read the instructions and identify parts using the figures and parts listed in this document. It is critical that all parts be carefully inspected by the installer prior to installation to ensure that no damage occurred in transit and that a damaged part is not used. Proper installation cannot be overstressed, as an improper installation voids S.R. Smith's warranty and may affect the safety of the user.



COMMERCIAL AND SWIM-N-DUNK PARTS LIST

ITEM #	PART #	DESCRIPTION	QTY.
1	SPG-101	Basketball Rim & Net	1 ea.
2	SPG-100	Basketball Backboard	1 ea.
3	20-110/20-132*	Basketball Post Assembly (*Commercial Post Assembly)	2 ea.
4	20-104	Basketball Post Cross Brace	1 ea.
5	2019061	Split Tee Half	4 ea.
6	2020049	3/8" x 2-1/2" Carriage Bolt	4 ea.
7	5-139	3/8" Hex Nut S/S	4 ea.
8	05-33-114	7/16" x 1" Flat Washer	8 ea.
9	05-33-115	5/16" Hex Flange Nut	4 ea.
10	5-302	5/16"-18 x 2" Hex Flange Bolt	4 ea.
11	5-105	3/8" x 2-1/2" S/S L Bolt w/Pushnut Bolt Retainer	2 ea.
12	5-141	3/8" Lock Nut S/S	2 ea.
13	05-608	3/8" x 1" Nut Cap, Black	2 ea.
14	6-630	5/16" Dual Plastic Spacer	2 ea.
15	SPG-102	Basketball (not pictured)	1 ea.
16	SPG-103	Basketball Needle (not pictured)	1 ea.

NOTE: Two in-deck plastic anchors (AS-100P) for concrete decks are required to install the game.

ASSEMBLY INSTRUCTIONS

1. Begin by locating the basketball posts and the cross brace as shown in **FIGURE 1**. Attach the cross brace to the posts with the stainless steel split tees and hardware as shown in **FIGURE 2**.

2. Insert a 3/8" L bolt w/pushnut into each hole drilled in the top of the backboard frame. With the L bolts inserted in each hole, press the pushnut up against the backboard frame to hold the L bolt in place.

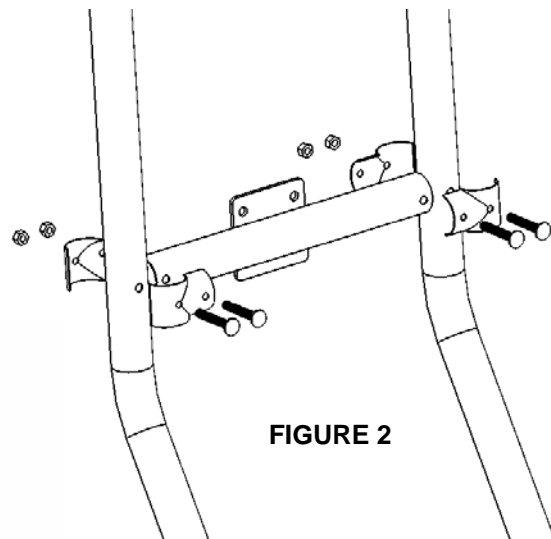


FIGURE 2

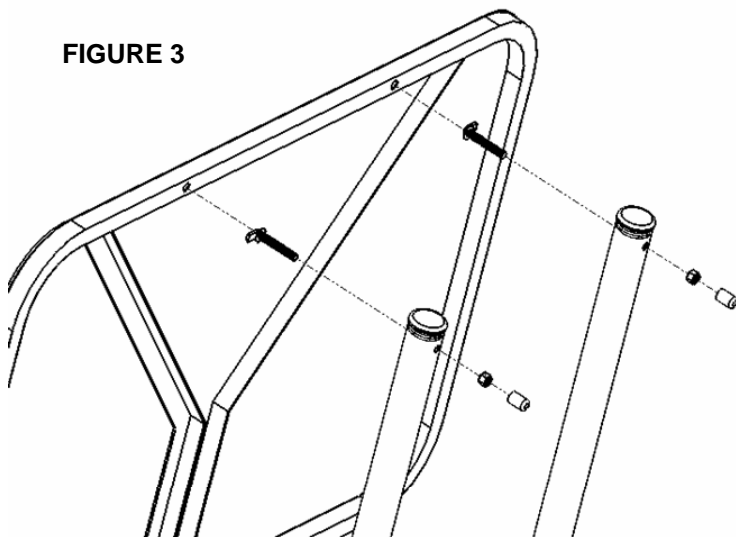


FIGURE 3

3. Attach the backboard to the posts by placing the L bolts through the top holes of the posts as shown in **FIGURE 3** and fastening with the 3/8" lock nuts. Do not completely tighten at this time. Do not place the black nut caps over the lock nuts until later in the assembly process.

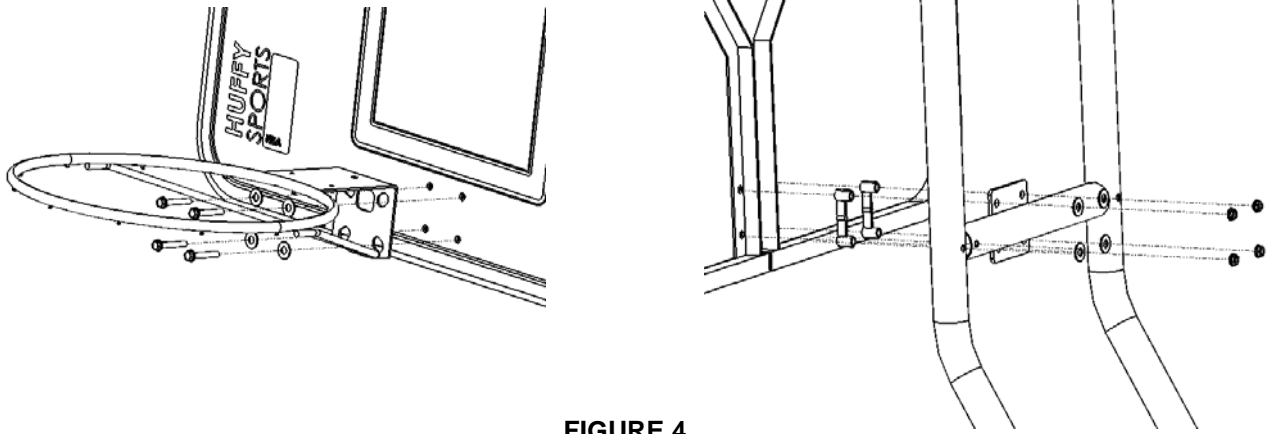


FIGURE 4

4. Install the net to the rim. Refer to page 3 of the Huffy Sports Rim Owners Manual for the proper installation procedures.

5. Attach the rim to the front of the backboard and to the post assembly on the opposite side of the backboard with the 5/16" bolts, flat washers and nuts as shown in **FIGURE 4**. NOTE: Remove the protective film from the front face of the backboard before mounting the rim. Make sure to place the 5/16" plastic spacers between the backboard frame and the plate of the cross brace.

6. Fully tighten all hardware. Place the black nut caps over the 3/8" lock nuts.

7. The Swim-N-Dunk and Commercial Basketball units are to be anchored to the deck using 6 inch deep AS-100P anchor sockets. Install the anchors in the pool deck 17-1/2 inches apart on center and 12 inches back from the pool's edge for the Swim-N-Dunk and 18 inches for the Commercial as shown in **FIGURE 5**. Properly ground the anchor sockets using the attached grounding screw and the appropriate grounding wire per local codes. Allow concrete to cure before installing the Swim-N-Dunk or Commercial Basketball unit.

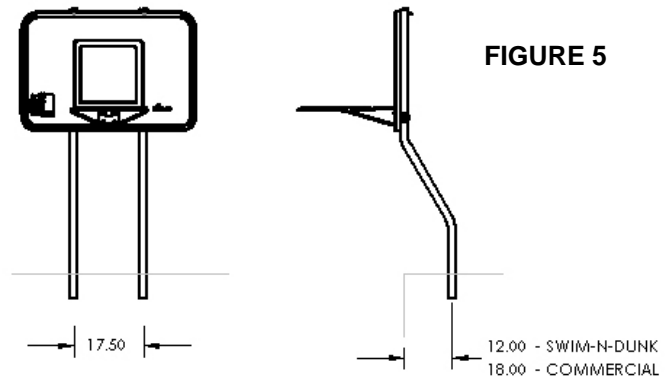


FIGURE 5

8. Place the basketball assembly into the anchor sockets installed in the pool deck. Each anchor socket has a removable cap, which needs to be removed before inserting the assembly. The cap can be removed by inserting a small flat blade screwdriver into the groove between the anchor socket and the cap and prying up. NOTE: When removing the basketball assembly from the anchors make sure to place the caps in the anchors.

SAFETY INSTRUCTIONS

- This equipment is intended for use in shallow water depth areas.
- During play, do not wear jewelry (rings, watches, necklaces, etc.) Objects may entangle in net.
- Do not dive or jump from any part of unit, including backboard support braces or rim.
- Periodically inspect the rim, backboard and posts to assure there are no worn parts and that all hardware is properly tightened.