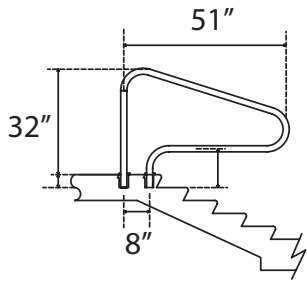
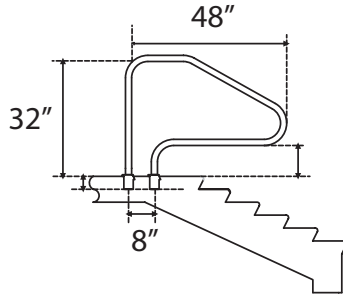


# S.R. SMITH RAIL CONFIGURATIONS

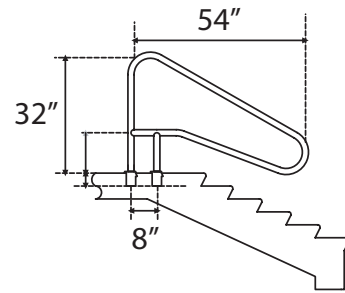
DMS-100



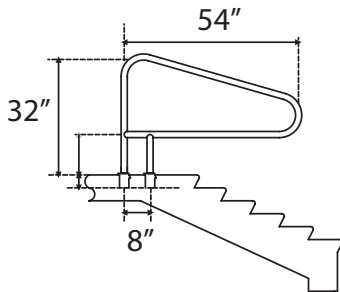
DMS-101



DMS-102



DMS-103



RRH (PAIR)  
DECK MOUNTED HANDRAIL

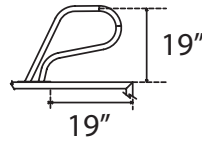
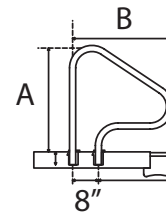
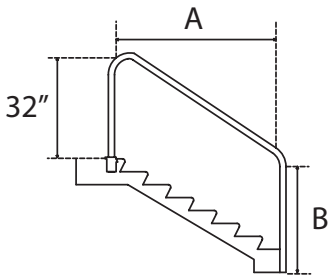


FIGURE 4



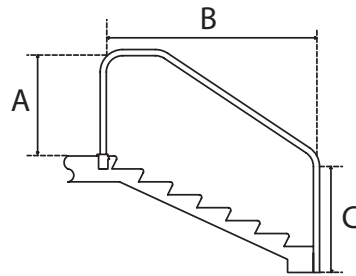
Model No.	A	B
F4H-100 (.065" wall)	32"	30"
F4H-101 (.049" wall)	32"	30"
F4H-102 (.049" wall)	29"	26"

2-BEND HANDRAIL



Model No.	A	B
2HR-4	4'	26"
2HR-5	5'	36"
2HR-6	6'	46"

3-BEND HANDRAIL



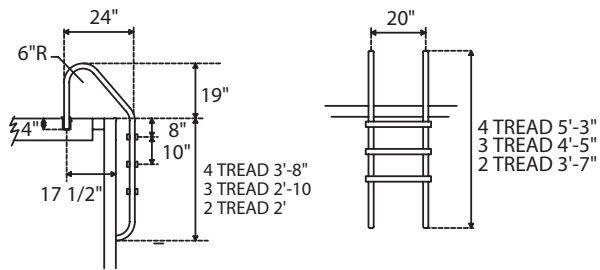
Model No.	A	B	C
3HR-4	32"	4'	26"
3HR-5	32"	5'	26"
3HR-5.5	32"	5'6"	29"
3HR-6	32"	6'	26"
3HR-6.5	34"	6'6"	29"
3HR-7	31"	7'	29"
3HR-8	34"	8'	33"

For more rail configurations,  
visit our website  
[www.srsmith.com](http://www.srsmith.com)

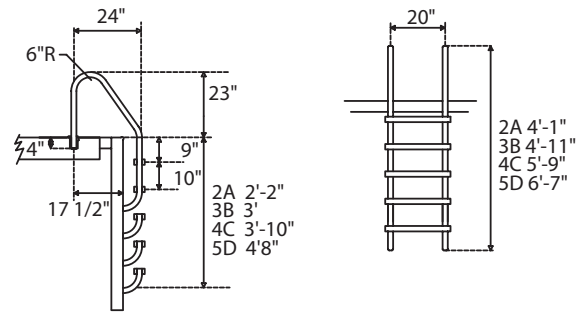


# S.R. SMITH LADDER CONFIGURATIONS

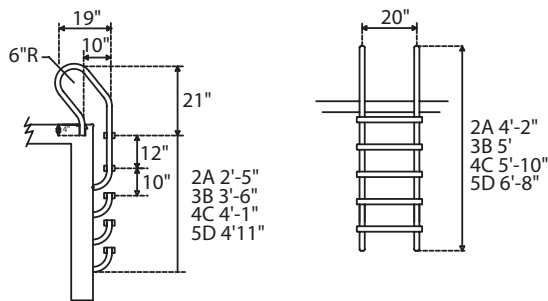
## VLLS Economy Ladder



## RLF Residential Ladder



## PLL Parallel Look Ladder



## CBL Camelback Ladder

