

Pool Lighting. Simplified.™



Pool Lighting.

Simplified.™



SOLUTIONS



SAVINGS



SIMPLICITY



SUPPORT

Show your pools in their best light
with simple lighting solutions that come
with savings and support.

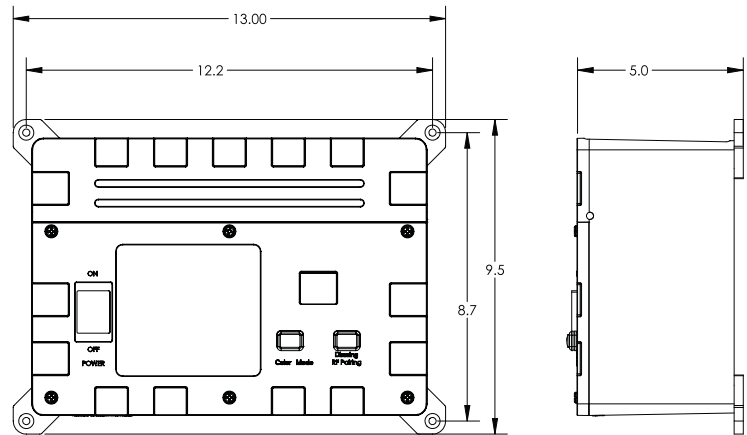
poolLUX™ Premier

poolLUX Premier provides advanced color control and dimming options for TREO, kēlo, micro, Fiberglass LED lights and Color Light Stream products.

- Capable of producing 49 colors and 2 light shows via wireless remote with color wheel
- Built in 12V power supply
- 6 color options and 2 light shows via control color mode button
- Exclusively for S.R.Smith LED lighting products
- Outdoor rated enclosure
- 10 channel, 50W system (5W max per channel)
- ETL Listed - Conforms to UL379 (Pool, Spa and Fountain Power Unit Standard) and certified to CSA C22.2#218.1



poolLUX®
PREMIER

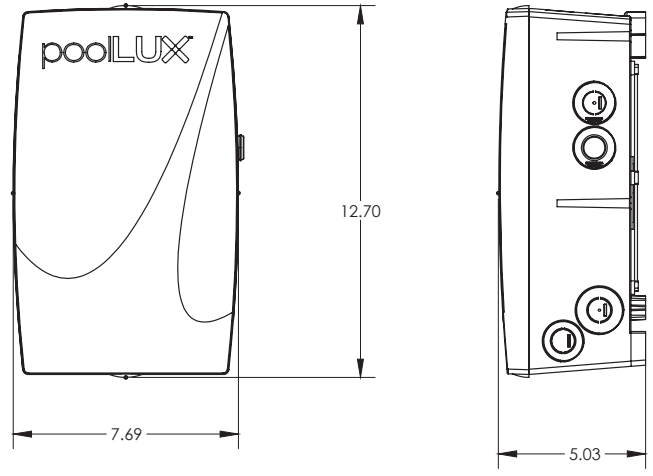


Model No.	Description	Shipping		
		Length	Width	Height
pLX-PRM	(1) poolLUX Premier with remote	15" / 38cm	12" / 30cm	8" / 20cm
poolLUX Plus Kits				
2TR-pLX-PRM	(1) poolLUX Premier with remote (2) TREO 80' RGB LED pool lights (1) Free micro 80' RGB LED pool light	24" 61cm	15" 38cm	18" 46cm
3TR-pLX-PRM	(1) poolLUX Premier with remote (3) TREO 80' RGB LED pool lights (1) Free micro 80' RGB LED pool light	24" 61cm	15" 38cm	18" 46cm

poolLUX™ Plus

poolLUX Plus combines power and lighting control in one simple system.

- Spread-spectrum wireless remote control with one-touch color sync for S.R.Smith LED lighting products
- (6) Colors and (2) Light Shows when used with S.R.Smith LED lights
- Built-in on/off switch increases convenience and can save on electrician costs
- Oversized wiring area for easy installation
- Convenient terminal strip wiring – no wire nuts required
- Corrosion resistant polycarbonate housing for harsh pool environments
- 60W or 100W options
- ETL Listed - Conforms to UL379 (Pool, Spa and Fountain Power Unit Standard) and certified to CSA C22.2#218.1

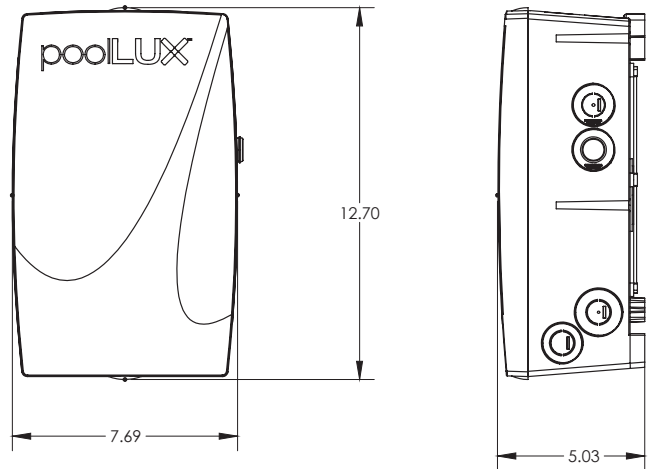


Model No.	Description	Shipping		
		Length	Width	Height
pLX-PL60	(1) poolLUX Plus 60 Watt with spread-spectrum wireless remote	15" / 38cm	12" / 30cm	8" / 20cm
pLX-PL100	(1) poolLUX Plus 100 Watt with spread-spectrum wireless remote	15" / 38cm	12" / 30cm	8" / 20cm
poolLUX Plus Kits				
2TR-pLX-PL60	(1) poolLUX Plus 60 Watt with spread-spectrum wireless remote (2) TREO 80' RGB LED pool lights (1) Free micro 80' RGB LED pool light	24" 61cm	15" 38cm	18" 46cm
3TR-pLX-PL60	(1) poolLUX Plus 60 Watt with spread-spectrum wireless remote (3) TREO 80' RGB LED pool lights (1) Free micro 80' RGB LED pool light	24" 61cm	15" 38cm	18" 46cm
2TR-pLX-PL100	(1) poolLUX Plus 100 Watt with spread-spectrum wireless remote (2) TREO 80' RGB LED pool lights (1) Free micro 80' RGB LED pool light	24" 61cm	15" 38cm	18" 46cm
3TR-pLX-PL100	(1) poolLUX Plus 100 Watt with spread-spectrum wireless remote (3) TREO 80' RGB LED pool lights (1) Free micro 80' RGB LED pool light	24" 61cm	15" 38cm	18" 46cm

poolLUX™ Power

poolLUX Power combines a transformer with switched lighting control.

- Power and lighting control in one unit
- Built-in on/off switch increases convenience and can save on electrician costs
- Oversized wiring area for easy installation
- Convenient terminal strip wiring – no wire nuts required
- Corrosion resistant polycarbonate housing for harsh pool environments
- 60W or 100W options
- ETL Listed - Conforms to UL379 (Pool, Spa and Fountain Power Unit Standard) and certified to CSA C22.2#218.1



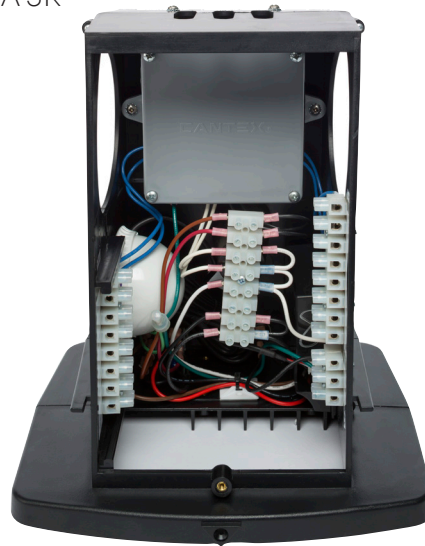
Model No.	Description	Shipping		
		Length	Width	Height
pLX-PW60	(1) poolLUX Power 60 Watt	15" / 38cm	12" / 30cm	8" / 20cm
pLX-PW100	(1) poolLUX Power 100 Watt	15" / 38cm	12" / 30cm	8" / 20cm
poolLUX Power Kits				
2TR-pLX-PW60	(1) poolLUX Power, 60 Watt (2) TREO 80' RGB LED pool lights (1) Free micro 80' RGB LED pool light	24" 61cm	15" 38cm	18" 46cm
3TR-pLX-PW60	(1) poolLUX Power, 60 Watt (3) TREO 80' RGB LED pool lights (1) Free micro 80' RGB LED pool light	24" 61cm	15" 38cm	18" 46cm
2TR-pLX-PW100	(1) poolLUX Power, 100 Watt (2) TREO 80' RGB LED pool lights (1) Free micro 80' RGB LED pool light	24" 61cm	15" 38cm	18" 46cm
3TR-pLX-PW100	(1) poolLUX Power, 100 Watt (3) TREO 80' RGB LED pool lights (1) Free micro 80' RGB LED pool light	24" 61cm	15" 38cm	18" 46cm

Power Tower LED Lighting Kits

The PT-6000 Lighting Kit includes a PT-6000 power center, a base, and 1, 2, or 3 color TREO LED pool lights. Select from 6 colors (white, blue, green, red, amber, and magenta) or 2 color changing modes (slow color change mode and party mode). The PT-6000 Lighting Kit allows for 2 groups of lights to be independently controlled, has a manual on/off switch, and remote control.



- Spread-spectrum wireless remote control with one-touch color sync for S.R.Smith LED lighting products
- Terminal block for secure connections – No need for wire nuts
- Corrosion-resistant polycarbonate enclosure rated NEMA 3R
- Low voltage internal transformers: 120VAC to 12VAC
- 60 Watt system (2 independent 30 Watt channels)
- ETL Listed conforms to UL 379 and certified to CSA C22.2#218.1

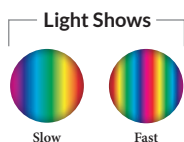
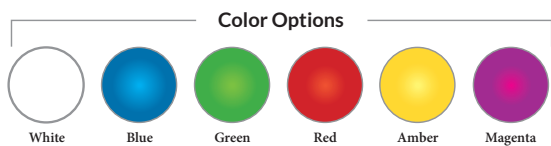
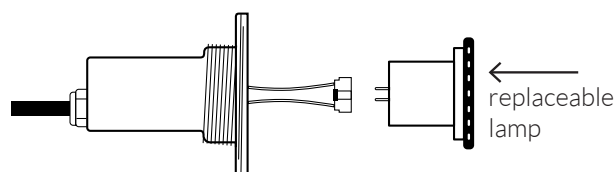
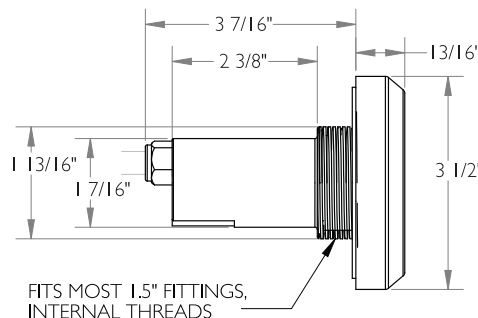


Model No.	Description	Shipping		
		Length	Width	Height
PT-6000	(1) PT-6000 power center (1) wireless remote	14" / 36cm	14" / 36cm	17" / 43cm
PT-BASE	(1) PT-6000 base	16" / 41cm	16" / 41cm	13" / 33cm
PT-6000 KITS				
1TR-PT-6000	(1) PT-6000 power center (1) wireless remote control (1) TREO 80' RGB LED pool light	24" 61cm	14" 36cm	17" 43cm
2TR-PT-6000	(1) PT-6000 power center (1) wireless remote control (2) TREO 80' RGB LED pool lights	24" 61cm	14" 36cm	17" 43cm
3TR-PT-6000	(1) PT-6000 power center (1) wireless remote control (3) TREO 80' RGB LED pool lights	24" 61cm	14" 36cm	17" 43cm

TREO LED Light

The TREO LED light is a 12VAC, 5 Watt LED underwater light for gunite, vinyl liner, and fiberglass pools with a replaceable LED lamp.

- Serviceable design - Replaceable LED lamp
- Designed for use with standard thread 1.5" diameter wall fittings
- Available in lengths of 30', 50', 80', 150'
- No earth bonding required
- White or color changing LED models available
- Color functions:
 - Advanced color functionality with poolLUX Premier: (49) color variations and dimming control (via wireless remote)
 - 12V controls: (6) colors (white, blue, green, red, amber, magenta) and (2) light shows
- Color memory function
- Five colored trim rings included to match the surface of your pool or spa
- 3 year warranty
- ETL Listed - Conforms to UL676, certified to CSA C22.2 #89

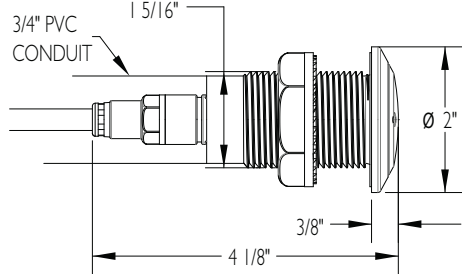


Model No.	Description
FLED-C-TR-30	TREO 30' RGB LED pool light
FLED-C-TR-50	TREO 50' RGB LED pool light
FLED-C-TR	TREO 80' RGB LED pool light
FLED-C-TR-150	TREO 150' RGB LED pool light
FLED-W-TR-30	TREO 30' White LED pool light
FLED-W-TR-50	TREO 50' White LED pool light
FLED-W-TR	TREO 80' White LED pool light
FLED-W-TR-150	TREO 150' White LED pool light
FLED-VK-TR	TREO vinyl adapter kit
FLED-LAU-C	RGB Replacement Lamp
FLED-LAU-W	White Replacement Lamp
FLED-C-TR-PK8	8 TREO RGB LED pool lights with 80' cord
FLED-W-TR-PK8	8 TREO White LED pool lights with 80' cord

micro LED Light

The micro LED light is 12VAC, 2 Watt LED underwater light designed for accent lighting applications for gunite, vinyl-liner and fiberglass pools.

- Available in lengths of 30', 50', 80', 150'
- No earth bonding required
- White or color changing LED models available
- Color functions:
 - Advanced color functionality with poolLUX Premier: (49) color variations and dimming control (via wireless remote)
 - 12V controls: (6) colors (white, blue, green, red, amber, magenta) and (2) light shows
- Color memory function
- Five colored trim rings included to match the surface of your pool or spa
- Designed for use with .75" diameter conduit - Includes wall fitting adapter
- 3 year warranty
- ETL Listed - Conforms to UL676, certified to CSA C22.2 #89



Color Options

White Blue Green Red Amber Magenta

Light Shows

Slow Fast

Ring Colors

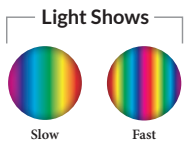
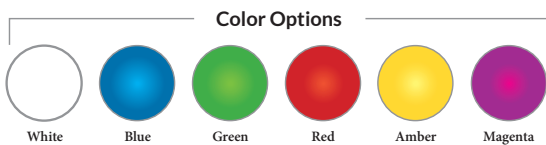
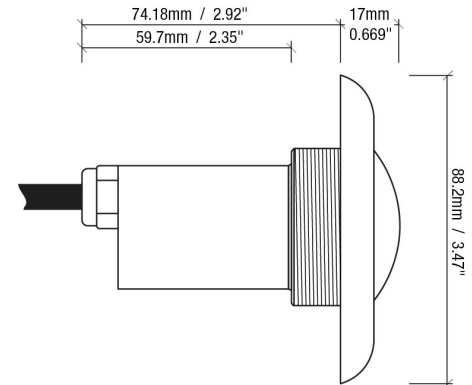
White Black Beige Gray Blue

Model No.	Description
FLED-TM-C-30	Micro 30' RGB LED pool light
FLED-TM-C-50	Micro 50' RGB LED pool light
FLED-C-TM	Micro 80' RGB LED pool light
FLED-TM-C-150	Micro 150' RGB LED pool light
FLED-TM-W-30	Micro 30' White LED pool light
FLED-TM-W-50	Micro 50' White LED pool light
FLED-TM-W	Micro 80' White LED pool light
FLED-TM-W-150	Micro 150' White LED pool light
FLED-FGGF-TM	Micro gunite fitting, 3/4" PVC
FLED-FA-TM	Microfitting adapter
FLED-TM-C-PK10	10 Micro RGB LED pool lights with 80' cord
FLED-TM-W-PK10	10 Micro White LED pool lights with 80' cord

kēlo LED Light

The kēlo LED light is a 12VAC, 7 Watt LED underwater light for gunite, vinyl liner, and fiberglass pools.

- Low profile design
- Designed for use with standard thread 1.5" diameter wall fittings
- Available in lengths of 80', 150'
- No earth bonding required
- Color functions:
 - Advanced color functionality with poolLUX Premier: (49) color variations and dimming control (via wireless remote)
 - 12V controls: (6) colors (white, blue, green, red, amber, magenta) and (2) light shows
- Color memory function
- Five colored trim rings included to match the surface of your pool or spa
- 3 year warranty
- ETL Listed - Conforms to UL676, certified to CSA C22.2 #89

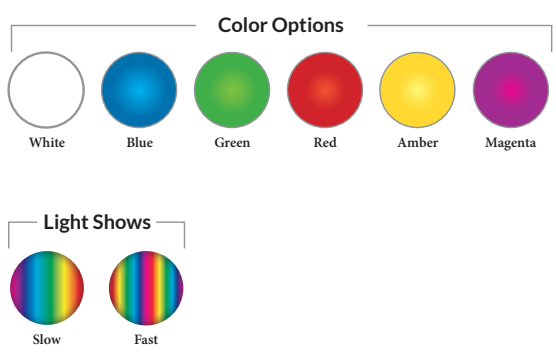
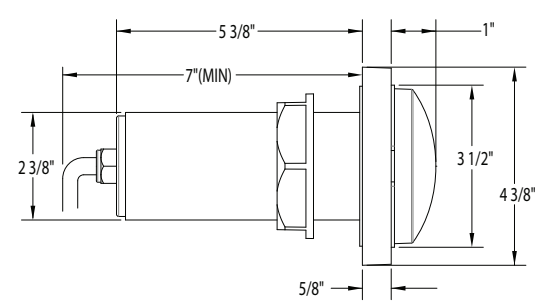


Model No.	Description
KLED-C-80	kēlo 80' LED pool light
KLED-C-150	kēlo 150' LED pool light

Fiberglass LED Light

The Fiberglass LED light is a 12VAC, 5 Watt LED underwater light for new construction fiberglass pools that features outstanding illumination qualities.

- Available in lengths of 30', 50', 80', 150'
- No earth bonding required
- White or color changing LED models available
- Color functions:
 - Advanced color functionality with poolLUX Premier: (49) color variations and dimming control (via wireless remote)
 - 12V controls: (6) colors (white, blue, green, red, amber, magenta) and (2) light shows
- Color memory function
- .75" or .5" conduit required
- 3 year warranty
- ETL Listed - Conforms to UL676, certified to CSA C22.2 #89



Model No.	Description
FLED-C-FG-30	Fiberglass 30' RGB LED pool light
FLED-C-FG-50	Fiberglass 50' RGB LED pool light
FLED-C-FG	Fiberglass 80' RGB LED pool light
FLED-C-FG-150	Fiberglass 150' RGB LED pool light
FLED-W-FG-30	Fiberglass 30' White LED pool light
FLED-W-FG-50	Fiberglass 50' White LED pool light
FLED-W-FG	Fiberglass 80' White LED pool light
FLED-W-FG-150	Fiberglass 150' White LED pool light
FLED-LAU-C	Fiberglass RGB replacement lamp
FLED-LAU-W	Fiberglass white replacement lamp
FLED-LC-FG	Clear snap-on cover

LED Star Floor Kits

The LED Star Floor Kit is a 12VAC, 5 Watt LED light source (CLS-2is) with a 25 point fiber optic transmission system for gunite pools.

- 25 Star Points
- Color functions:
 - Advanced color functionality with poolLUX Premier: (49) color variations and dimming control (via wireless remote)
 - 12V controls: (6) colors (white, blue, green, red, amber, magenta) and (2) light shows
- Memory function
- 100' of 12 Volt cable
- Deck box included
- ETL Listed - Conforms to UL 1598 and CSA C22.2 #250



Model No.	Description	Shipping		
		Length	Width	Height
CLSSFK-25	Star Floor Kit	17" / 43cm	17" / 43cm	18" / 46cm

