

custom rail **request**

Project Name

Distributor Name
Pool Supply Unlimited

Contact Name

Address

City

State

Zip

Phone

Fax

Email

Application:

Residential Commercial

Tubing: Outside Diameter

1.90" 1.50"

Wall Thickness

.049" .065" .109" .120" .145"

Grade

304 316L

Coating: Powder Coating*

White Taupe Rock Gray

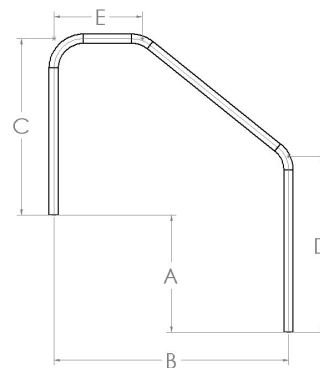
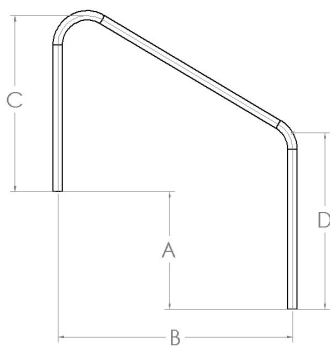
SealedSteel Vinyl*

White Taupe Gray

*Escutcheons not included.

Requested Handrail Pattern: 2-Bend

3-Bend



_____ A: The rise from the bottom of top leg to bottom of bottom leg

_____ B: The horizontal length from center of one leg to center of other leg

_____ C: Height of top leg (please include amount to be inserted into anchor)

_____ D: Height of bottom leg (please include amount to be inserted into anchor)

_____ E: Flat section at top of rail (for 3-Bend versions only)

Fax or e-mail completed form to Pool Supply Unlimited at (888) 648-5677 or sales@poolsupplyunlimited.com

toll free 877.325.0768
fax 615.323.1573
email customrails@srsmith.com

SR SmithTM